



INDEX

In 1976 Counter-Form LLC. began operations, focusing on a single goal: To make the highest quality postform countertop in the industry at an affordable price, while providing its customers with the best in service. Today, although techniques and product lines have changed, our goal remains the same. Counter-Form offers unsurpassed experience, from our office staff to our fabricators. We offer quick lead times and the best in customer service. Discover why Counter-Form is an industry leader.

Counter-Form crafts a complete line of ready-to-cut laminate slabs, custom, and cut-to-size laminate countertops with all the colors and patterns available from Wilsonart®, Arborite®, Formica®, Pionite®, and Nevamar®. We stock over 230 of their best-sellers and offer many different edge profiles. Counter-Form can fabricate an almost infinite array of creative possibilities.

On the surface, laminate countertops all look pretty much the same. It's what's underneath that separates Counter-Form from the rest! Constructed from the highest quality western pine industrial board, all of our countertops feature a 1/2" solid pine scribe for easier installation. Another unique feature is the vapor barrier strips we apply to the front and side edge to protect against moisture and chipping. With Counter-Form quality countertops, what you don't see makes all the difference!

BUTCHER BLOCK.....	45
BUTCHER BLOCK ORDER FORM.....	49
CARE & MAINTENANCE / 3-4-5 RULE.....	3
"D " EDGE / 180 ° EDGE.....	22
EDGE PROFILES.....	17
FINISH CODES.....	8
FLAT LAY-UP.....	36
LAMINATE SHEETS.....	42
MONARCH EDGE.....	29
NO DRIP EDGE.....	32
ORDER FORM.....	6
PREMIER EDGE.....	27
PRE-ORDER GUIDELINES.....	8
REGENT EDGE.....	28
ROLLED EDGE (TRIPLE COVE).....	18
ROMAN EDGE.....	26
SAMPLE BOARDS.....	10
SELF EDGE (SQ) W/LAMINATE OR PVC.....	34
SIDE SPLASH DIAGRAMS.....	44
SPLASHES / MISCELLANEOUS.....	43
STOCK COLOR LIST.....	9
TERMS & CONDITIONS.....	4
UPCHARGES PER LINEAL FOOT.....	12
WARRANTY.....	2
WEBSITE.....	5
WOOD EDGE.....	38





MANUFACTURER'S WARRANTY

Any of our products found to have a manufacturing defect within one year from purchase will be handled in the following manner:

1. We will ship, to our dealers "point of delivery", all materials supplied by us.
2. In as much as Counter-Form LLC has no control over installation or fabrication on the job, **no warranty is expressed or implied in reference to installation, plumbing or labor of any manner.**
3. At our option, before shipping materials, we may request to inspect the job.
4. All materials coming off the job become property of Counter-Form LLC.
5. Credit will be issued when countertops are returned to Counter-Form LLC and we have determined that it is a manufacturing defect.

IMPORTANT: BEFORE INSTALLING TOPS

- **Water damage voids the warranty! Installer/plumber must seal all raw exposed particle board.**
- **WARRANTY covers replacement of tops ONLY. No labor costs.**
- CHECK CONDITION OF TOPS BEFORE INSTALLING. If your tops came with poly on them, take the poly off and inspect tops before assembling.
- DRY FIT COUNTERTOPS and if there are any issues, DO NOT GLUE and ASSEMBLE.
- TOPS SHOULD BE SET ON LEVEL CABINETS AND ALLOWED TO ACCLIMATE. If tops were subject to high humidity, they may need more time to acclimate to the surrounding.
- MAKE SURE MITER JOINTS ARE CLEAN. Using a paint brush, COMPLETELY coat each raw edge of miter joint with waterproof glue.
- Quickly align tops and tighten miter bolts. Open times vary depending on glue manufacture. Splined Miters help with alignment but all miters have to be adjusted. While tightening each miter bolt, a small block of wood can be used to "TAP" on the deck of the countertop so laminate does not get damaged. Working from front to back, line up tops so laminate is flush, then tighten bolt, repeating for each bolt.
- Clean off excess glue with a damp cloth.
- Warranty is void if joints are not properly assembled.
- Color matched seamfill is available for final touch-up.
- TOPS ABOVE DISHWASHERS SHOULD BE SEALED. The area above the dishwasher is exposed to moisture. Vents on top of door can cause damage quickly.
- STOVES and COOKTOPS MUST BE SET AT A HEIGHT ABOVE THE COUNTERTOP. This will prevent end caps from high heat which could cause delamination.
- ALL FAUCET HOLES CUT NEED TO BE SEALED. Use a good silicone to seal all raw particle board exposed to prevent water damage.
- DO NOT EXPOSE MITER SEAMS TO STANDING WATER OR SET COFFEE POTS OVER SEAM. WATER DAMAGE IS PERMANENT AND IS NOT A WARRANTY ISSUE.

CARE & MAINTENANCE

1. Do not expose miter seams to standing water or set coffee pots over seam. Water damage is permanent and is not a warranty issue.
2. STOVES and COOK TOPS must be set at a height ABOVE the top of your counter top. This will prevent end caps from excessive heat that could cause them to release.
Tops above dishwashers should have area above dishwasher sealed to prevent moisture damage. Vents on top of door can cause damage quickly.
3. FAUCET HOLES - All holes drilled through the top MUST be sealed with silicone. All raw particle board must be sealed to prevent water damage.
4. Use a damp cloth or sponge with a mild NON ABRASIVE detergent for cleaning. Then rinse thoroughly and wipe dry with a clean soft cloth.
5. For tougher stains, a SOFT BRISTLED brush may be used. Abrasive cleaners WILL cause premature wear.
6. ALWAYS use a cutting board when slicing to avoid cuts & scratches. Any sharp object can scratch the surface.
7. ALWAYS use hot pads to protect the surface from hot pans, as enough heat will damage the surface.
8. NEVER SLIDE “stonewear” across the surface, as it is very abrasive, and will cause scratches and premature wear.
9. Polishes such as “Hopes Counter Top Polish” can help by reducing friction.
10. Certain household chemicals WILL DAMAGE the surface, including:

Toilet Bowl Cleaners
Drain Cleaners

White Vinegar
Hydrogen Peroxide

Oven Cleaners
Stain & Rust Removers

Bleach
Anti-Bacterial Formulas

If any of these items come in contact with the surface, IMMEDIATELY clean that area very thoroughly and wipe dry with a clean soft cloth. Following these guidelines, your countertop should remain looking new for many years.

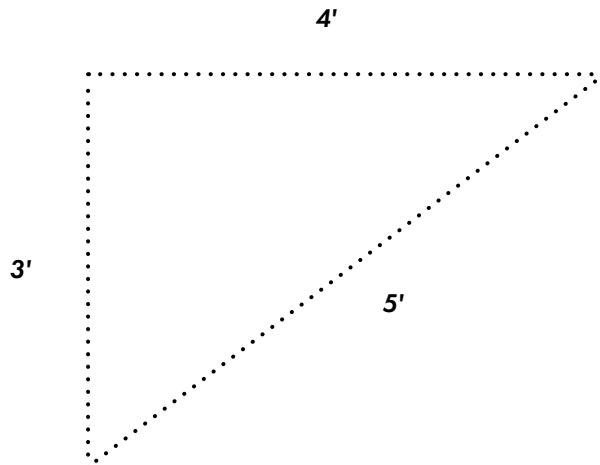
Special Tip

Always rinse laminate after cleaning! Failure to rinse after cleaning is the single greatest cause of damage to a laminate surface. If even a small amount of cleaning solution remains on the surface, moisture from cups or dishes can reactivate it and result in permanently-etched scars. Always rinse thoroughly with clean water and dry with a soft, clean cloth.

3-4-5 RULE

Use this rule to check for square (90°) corner.

Corner is square if 3-4-5 rule works.





Counter-Form, LLC makes every effort to ensure you receive your materials as ordered. We are committed to providing excellence in craftsmanship and service. Please read and review the following terms and conditions of your purchase:

MEASUREMENTS:

The buyer is responsible for the accuracy of all measurements supplied to Counter-Form. Counter-Form accepts no responsibility or liability for measurement errors. The customer is responsible for the final design approval.

DELIVERY LEAD TIMES:

All delivery times are estimates. Custom edge and non-stock colors may have extended lead times.

INSPECTIONS

Upon receipt of delivery, materials should be inspected for damage. Claims need to be notated on delivery receipt or reported to the Counter-Form Customer Service Department immediately. If a return is required, contact the Counter-Form Customer Service Department to arrange for return authorization.

RETURNS

To be eligible for a return or exchange, begin by contacting your customer service representative. The product must be in its original condition and damage-free, all returns will be inspected prior to merchandise credit. Custom ordered products, and Special Orders may not be returned. NO Returns on non-stock colors. STOCK colors subject to a 20% restocking charge. Cut or damaged pieces cannot be accepted.

CHANGE ORDERS

Contact your Counter-Form customer service representative for all order changes. Orders prior to entering production can be changed at no charge. For orders that are in production (shop floor), changes may be limited and will have a \$25 fee applied.

NON STOCK LAMINATE

Additional lead-times may be incurred depending on supplier availability. Estimated delivery dates are supplied with the order acknowledgment. Laminates not stocked at Counter-Form may need to be purchased in full sheets, a line item charge for balance of sheet will be noted on the quote/acknowledgment.

YOU CAN FIND IT ON THE COUNTER-FORM.COM WEBSITE

We encourage you to check out the Counter-Form Website. We have it all - resources for your customers to help them select the perfect pattern, all the details including specifications and technical content that you require, and information to learn more about our capabilities and services that are available. [Explore the Possibilities at Counter-Form.com.](#)

Would you like to link our product section to your website? Let your customers select their perfect pattern before they visit your store or shop. Contact our Customer Service or your sales representative to learn more!



A COMPLETE GUIDE TO OUR STOCK PATTERNS

- A COLOR PHOTO GALLERY OF OUR STOCK PATTERNS
- FULL SHEET VIEWS AND APPLICATION PHOTOS
- VISUALIZERS AND DOWNLOADS
- EDGE PROFILE CHOICES & EXAMPLES
- FINISH OPTIONS
- SPECIFICATIONS & REFERENCE TOOLS
- NEW & SPECIAL FEATURED PATTERNS
- DOWNLOADABLE INTERACTIVE PDF FORMS



BUTCHER BLOCK SPECIES GUIDE

- A COLOR PHOTO GALLERY OF OUR SINGLE SPECIES AND MIXED SPECIES COLLECTIONS
- APPLICATION PHOTOS
- PATTERN OPTIONS
- EDGES & FINISHES
- SPECIALTY OPTIONS
- CARE INSTRUCTIONS
- DOWNLOADABLE INTERACTIVE PDF ORDER FORMS



KARRAN UNDERMOUNT SINK GUIDE

- A COLOR PHOTO GALLERY OF OUR EDGE, QUARTZ & ACRYLIC SERIES
- LAYOUTS & DIMENSIONS
- ACCESSORY GUIDE
- CARE INSTRUCTIONS

Explore the Possibilities at
[Counter-Form.com](#)



NAME

page ____ of ____

PURCHASE #

DATE ORDERED

DATE REQUIRED

USE A SEPARATE ORDER FORM FOR NON-STOCK COLORS

Color:		JOB#
QUANTITY	DESCRIPTION	

Color:		JOB#
QUANTITY	DESCRIPTION	

Color:		JOB#
QUANTITY	DESCRIPTION	

Color:		JOB#
QUANTITY	DESCRIPTION	

Color:		JOB#
QUANTITY	DESCRIPTION	

Color:		JOB#
QUANTITY	DESCRIPTION	

Email directly to your CSR or send to orders@counter-form.com. Questions? Call our office at (715) 384-2131

PIONITE FINISH CODES

AB = Aged Bark	MG = Medium Gloss
AS = Aegis Secure	MZ = Metalz
AW = Ashwood	NS = Natural Stone
BB = Barnboard	NW = Natural Wood
CR = Crystal	PV = Polished Velvet
EV = Evolution	SD = Suede
FL = Fineline	SM = Super Matte
GL = Gloss	SX = StoneX
GR = Granite	TL = Timberline
GV = Groovy	TW = Tactile Weave
HX = Hex	VE = Velvet
LR = Soft Leather	WE = Wood Essence
LZ = LineZ	

FORMICA FINISH CODES

11 = Satin Touch	BH = Brush
26 = Oiled Wood	MC = MicroDot
34 = Scovato	ML = Monolith
42 = Crystal	NG = Natural Grain
43 = Artisan	PG = Pure Grain
46 = Etchings	PX = Plex
58 = Matte	SP = Sculpted
90 = Gloss	WR = Woodbrush

ARBORITE FINISH CODES

AW = Artisan Walnut	LE = Legno
BC = Breccia	LM = Luminous
BT = Basalt	LQ = Laqwood
CA = Cashmere	MX = Metalux
CW = Casual Wood	RM = Refined Matte
DI = Diamond	SR = Structured
EV = Evergrain	UL = Ultra Smooth
FP = French Polish	VL = Velvatex
GL = Gloss	

Special Order - laminate available in limited sizes, excess/balance of laminate pieces may need to be purchased. Allow additional lead times on non-stock colors and special order laminates. When ordering, please reference the laminate NUMBER, not the name.

WILSONART FINISH CODES

01 = Gloss	35 = Mirage HD
05 = Timbergrain	38 = Fine Velvet Textured
07 = Textured Gloss	52 = Quarry
12 = Soft Grain	55 = Glaze HD
15 = Fieldstone	57 = Aligned Oak
16 = Casua 1 Rustic	60 = Matte
18 = Linearity	67 = Aligned Walnut
19 = Leno Weave	78 = FineGrain
21 = Soft Silk	79 = Ridgewood
22 = Antique	K = AEON Finish
28 = Gloss Line	

NEVAMAR FINISH CODES

AB = Aged Bark	MG = Medium Gloss
AS = Aegis Secure	MZ = Metalz
AW = Ashwood	NS = Natural Stone
BB = Barnboard	NW = Natural Wood
CR = Crystal	PV = Polished Velvet
EV = Evolution	SD = Suede
FL = Fineline	SM = Super Matte
GL = Gloss	SX = StoneX
GR = Granite	T = ARP (Armored Protection)
GV = Groovy	TL = Timberline
HX = Hex	TW = Tactile Weave
LR = Soft Leather	VE = Velvet
LZ = LineZ	WE = Wood Essence

PRE-ORDER GUIDELINES

- Steps taken by Counter-Form for pre orders:
- Orders are entered into our system with sizes that are provided.
- Laminate is ordered to accommodate that size top. (Example: Kitchen top size is 90", we order 30"x96" laminate, if the top were to change to 99", we could not use the 96" pc. and would reorder 120" pc. You would be responsible for the 96" pc.)
- Received laminate is set aside for that order until the customer needs it.
- When final sizes are received, tops will be put into production.
- Pre-orders will be accepted one month in advance. All pre-orders must have a P.O. number and a contact name. Any pre-orders that change are subject to extra laminate charges and the balance of laminate will be delivered with the tops.
- If final orders are not received within one month of pre-order, laminate will be delivered and invoiced to the customer.
- NOTE: If Applied Edge sticks are pre-ordered, the color cannot be changed. Counter-Form does not make the sticks.

COUNTER-FORM STOCK COLOR LIST

Counter-Form recommends ordering the patterns featured below in blue with Poly. It is not automatically applied.

PIONITE

GROUP	GROUP	GROUP	GROUP	GROUP	GROUP
AE021SD 1	AG361SD 1	AT191SD 1	MG115GR 3	MG190EV 3	MT330SD 1
AG081SM 3	AG381SD 1	AW141SD 1	MG120SX 3	MG200PV 3	MW570GR 3
AG130SM 3	AT161SD 1	ME100SD 1	MG145SD 1	MR125SX 3	MW575SD 1
AG180SD 1	AT181SD 1	MG071SD 1	MG180SD 1	MT250SD 1	PFA51SD 1



WILSONART

GROUP	GROUP	GROUP	GROUP	GROUP	GROUP	GROUP	GROUP
D354-60 0	1876K-35 4	1886K-07 3	4588-60 0	4886-38 0	4944-38 0	5003-38 0	5031K-07 3
1595-60 0	1876K-52 3	1887K-22 3	4595K-52 3	4888-38 0	4952K-22 3	5004-38 0	5037-38 0
1849K-35 4	1877K-35 4	1888K-22 3	4674-60 0	4904-38 0	4952K-52 3	5005-38 0	5039K-15 3
1850K-35 4	1877K-52 3	1890K-22 3	4724K-52 3	4905-38 0	4954K-22 3	5008K-07 3	5041K-15 3
1858K-55 4	1878K-35 4	1891K-55 4	4725K-52 3	4907-38 0	4955K-22 3	5009-60 0	5042K-07 3
1863K-55 4	1879K-35 4	2932-60 0	4726K-52 3	4922K-52 3	4979K-07 3	5010K-07 3	5043K-15 3
1864K-55 4	1880K-35 4	4142-60 0	4762-60 0	4924-38 0	4981-38 0	5011K-22 3	5044-60 0
1867K-55 4	1881K-35 4	4143-60 0	4835-38 0	4925K-07 3	4987K-07 3	5025K-22 3	5045K-15 3
1871K-35 4	1882K-35 4	4168-60 0	4841-60 0	4926K-07 3	4988K-07 3	5026K-07 3	5062-38 0
1872K-35 4	1883K-35 4	4170-60 0	4842-60 0	4929-38 0	4995-60 0	5027K-07 3	5063K-22 3
1874K-35 4	1884K-35 4	4551K-01 2	4878-38 0	4931-38 0	4998K-22 3	5028K-07 3	5064-60 0
1875K-35 4	1885K-07 3	4588K-07 3	4882-38 0	4932-38 0	5000K-22 3	5029K-22 3	5067K-15 3

FORMICA

GROUP	GROUP	GROUP	GROUP	GROUP	GROUP	GROUP	GROUP	GROUP	GROUP
271-46 3	3466-11 4	3546-46 4	3702-34 4	6226-58 0	6697-58 0	7494-58 0	9303-43 4	9529-58 0	
909-58 0	3476-46 4	3546-ML 4	3703-11 4	6280-46 3	7022-58 0	7732-46 3	9306-34 3	9534-34 4	
949-58 0	3496-46 3	3547-34 4	3706-ML 3	6280-58 0	7264-58 0	7732-58 0	9306-58 0	9536-34 4	
3420-46 4	3496-58 0	3690-34 3	3712-NG 3	6314-58 0	7267-58 0	7734-46 3	9308-46 3	9537-34 4	
3422-11 4	3517-46 3	3690-58 0	5014-11 4	6319-43 4	7402-11 4	7734-58 0	9309-46 3	9915-11 4	
3450-58 0	3518-46 3	3692-46 3	5018-11 4	6320-46 4	7403-58 4	8830-58 0	9309-58 0	9916-11 4	
3456-58 0	3522-46 3	3692-58 0	5019-34 3	6696-46 3	7404-11 4	8831-58 0	9476-46 3	9921-43 4	
3460-11 4	3522-58 0	3700-11 4	6001-58 0	6696-58 0	7407-58 0	9284-43 4	9476-58 0	9922-ML 3	
3460-46 4	3526-58 0	3701-11 4	6226-46 3	6697-46 3	7408-43 0	9302-34 4	9497-58 0		

NEVAMAR

GROUP	GROUP	GROUP	GROUP	GROUP	GROUP
GR4001T 1	ME0600SD 1	MT4050EV 3	MW5450VE 3	RK2001T 1	RK7002T 1
LN6002T 1	MG0930EV 3	MW5350VE 3	P07001T 1	RK6003T 1	SL6003T 1

ARBORITE

GROUP	GROUP	GROUP	GROUP	GROUP	GROUP
P1000VL 3	P1006VL 3	P1010BT 3	P1015UL 3	P1019BT 3	P1023BT 3
P1002VL 3	P1007VL 3	P1011BT 3	P1016UL 3	P1020BT 3	P1024BT 3
P1004VL 3	P1008VL 3	P1013UL 3	P1017VL 3	P1021BT 3	
P1005VL 3	P1009VL 3	P1014UL 3	P1018VL 3	P1022VL 3	



New for 2024

STOCK SAMPLE BOARD 1

271-46 BLACKSTONE	909-58 BLACK	949-58 WHITE	3420-46 DOLCE VITA	3422-11 CREMA MASCARELLO	3450-58 MINERAL JET	3456-58 MOCHA TRAVERTINE	3460-11 CALACATTA MARBLE	3460-46 CALACATTA MARBLE	3466-11 ANTIQUE MASCARELLO	3476-46 JET SEQUOIA	3496-46 BELMONTE GRANITE
3496-58 BELMONTE GRANITE	3517-46 SAND CRYSTALL	3518-46 FLINT CRYSTALL	3522-46 PERLATO GRANITE	3522-58 PERLATO GRANITE	3526-58 TRAVERTINE	3546-46 RIVER GOLD	3546-ML RIVER GOLD	3547-34 LAPIDUS BROWN	3690-34 BASALT SLATE	3690-58 BASALT SLATE	3692-46 LABRADOR GRANITE
3692-58 LABRADOR GRANITE	3700- 11 WHITE ALABASTER	3701-11 MANHATTAN MARBLE	3702-34 MEDITERRA- NEAN MARBLE	3703-11 WOODLAND MARBLE	3706- ML PATINE CONCRETE	3712-NG WALNUT BUTCHERBLOCK	5014-11 WHITE PAINTED MARBLE	5018-11 CALACATTA CAVA	5019-34 BLACK BARDIGLIO	6001-58 BIANCO ANTICO	6226-46 IVORY KASHMIRE
6226-58 IVORY KASHMIRE	6280-46 MIDNIGHT STONE	6280-58 MIDNIGHT STONE	6314-58 NEO CLOUD	6319-43 CAFÉ AZUL	6320-46 BLACK FUSION	6696-46 CARRARA BIANCO	6696-58 CARRARA BIANCO	6697-46 ARGENTO ROMANO	6697-58 ARGENTO ROMANO	7022-58 NATURAL CANVAS	7264-58 LIME STONE
7267-58 CONCRETE STONE	7402-11 PIETRA GRAFITE	7403- 58 NERO MARQUINA	7404-11 NEAPOLITAN STONE	7407-58 MARMARA GRAY	7408-43 ICE ONYX	7494-58 CARRARA ENVISION	7732-46 BUTTERUM GRANITE	7732-58 BUTTERUM GRANITE	7734-46 JAMOCHA GRANITE	7734-58 JAMOCHA GRANITE	8830-58 ELEMENTAL CONCRETE
8831-58 ELEMENTAL STONE	9284-43 CLASSIC CRYSTAL GRANITE	9302-34 FANTASY MARBLE	9303-43 AZUL ARAN	9306-34 WHITE BARDIGLIO	9306-58 WHITE BARDIGLIO	9308-46 GERIBA GRAY	9309-46 STAR DUNE	9309-58 STAR DUNE	9476-46 WHITE ICE GRANITE	9476-58 WHITE ICE GRANITE	9497-58 SILVER QUARTZITE
9529-58 SEA SALT	9534-34 SEA PEARL	9536-34 QUARTZITE BIANCO	9537-34 STORMY NIGHT GRANITE	9915-11 PROSECCO QUARTZITE	9916-11 FRACTURED MARBLE	9921-43 SAHARA NOIR	9922-ML TAJ MAHAL				
AE021SD GRAPHITE SPEKTRUM	AG081SM SUGAR PIE	AG130SM COOKIES & CREAM	AG180SD METEORIC METALLO	AG361SD GRAPHITE TALC	AG381SD MINERAL TALC	AT161SD ROCKY MOUNTAIN HIGH	AT181SD AGATHA	AT191SD VIOLA	AW141SD ROCK OF AGES	ME100SD FADED MEMORIES	MG071SD BERNARD
MG115GR MOON DUST	MG120SX HAROLD	MG145SD SLATE IMPERIALE MARBLE	MG180SD GALACTIC DUST	MG190EV RICE LAKE	MG200PV CRESCENT PORTICO	MR125SX THEODORE	MT250SD MAN ON THE MOON	MT330SD CITY OF LIGHTS	MW570GR POLAR CAP	MW575SD CHALK IMPERIALE MARBLE	PFA51SD GRIDLOCK IN L.A.
GR4001 T MADURA GOLD GRANITE	LN6002 T KOPI SUSU	ME0600SD ESTASI	MG0930EV GRIGIO IMPERIALE MARBLE	MT4050EV TAUPE IMPERIALE MARBLE	MW5350VE RINNOVATO MARBLE	MW5450VE SPERANZA	PO7001 T PARIS WHITE POTTERWARE	RK2001 T CLASSIC ROCK	RK6003 T VERDICTS IN	RK7002 T VETO PROOF	SL6003 T RARE EARTH SLATE

STOCK SAMPLE BOARD 2

New for 2024

D354-60 DESIGNER WHITE	1595-60 BLACK	1849K-35 LUNA FROST	1850K-35 LUNA WINTER	1858K-55 SILVER TRAVERTINE	1863K-55 BAINBROOK GREY	1864K-55 SALENTINA NERO	1867K-55 PERLA PIAZZA	1871K-35 GOLDEN ROMANO	1872K-35 BIANCO ROMANO	1874K-35 WINTER CARNIVAL	1875K-35 SUMMER CARNIVAL
1876K-35 SPRING CARNIVAL	1876K-52 SPRING CARNIVAL	1877K-35 AUTUMN CARNIVAL	1877K-52 AUTUMN CARNIVAL	1878K-35 GRANITO AMARELO	1879K-35 TRINIDAD LAPIDUS	1880K-35 MAGNATA	1881K-35 CIPOLLINO BIANCO	1882K-35 CIPOLLINO GRIGIO	1883K-35 FRANCESCA	1884K-35 CIPOLLINO CON PANNA	1885K-07 MARMO BIANCO
1886K-07 COTE D'AZUR	1887K-22 BENJAMIN GREY	1888K-22 HEBRON WHITE	1890K-22 SERRANIA	1891K-55 LARIO	2932-60 ALMOND LEATHER	4142-60 GREY GLACE	4143-60 NEUTRAL GLACE	4168-60 GREY PAMPAS	4170-60 BEIGE PAMPAS	4551K-01 BLACKSTAR GRANITE	4588K-07 KALAHARI TOPAZ
4588-60 KALAHARI TOPAZ	4595K-52 BAHIA GRANITE	4674-60 EVENING TIGRIS	4724K-52 MILANO AMBER	4725K-52 MILANO BROWN	4726K-52 MILANO QUARTZ	4762-60 MYSTIQUE DAWN	4835-38 TUMBLED ROCA	4841-60 DESERT ZEPHYR	4842-60 CANYON ZEPHYR	4878-38 PEWTER MESH	4882-38 OILED SOAPSTONE
4886-38 PEARL SOAPSTONE	4888-38 RUSTIC SLATE	4904-38 DESERT SPRINGS	4905-38 SPICEWOOD SPRINGS	4907-38 DEEP SPRINGS	4922-52 MADURA PEARL	4924-38 WHITE CARRARA	4925K-07 CALCUTTA MARBLE	4926K-07 BLACK ALICANTE	4929-38 BORDEAUX JUPARANA	4931-38 WHITE JUPARANA	4932-38 GOLDEN JUPARANA
4944-38 CASUAL LINEN	4952K-22 TYPHOON ICE	4952K-52 TYPHOON ICE	4954K-22 ITALIAN WHITE di PESCO	4955K-22 CAFÉ di PESCO	4979K-07 INK VESTA	4981-38 CALACATTA ORO	4987K-07 LECHE VESTA	4988K-07 MERCURY VESTA	4995-60 FORGED STEEL	4998K-22 ANDORRA SHADOW	5000K-22 TOFFEE di PESCO
5003-38 WHITE CASCADE	5004-38 DUSK CASCADE	5005-38 SIERRA CASCADE	5008K-07 PRALINE ANTICO	5009-60 PEBBLE PIAZZA	5010K-07 DRAMA MARBLE	5011K-22 POTTERS CLAY	5025K-22 GLACIER QUARTZITE	5026K-07 BRAZILLIAN GREY	5027K-07 ARENITE CREAM	5028K-07 SOMBRA	5029K-22 OURO BRANCO
5031K-07 QUARTZ FROST	5037-38 ANZIO MARBLE	5039K-15 BELLO ROMANO	5041K-15 GRANITO CASCATA	5042K-07 CALACATTA LINCOLN	5043K-15 LISOLA	5044-60 BEACHWALK	5045K-15 ICE MIST	5062-38 BORGHINI MARBLE	5063K-22 PIETRA VIVA	5064-60 ROCA BASCO	5067K-15 ALUMA MARBLE
P-1000 VL ARABESCATO MARBLE	P-1002 VL SANTA CECILLIA	P-1004 VL ROMAN TRAVERTINE	P-1005 VL TYPHOON BORDEAUX CRÈME	P-1006 VL TYPHOON BORDEAUX GREIGE	P-1007 VL CINDER SLATE	P-1008 VL SAINT LAURENT MARBLE	P-1009 VL MONT BLANC	P-1010 BT CITYSCAPE LOFT	P-1011 BT INDUSTRIAL LOFT	P-1013 UL NUVOLATO MARBLE	P-1014 UL TERRAZZO GRANDE
P-1015 UL CARRARA VENATO	P-1016 UL VERSAILLES MARBLE	P-1017 VL BAROQUE SOAPSTONE	P-1018 VL DREAMCATCHER	P-1019 BT ARIA QUARTZITE	P-1020 BT NUAGE QUARTZITE	P-1021 BT PERLA QUARTZITE	P-1022 VL BIANCO STATUARIO	P-1023 BT CHATEAU	P-1024 BT NUVOLATO CREMA		



MANY NON-STOCK COLORS ARE AVAILABLE IN LIMITED SIZES, BALANCE OF LAMINATE MAY NEED TO BE PURCHASED.

*ALLOW ADDITIONAL LEAD TIME ON NON-STOCK COLORS. NOT ALL COLORS/FINISHES MAY BE LISTED.

PIONITE

GROUP	GROUP	GROUP	GROUP	GROUP	GROUP	GROUP
AB221SD 1	AP365SD 1	AW141SD 1	MR130SD 1	SG246SD 1	WC230PV 3	WT850SD 1
AB300SD 1	AR250SD 1	AW200SD 1	MT250SD 1	SG254SD 1	WC331PV 3	WT860SD 1
AB400SD 1	AT106SD 1	AW300SD 1	MT310GR 3	S0312SD 1	WC411SD 1	WT870SD 1
AE011CR 3	AT109SD 1	AW700SD 1	MT330SD 1	SP401SD 1	WC421SD 1	WT870TL 3
AE021SD 1	AT161SD 1	AW871SD 1	MT390SX 3	SP414SD 1	WC431PV 3	WT880SD 1
AE060SD 1	AT181SD 1	AY120SD 1	MT500SD 1	SR505SD 1	WC521SD 1	WW011SD 1
AE100PV 3	AT191SD 1	AY135SD 1	MW550SD 1	SR520SD 1	WC652WE 3	WW050SD 1
AG011SD 3	AT231SD 3	AY160SD 1	MW570GR 3	SR525SD 1	WE250NW 3	WW075SD 1
AG021SD 1	AT301SD 1	HP336SD 1	MW570SD 1	SR537FL 3	WE261SM 3	WW120WE 3
AG031SD 1	AT371SD 1	HP359PV 3	MW575SD 1	ST604SD 1	WE280NW 3	WW160SD 1
AG041SX 3	AT435TW 3	HP360SD 1	PFA42SD 1	ST606SD 1	WF131SD 1	WW185SD 1
AG071SD 1	AT440SD 1	HP451SD 1	PFA48SD 1	ST655SD 1	WF181SD 1	WW561SD 1
AG081SM 3	AT505SD 1	HP565SD 1	PFA51SD 1	SV709SD 1	WH110SD 1	WW601SD 1
AG130SM 3	AT650SD 1	HP689SD 1	PFA60SD 1	SV713SD 1	WM115SD 1	WW971SD 1
AG160SD 1	AT660SD 1	ME011EV 3	SB005MZ 3	SV750SD 1	WM221SD 1	WX031SD 1
AG180SD 1	AT680SD 1	ME051SD 1	SB006SD 3	SW803SD 1	WM791SD 1	WX041SD 1
AG361SD 1	AT840SD 1	ME100SD 1	SB007SD 1	SW806SD 1	WM951SD 1	WX110SD 1
AG371SD 1	AT861SD 1	MG071SD 1	SB009SD 1	SW811SD 1	WO095SD 1	WX170SD 1
AG381SD 1	AT965SD 1	MG115GR 3	SB027SD 1	SW813SD 1	WO581SD 1	WX230SD 1
AG415SD 1	AT970LR 3	MG115SX 3	SB040SD 1	SW826SD 1	WO680LZ 3	WX421PV 3
AG471SD 1	AT981SD 1	MG120SX 3	SE101SD 1	SW836SD 1	WO862SD 1	WX440SD 1
AG500LR 3	AT988SD 1	MG125SD 1	SG203SD 1	SW888HX 3	WO951SD 1	WX600SD 1
AG561SD 1	AT991SD 1	MG130SX 3	SG204SD 1	SY913SD 1	WP110SD 1	WX800SD 1
AG601SD 1	AV208SD 1	MG135NS 3	SG208SD 1	SY914SD 1	WP115SD 1	WY031SD 1
AG611SD 1	AV250SD 1	MG145SD 1	SG210SD 1	WA001SD 1	WP120SD 1	WY131SD 1
AG640SD 1	AV674SD 1	MG155SD 1	SG211SD 1	WA030SD 1	WP125SD 1	WY160TL 3
AG730SD 1	AV751SD 1	MG160SD 1	SG213SD 1	WA090SD 1	WP130SD 1	WY351PV 3
AG740TW 3	AV781SD 1	MG170SD 1	SG214SD 1	WA110SD 1	WP140SD 1	WZ150SD 1
AG750SD 1	AV830SD 1	MG180SD 1	SG224SD 1	WA120SD 1	WP500LZ 3	WZ160WE 3
AG801SD 1	AV971SD 1	MG190EV 3	SG228SD 1	WC105SD 1	WT741SD 1	WZ460WE 3
AP280SD 1	AV981SD 1	MG200PV 3	SG240SD 1	WC115SD 1	WT790BB 3	
AP290SD 1	AV999SD 1	MR125SX 3	SG241SD 1	WC210PV 3	WT790SD 1	

FINISHES

AB = Aged Bark	EV = Evolution	HX = Hex	NS = Natural Stone	SX = StoneX
AS = Aegis Secure	FL = Fineline	LR = Soft Leather	NW = Natural Wood	TL = Timberline
AW = Ashwood	GL = Gloss	LZ = LineZ	PV = Polished Velvet	TW = Tactile Weave
BB = Barnboard	GR = Granite	MG = Medium Gloss	SD = Suede	VE = Velvet
CR = Crystal	GV = Groovy	MZ = Metalz	SM = Super Matte	WE = Wood Essence

When ordering, please reference the laminate NUMBER, not the name. Some colors and/or finishes may require 5-10 sheet minimums.

Dark solids or Gloss finish laminates will show wear and scratches. WE DO NOT RECOMMEND them for normal kitchen use!

UPCHARGES PER LINEAL FOOT

MANY NON-STOCK COLORS ARE AVAILABLE IN LIMITED SIZES, BALANCE OF LAMINATE MAY NEED TO BE PURCHASED.

WILSONART

*ALLOW ADDITIONAL LEAD TIME ON NON-STOCK COLORS. NOT ALL COLORS/FINISHES MAY BE LISTED.

GROUP	GROUP	GROUP	GROUP	GROUP	GROUP	GROUP	GROUP	GROUP							
1500-60	1	4170-60	0	4878-38	0	5000K-22	3	5063K-22	3	7959K-78	3	8214K-28	3	17014K-57	4
1530-60	1	4551K-01	2	4879-38	0	5001K-07	3	5064-60	0	7960K-18	3	8215K-12	3	17015K-67	4
1570-60	1	4588K-07	3	4880-38	0	5003-38	0	5065K-22	3	7964K-12	3	8216K-28	3	17016K-67	4
1572-60	1	4588-60	0	4882-38	0	5004-38	0	5067K-15	3	7965K-12	3	8217K-16	3	17017K-67	4
1573-60	1	4589K-07	3	4883-38	0	5005-38	0	5068K-22	3	7966K-12	3	8218-38	0	17018K-67	4
1595K-01	3	4595K-52	3	4886-38	0	5008K-07	3	7039K-78	3	7967K-12	3	8219-38	0	D12K-18	3
1595-60	0	4621-60	0	4888-38	0	5009-60	0	7040K-78	3	7968K-12	3	8220-38	0	D14-60	1
1818K-35	4	4622-60	0	4904-38	0	5010K-07	3	7054-60	0	7969K-12	3	8221-38	0	D25-60	1
1832K-35	4	4623-60	0	4905-38	0	5011K-22	3	7110K-78	3	7970K-18	3	8222K-16	3	D30-60	1
1849K-35	4	4630-60	0	4907-38	0	5012K-19	3	7122K-07	3	7971K-12	3	8225K-79	3	D50-60	1
1850K-35	4	4651-60	0	4922K-52	3	5013K-19	3	7209K-78	3	7973K-12	3	8226K-79	3	D73-60	1
1854K-35	4	4656-60	0	4924-38	0	5014K-19	3	7806-60	0	7975K-12	3	8229K-79	3	D90-60	1
1858K-55	4	4667-60	0	4925K-07	3	5015-38	0	7816-60	0	7976K-79	3	8231K-79	3	D91-60	1
1863K-55	4	4669-60	0	4926K-07	3	5016-38	0	7850-60	0	7977K-12	3	8232K-05	4	D92-60	1
1864K-55	4	4674-60	0	4929-38	0	5017-38	0	7909-60	0	7980K-18	3	8234K-05	4	D96-60	1
1867K-55	4	4724-60	0	4931-38	0	5018-38	0	7911-60	0	7981K-12	3	8235K-05	4	D307-60	1
1871K-35	4	4724K-52	3	4932-38	0	5022K-22	3	7919K-78	3	7982-38	0	8236K-05	4	D315-60	1
1872K-35	4	4725-60	0	4939K-18	3	5023K-19	3	7921-38	0	7983-38	0	8238K-05	4	D321-60	1
1874K-35	4	4725K-52	3	4940K-18	3	5024K-19	3	7922K-07	3	7984-38	0	8239-38	0	D327-60	1
1874K-52	3	4726-60	0	4941K-18	3	5025K-22	3	7923K-07	3	7985-38	0	8241-38	0	D354-60	0
1875K-35	4	4726K-52	3	4942-38	0	5026K-07	3	7924K-07	3	7986-38	0	8242-38	0	D379-60	1
1875K-52	3	4746-60	0	4943-38	0	5027K-07	3	7925-38	0	7987-38	0	8244K-28	3	D381-60	1
1876K-35	4	4762-60	0	4944-38	0	5028K-07	3	7928-38	0	7990-38	0	8248K-79	3	D388-60	1
1876K-52	3	4779-60	0	4945-38	0	5029K-22	3	7929-38	0	7991-38	0	8249K-05	3	D403-60	1
1877K-35	4	4783-60	0	4946-38	0	5031K-07	3	7933K-07	3	7992-38	0	8254K-05	3	D417-60	1
1877K-52	3	4795-60	0	4947-38	0	5032K-07	3	7935K-07	3	7993-38	0	8255K-05	3	D427-60	1
1878K-35	4	4796-60	0	4951K-22	3	5033-38	0	7936K-07	3	7994-38	0	10657-60	0	D431-60	1
1879K-35	4	4810-60	0	4952K-22	3	5034-38	0	7937-38	0	7995-38	0	10734-60	0	D439-60	1
1880K-35	4	4811-60	0	4952K-52	3	5035-38	0	7938-38	0	7996-38	0	10745-60	0	D495-60	1
1881K-35	4	4814-60	0	4954K-22	3	5036-38	0	7939K-18	3	7997-38	0	10776-60	0	D498K-18	3
1882K-35	4	4820-60	0	4955K-22	3	5037-38	0	7941K-18	3	7998K-18	3	13088-60	0	D501-60	1
1883K-35	4	4830K-18	3	4957K-22	3	5038K-15	3	7942K-07	3	7999K-12	3	13089-60	0	D502K-18	3
1884K-35	4	4835-38	0	4971K-52	3	5039K-15	3	7943K-07	3	8200K-16	3	13091-60	0	D503-60	1
1885K-07	3	4841-60	0	4979K-07	3	5041K-15	3	7944K-01	3	8201K-12	3	13092-60	0	D504-60	1
1886K-07	3	4842-60	0	4980K-22	3	5042K-07	3	7945K-18	3	8203K-28	3	13096-60	0	D505-60	1
1887K-22	3	4843-60	0	4981-38	0	5043K-15	3	7946-38	0	8204K-16	3	13102-60	0		
1888K-22	3	4844-60	0	4987K-07	3	5044-60	0	7947K-18	3	8205K-16	3	17000K-57	4		
1889K-07	3	4845-60	0	4988K-07	3	5045K-15	3	7948K-07	3	8207K-16	3	17001K-57	4		
1890K-22	3	4846-60	0	4990-38	0	5046K-15	3	7949K-18	3	8208K-16	3	17002K-57	4		
1891K-55	4	4856-60	0	4991-38	0	5057K-18	3	7951K-18	3	8209K-28	3	17003K-57	4		
2932-60	0	4857-60	0	4992-38	0	5058K-18	3	7952K-18	3	8210K-28	3	17004K-57	4		
4142-60	0	4860K-07	3	4995-60	0	5059K-15	3	7953-38	0	8211K-28	3	17005K-57	4		
4143-60	0	4876-38	0	4996-38	0	5061K-15	3	7954-38	0	8212K-28	3	17012K-57	4		
4168-60	0	4877-38	0	4998K-22	3	5062-38	0	7957K-78	3	8213K-28	3	17013K-57	4		

FINISHES

- | | | | | |
|---------------------|--------------------|-----------------|---------------------------|---------------------|
| 01 = Gloss | 15 = Fieldstone | 21 = Soft Silk | 38 = Fine Velvet Textured | 60 = Matte |
| 05 = Timbergrain | 16 = Casual Rustic | 22 = Antique | 52 = Quarry | 67 = Aligned Walnut |
| 07 = Textured Gloss | 18 = Linearity | 28 = Gloss Line | 55 = Glaze HD | 78 = FineGrain |
| 12 = Soft Grain | 19 = Leno Weave | 35 = Mirage HD | 57 = Aligned Oak | 79 = Ridgewood |
| | | | | K = AEON Finish |

When ordering, please reference the laminate NUMBER, not the name. Some colors and/or finishes may require 5-10 sheet minimums.

Dark solids or Gloss finish laminates will show wear and scratches. WE DO NOT RECOMMEND them for normal kitchen use!

UPCHARGES PER LINEAL FOOT

NEVAMAR

MANY NON-STOCK COLORS ARE AVAILABLE IN LIMITED SIZES, BALANCE OF LAMINATE MAY NEED TO BE PURCHASED.

*ALLOW ADDITIONAL LEAD TIME ON NON-STOCK COLORS. NOT ALL COLORS/FINISHES MAY BE LISTED.

GROUP	GROUP	GROUP	GROUP	GROUP	GROUP	GROUP
AB2400T 1	KH2001T 1	PH7001T 1	S6047T 1	VU6001T 1	WO9400NW 3	WZ2004T 1
AB4440T 1	LD6001T 1	PO7001T 1	S6052T 1	W8294T 1	WP3000AB 3	WZ2007PV 3
AEO500SD 1	LN6001T 1	PR2002T 1	S6053GV 3	W8325T 1	WS9450MG 3	WZ2009T 1
AG1000T 1	LN6002T 1	RK2001NS 3	S6053SM 3	W8343PV 3	WT0003PV 3	WZ2150IW 3
AG1900T 1	LU3001T 1	RK2001T 1	S6053T 1	W8351T 1	WT0005T 1	WZ2200IW 3
AG6300SD 1	LU6001T 1	RK6003T 1	S6054T 1	W8352VE 3	WU0010WE 3	WZ3001T 1
AG7600NS 3	ME0600SD 1	RK7002T 1	S7004T 1	W8369T 1	WU0030WE 3	WZ6001T 1
AG7900EV 3	ME1000EV 3	S1015T 1	S7005T 1	W8371T 1	WU0060T 1	WZ6004T 1
AG8000LZ 3	MG0930EV 3	S1027LZ 3	S7024T 1	WA0001E 3	WW0013MG 3	YSN001T 1
AG8000SD 1	MG1150EV 3	S1027T 1	S7025T 1	WA0002SD 1	WW0900VE 3	YSN002T 1
AG8100SD 1	MG1200EV 3	S1049T 1	S7027T 1	WA3000VE 3	WW1300NW 3	
AG8720SD 1	MG1300EV 3	S2019T 1	S7032T 1	WC2001T 1	WW1700NW 3	
AL2002T 1	MG1600EV 3	S2037T 1	S7036T 1	WC5581MG 3	WW1900NW 3	
AL5002T 1	MG1800EV 3	S2063T 1	S7040T 1	WE2700T 1	WW3100T 1	
ALB001T 1	MH4001T 1	S2069T 1	S8001T 1	WF0001T 1	WW4400VE 3	
ALN002T 1	MH6001T 1	S2084T 1	S8002T 1	WF0002SD 1	WW7800T 1	
ALT005T 1	MH8001T 1	S2085T 1	S8003T 1	WF0011T 1	WW9000WE 3	
AM6001T 1	MR2002T 1	S2086T 1	SB0300T 1	WH0050PV 3	WW9600T 1	
AO3200T 1	MR2003T 1	S2093T 1	SG0004T 1	WH1000WE 3	WX0075AB 3	
AR2830T 1	MR2006T 1	S2110T 1	SL6003EV 3	WK0017BB 3	WX1150PV 3	
AT1810EV 3	MR3003T 1	S2115T 1	SL6003T 1	WK0017T 1	WX4600VE 3	
AT5100T 3	MR3008T 1	S3016T 1	SO3300T 1	WK0022T 1	WX8500VE 3	
AT7500SD 1	MR5007T 1	S3022T 1	SP4170T 1	WK0023PV 3	WY2000T 1	
AT7700T 1	MR6001T 1	S3023T 1	SP4200T 1	WK0024T 1	WZ0001T 1	
AT9960EV 3	MR6002T 1	S3048T 1	SR5100T 1	WK0025T 1	WZ0002T 1	
AV2100T 1	MR6004T 1	S3055T 1	SR5240T 1	WK0027FL 3	WZ0003T 1	
AV4000T 1	MR6005T 1	S3068T 1	SV7300T 1	WK0027T 1	WZ0005MG 3	
AW1410NS 3	MR6007T 1	S3070T 1	SV7410T 1	WM0005T 1	WZ0017T 1	
AW1900VE 3	MR6008T 1	S4022T 1	SV7600T 1	WM0046T 1	WZ0018T 1	
AY1300SD 1	MR7001T 1	S4025T 1	SV7700T 1	WM0047T 1	WZ0028PV 3	
AY1500T 1	MR7002T 1	S5052T 1	SY9250T 1	WM2640T 1	WZ0045T 1	
EM6001T 1	MT2500EV 3	S5057T 1	TM2001T 1	WM5528SD 1	WZ0049T 1	
ES2001T 1	MT4050EV 3	S5059T 1	TQ6001T 1	WM5577E 3	WZ0049TL 3	
ES2003T 1	MW5350VE 3	S6001T 1	VA2001T 1	WM8164T 1	WZ0052T 1	
ES6002T 1	MW5450VE 3	S6003T 1	VA2002T 1	WM8258T 1	WZ0053T 1	
ES7001T 1	MW5500NS 3	S6012T 1	VA5001T 1	WM8340T 1	WZ0054T 1	
FN1002T 1	MW5700EV 3	S6014T 1	VA5002T 1	WM8342T 1	WZ0055T 1	
FN6001T 1	MW5800EV 3	S6020T 1	VA6001T 1	WM8349T 1	WZ0056T 1	
FS2001T 1	MW5800SD 1	S6023T 1	VA7002T 1	WM8350T 1	WZ0057T 1	
GR2004T 1	MW5850VE 3	S6024T 1	VE6001T 1	W00040T 1	WZ0062T 1	
GR4001T 1	MW5900EV 3	S6027T 1	VS2001T 1	W01400WE 3	WZ0063T 1	
HLB001T 1	MW6000EV 3	S6031T 1	VS2002T 1	W02600NW 3	WZ0080TL 3	
HLT001T 1	MXT002T 1	S6033T 1	VS5002T 1	W07100WE 3	WZ2000T 1	
HLT004T 1	MXT003T 1	S6037T 1	VS6001T 1	W08800NW 3	WZ2001T 1	

FINISHES

AB = Aged Bark	FL = Fineline	LZ = LineZ	SD = Suede	VE = Velvet
AS = Aegis Secure	GL = Gloss	MG = Medium Gloss	SM = Super Matte	WE = Wood Essence
AW = Ashwood	GR = Granite	MZ = Metalz	SX = StoneX	
BB = Barnboard	GV = Groovy	NS = Natural Stone	T = ARP (Armored Protection)	
CR = Crystal	HX = Hex	NW = Natural Wood	TL = Timberline	
EV = Evolution	LR = Soft Leather	PV = Polished Velvet	TW = Tactile Weave	

When ordering, please reference the laminate NUMBER, not the name. Some colors and/or finishes may require 5-10 sheet minimums.
 Dark solids or Gloss finish laminates will show wear and scratches. WE DO NOT RECOMMEND them for normal kitchen use!



MANY NON-STOCK COLORS ARE AVAILABLE IN LIMITED SIZES, BALANCE OF LAMINATE MAY NEED TO BE PURCHASED.

*ALLOW ADDITIONAL LEAD TIME ON NON-STOCK COLORS. NOT ALL COLORS/FINISHES MAY BE LISTED.

ARBORITE

GROUP	GROUP	GROUP	GROUP	GROUP	GROUP	GROUP	GROUP						
1403GL	2	P283FP	2	P389CA	1	P418CA	1	S576CA	1	W452RM	2	W488RM	3
1539EV	3	P285FP	2	P390CA	1	P419CA	1	S577CA	1	W453VL	2	W489CW	3
P1000VL	3	P297SR	4	P391UL	1	P420CA	1	S578CA	1	W454EV	3	W490CW	3
P1002VL	3	P300SR	4	P392CA	1	P421CA	1	S579CA	1	W455EV	3	W491CW	3
P1004VL	3	P301SR	4	P393CA	1	P421VL	2	S580CA	1	W456EV	3	W492CW	3
P1005VL	3	P304BC	2	P394CA	1	P422RM	2	S581CA	1	W458SR	4	W493CW	3
P1006VL	3	P310SR	4	P394VL	2	P423RM	2	S582cA	1	W459LE	3	W494CW	3
P1007VL	3	P311CA	1	P395CA	1	P500CA	1	S583CA	1	W460LE	3	W495CW	3
P1008VL	3	P316CA	1	P395VL	2	P623MX	4	S584CA	1	W461EV	3	W496CW	3
P1009VL	3	P317CA	1	P396CA	1	P885CA	1	W134VL	2	W462EV	3	W497CW	3
P1010BT	3	P318CA	1	P396VL	2	P999CA	1	W138VL	2	W464LE	3	W498CW	3
P1011BT	3	P323MX	4	P397VL	2	S405CA	1	W305VL	2	W465LE	3	W499CW	3
P1013UL	3	P325MX	4	P398CA	1	S406CA	1	W373EV	3	W466LE	3	W500LE	3
P1014UL	3	P327CA	1	P398VL	2	S407CA	1	W403EV	3	W467LE	3	W501LE	3
P1015UL	3	P331CA	1	P399CA	1	S419CA	1	W405VL	2	W468LE	3		
P1016UL	3	P344RM	2	P400CA	1	S431CA	1	W411VL	2	W469LE	3		
P1017VL	3	P345CA	1	P401CA	1	S434CA	1	W412FP	2	W470LE	3		
P1018VL	3	P346CA	1	P402CA	1	S436CA	1	W415FP	2	W471LE	3		
P1019BT	3	P350FP	2	P403CA	1	S444CA	1	W418FP	2	W472VL	2		
P1020BT	3	P354CA	1	P404CA	1	S445CA	1	W424FP	2	W473VL	2		
P1021BT	3	P356RM	2	P405CA	1	S463CA	1	W425FP	2	W474LE	3		
P1022VL	3	P362SR	4	P406CA	1	S466CA	1	W428VL	2	W475LE	3		
P1023BT	3	P363SR	4	P407CA	1	S480CA	1	W429VL	2	W476EV	3		
P1024BT	3	P364SR	4	P407VL	2	S486CA	1	W430VL	2	W477EV	3		
P124CA	1	P379CA	1	P408RM	2	S497CA	1	W431VL	2	W478EV	3		
P127CA	1	P380CA	1	P409RM	2	S498CA	1	W432RM	2	W479EV	3		
P203CA	1	P381CA	1	P410RM	2	S508CA	1	W433RM	2	W480CW	3		
P257CA	1	P382CA	1	P411RM	2	S513CA	1	W436FP	2	W481CW	3		
P258CA	1	P383CA	1	P412RM	2	S517CA	1	W437FP	2	W482CW	3		
P259CA	1	P384CA	1	P413RM	2	S542CA	1	W446FP	2	W483CW	3		
P271CA	1	P385CA	1	P414CA	1	S548CA	1	W448FP	2	W484CW	3		
P276CA	1	P386CA	1	P415CA	1	S550CA	1	W449EV	3	W485CW	3		
P277LM	2	P387CA	1	P416CA	1	S568CA	1	W450EV	3	W486CW	3		
P282FP	2	P388CA	1	P417CA	1	S575CA	1	W451EV	3	W487RM	3		

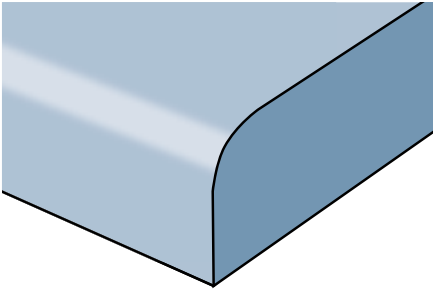
FINISHES

AW = Artisan Walnut	CA = Cashmere	FP = French Polish	LQ = Laqwood	UL = Ultra Smooth
BC = Breccia	CW = Casual Wood	GL = Gloss	MX = Metalux	VL = Velvatex
BT = Basalt	DI = Diamond	LE = Legno	RM = Refined Matte	
	EV = Evergrain	LM = Luminous	SR = Structured	

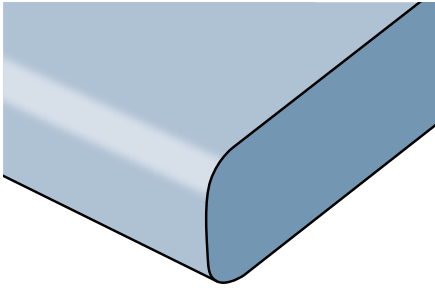
When ordering, please reference the laminate NUMBER, not the name. Some colors and/or finishes may require 5-10 sheet minimums.

Dark solids or Gloss finish laminates will show wear and scratches. WE DO NOT RECOMMEND them for normal kitchen use!

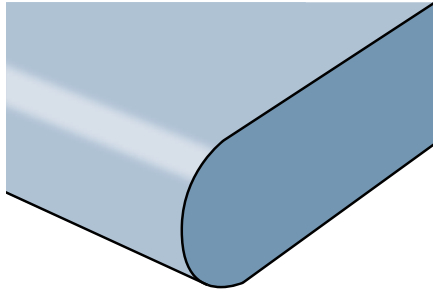
AVAILABLE EDGE PROFILES



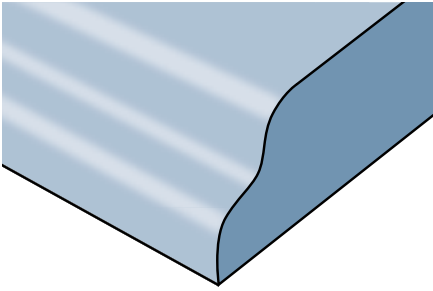
ROLLED EDGE



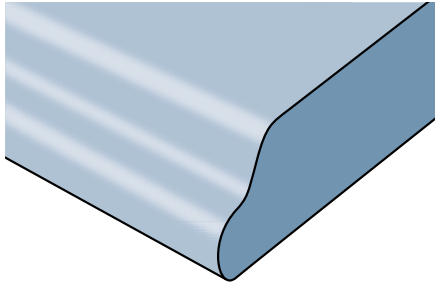
"D" EDGE



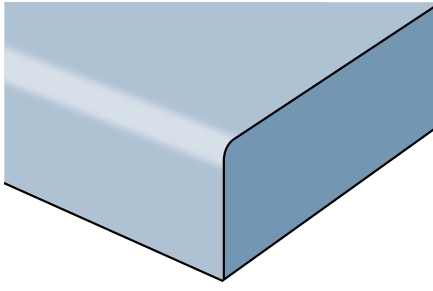
180° EDGE



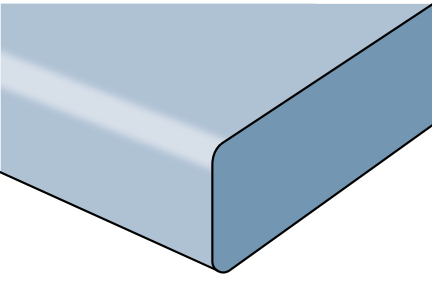
ROMAN EDGE



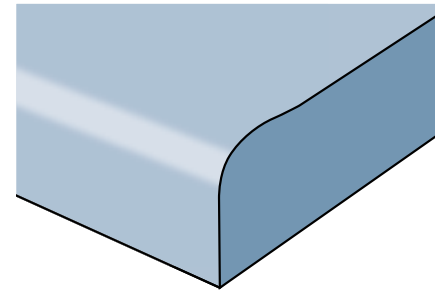
PREMIER EDGE



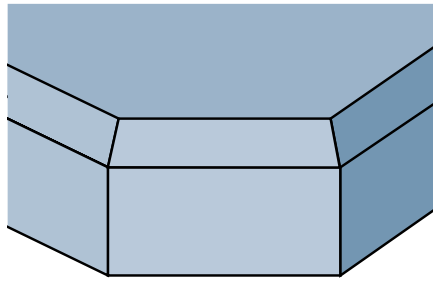
REGENT EDGE



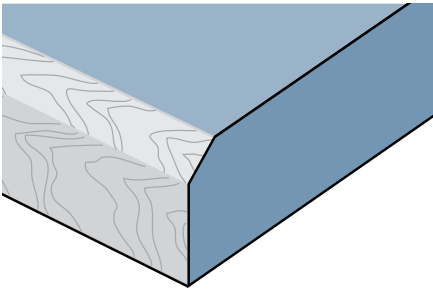
MONARCH EDGE



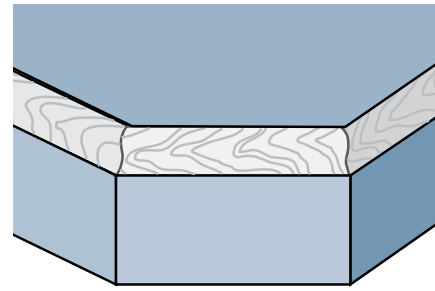
NO DRIP EDGE



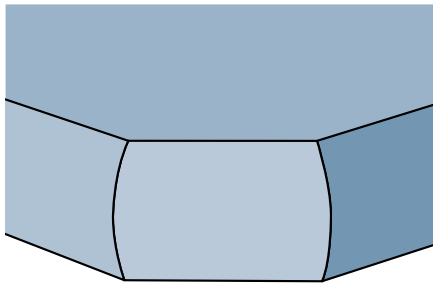
SINGLE BEVEL W/ LAMINATE EDGE



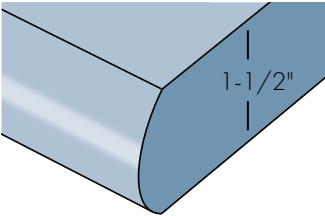
SINGLE BEVEL FULL WOOD



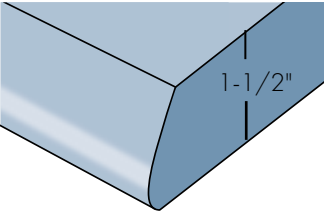
OGEE EDGE W/LAMINATE BAND



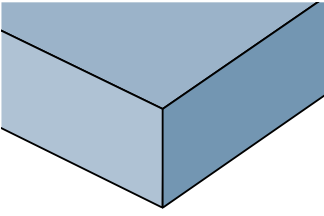
CRESCENT EDGE



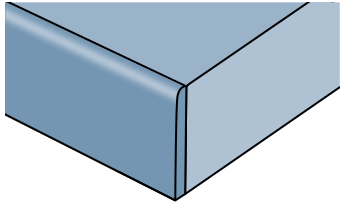
IDEAL EDGE BULLNOSE (FORMICA COLORS ONLY)



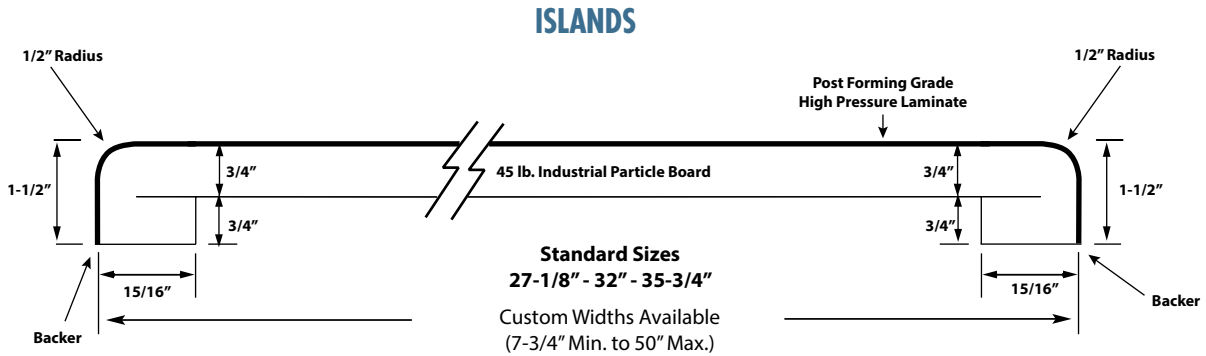
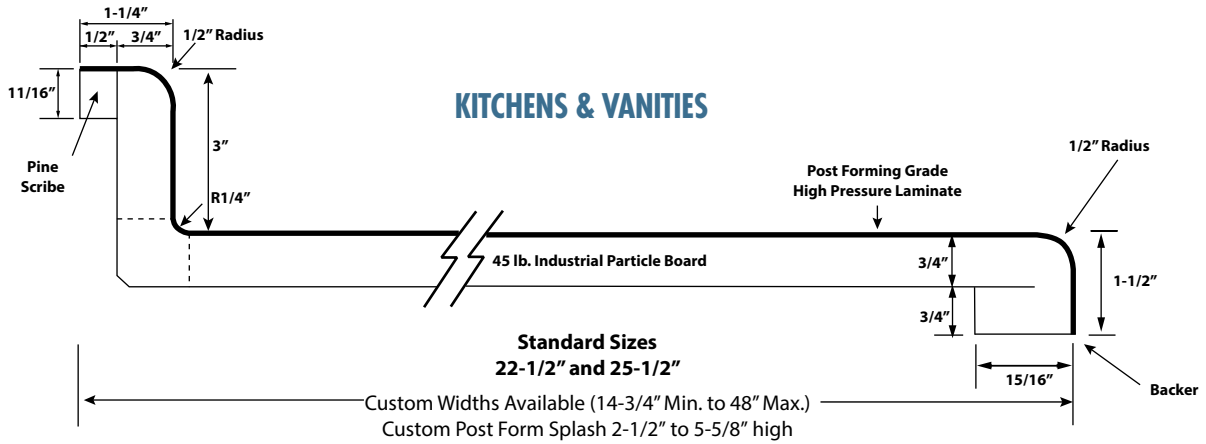
IDEAL EDGE OGEE (FORMICA COLORS ONLY)



SQUARE EDGE

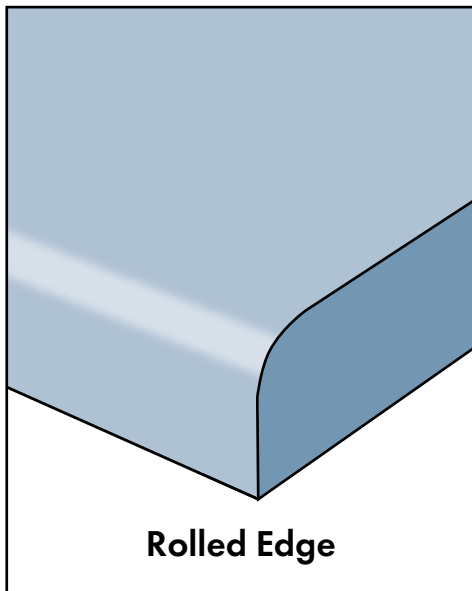


PVC EDGE



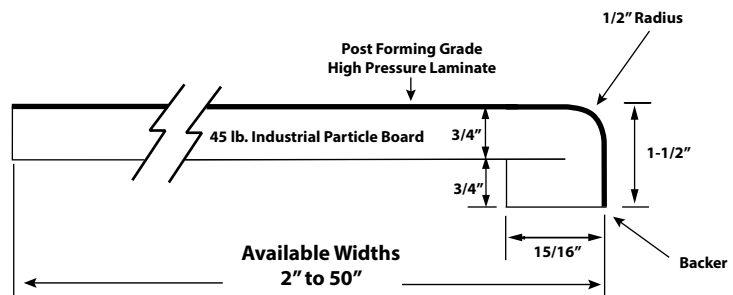
Backer is required for tops that exceed 36" in width when temperature and humidity levels are elevated.

Orders requested without backer will void warranty coverage.

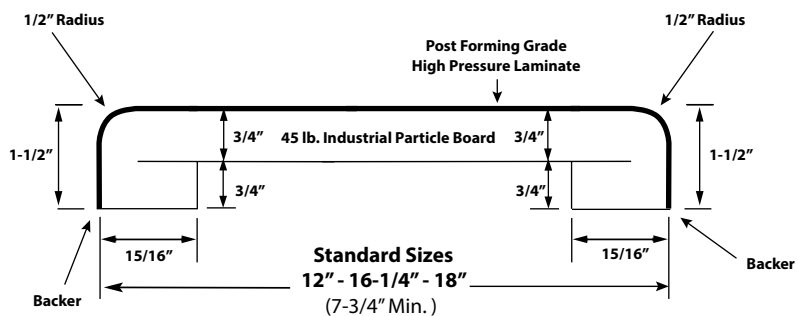


Rolled Edge

SINGLE EDGE COUNTERTOPS



NARROW ISLANDS



Prices Are For 8, 10, & 12' Lengths | Order Minimums Do Apply

(per linear foot)

KITCHEN TOPS

25-1/2" Deep w/ 3" Splash	\$18.52
25" Deep w/ 4" Splash.....	\$18.52
25-1/4" Deep w/ 3-3/4" Splash	\$18.52
25-1/2" Deep w/ 4" Splash	\$25.72

VANITY TOPS

22-1/2" Deep w/ 3" Splash.....	\$18.52
--------------------------------	---------

SINGLE EDGE TOPS

2" to 26" Deep..... color upcharge use Kit. / Van. group	\$18.52
26-1/8" to 34-3/4" color upcharge use Island group (27-1/4" - 45")	\$28.46
34-7/8" to 44" color upcharge use Island group (27-1/4" - 45")	\$39.91
44-1/8" to 49"..... color upcharge use Island group (over 45").....	\$47.71

ISLAND TOPS

12", 16-1/4" AND 18"	\$18.52
27-1/8".....	\$18.52
32", 35-3/4"	\$28.19

SPECIAL DEPTH ISLANDS

7-3/4" to 27" (8', 10', 12' Only)	\$26.69
27-1/4" to 35-1/2"	\$36.97
36" to 45"*	\$39.91
45-1/4" to 50"*	\$47.71

* Backer is required for tops that exceed 36" in width when temperature and humidity levels are elevated. Orders requested without backer will void warranty coverage.

SPECIAL DEPTH &/OR SPLASH HEIGHT (5-5/8" HIGH MAX.)

~Overall top depth plus splash height~ (8', 10' or 12' ONLY)

Equal to or less than 28-1/2".....color upcharge use Kit. / Van. group	\$26.93
28 -5/8" up to 37".....color upcharge use Island group (27-1/4" - 45")	\$36.97
Greater than 37-1/8" up to 51"color upcharge use Island group (over 45").....	\$42.53

ADDITIONAL CHARGES

(per linear foot)

For 4, 5, & 6' Lengths (Where Available).....	ADD	\$0.90
Island Tops With Scribe.....	ADD.....	\$5.50

UPCHARGES

		KIT. / VAN.	ISLANDS	ISLANDS
		(up to 27-1/8" Islands)	(27-1/4" to 45")	(over 45")
Group 1	ADD	\$1.60	\$2.88.....	\$3.20
Group 2.....	ADD	\$3.40	\$6.12	\$6.80
Group 3.....	ADD	\$4.42	\$7.96	\$8.84
Group 4.....	ADD	\$10.30.....	\$18.54.....	\$20.60

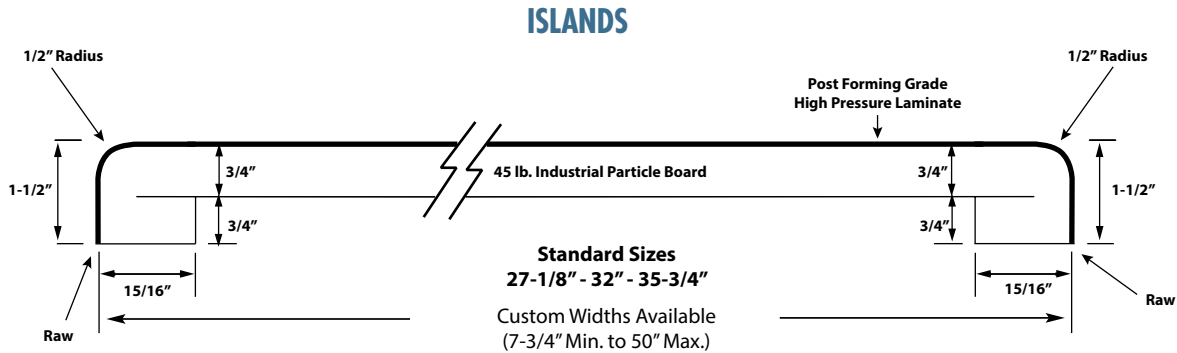
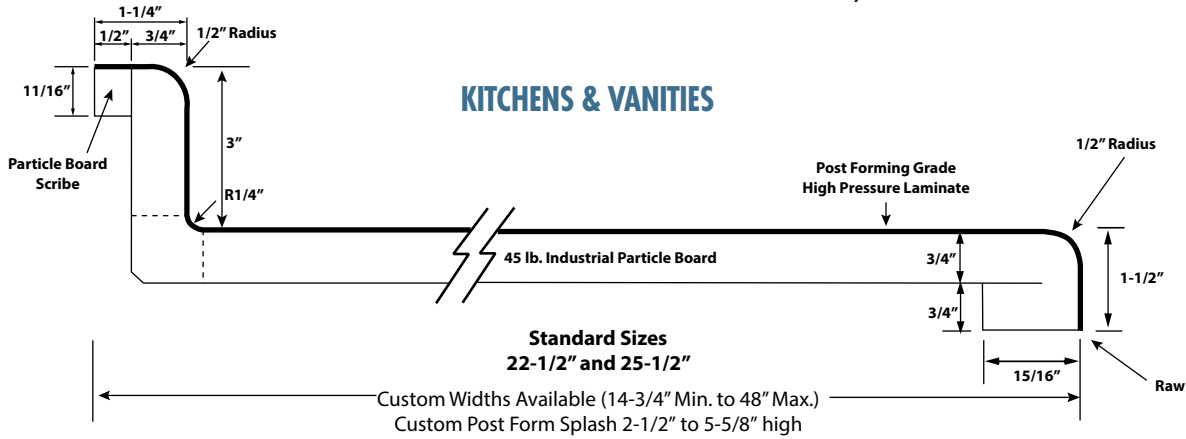
TOPS W/ BACKER

Up to 30" Deep.....	ADD.....	\$6.35
30-1/8" - 45".....	ADD.....	\$8.50
For Tops over 45" deep	ADD.....	\$11.15

Non-stock rush orders are subject to a minimum charge \$115.00

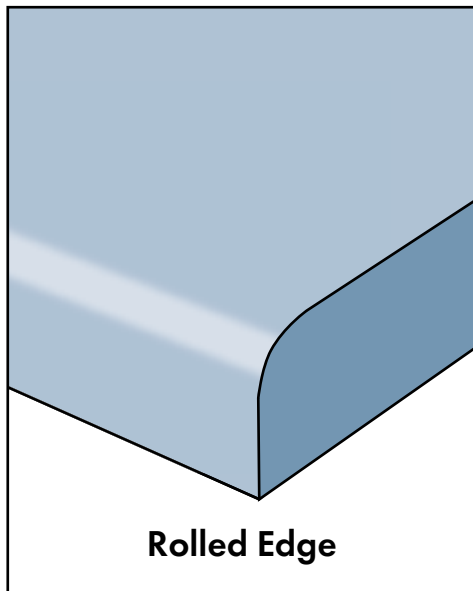


NO BACKER ON FRONT BUILD DOWN, PARTICLE BOARD SCRIBE STICK



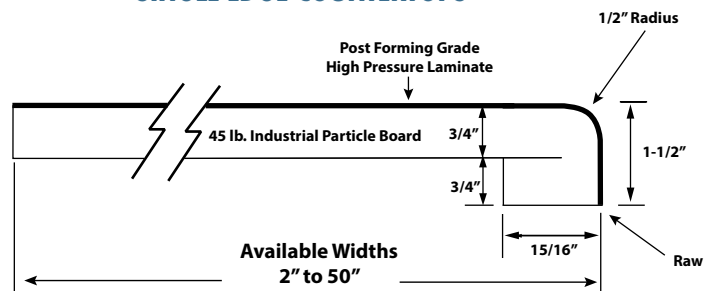
Backer is required for tops that exceed 36" in width when temperature and humidity levels are elevated.

Orders requested without backer will void warranty coverage.

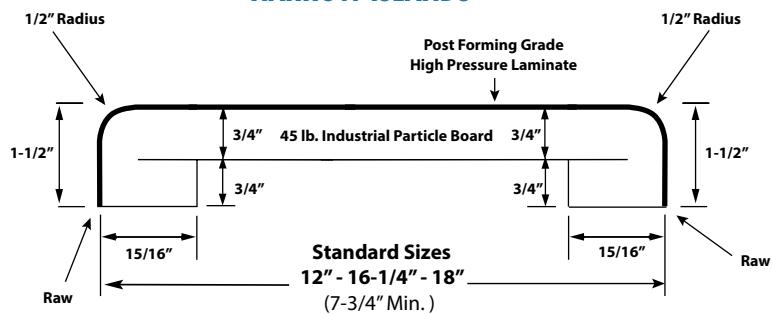


Rolled Edge

SINGLE EDGE COUNTERTOPS



NARROW ISLANDS



Prices Are For 8, 10, & 12' Lengths | Order Minimums Do Apply

KITCHEN TOPS

(per linear foot)

25-1/2" Deep w/ 3" B.S.....	\$ 17.72
25-1/4" Deep w/ 3-3/4" B.S.....	\$ 17.72
25" Deep w/ 4" B.S.....	\$ 17.72

VANITY TOPS

22-1/2" Deep w/ 3" B.S.....	\$ 17.72
-----------------------------	----------

SINGLE EDGE TOPS

2" to 26" Deep..... color upcharge use Kit. / Van. group.....	\$ 17.72
26-1/8" to 34-3/4" color upcharge use Island group (27-1/4" - 45").....	\$27.61
34-7/8" to 44" color upcharge use Island group (27-1/4" - 45").....	\$38.68

ISLAND TOPS

12", 16-1/4" AND 18" Islands.....	\$ 17.72
27-1/8"	\$ 17.72
32" and 35-3/4"	\$27.60
45" *	\$38.68

* Backer is required for tops that exceed 36" in width when temperature and humidity levels are elevated. Orders requested without backer will void warranty coverage.

ADDITIONAL CHARGES

(priced per lin. ft.)

For 4',5',6' Lengths (Combinations must equal full length).....Add.....	\$0.90
Island Tops With Scribe.....ADD.....	\$5.50

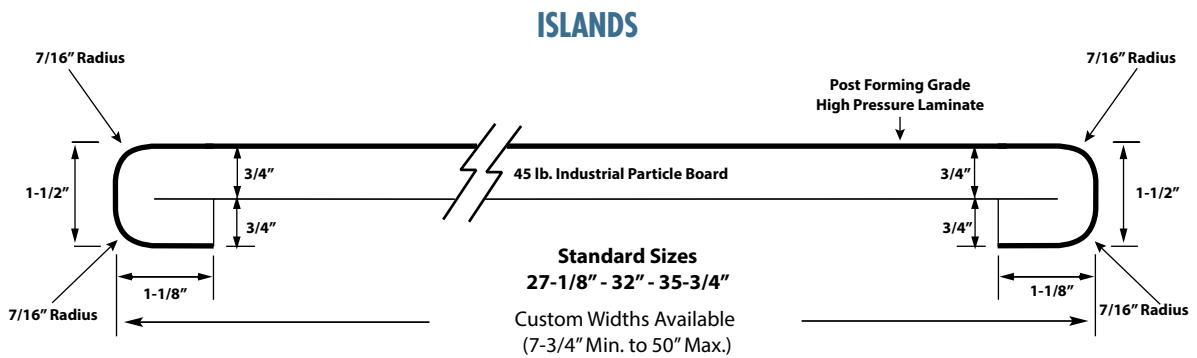
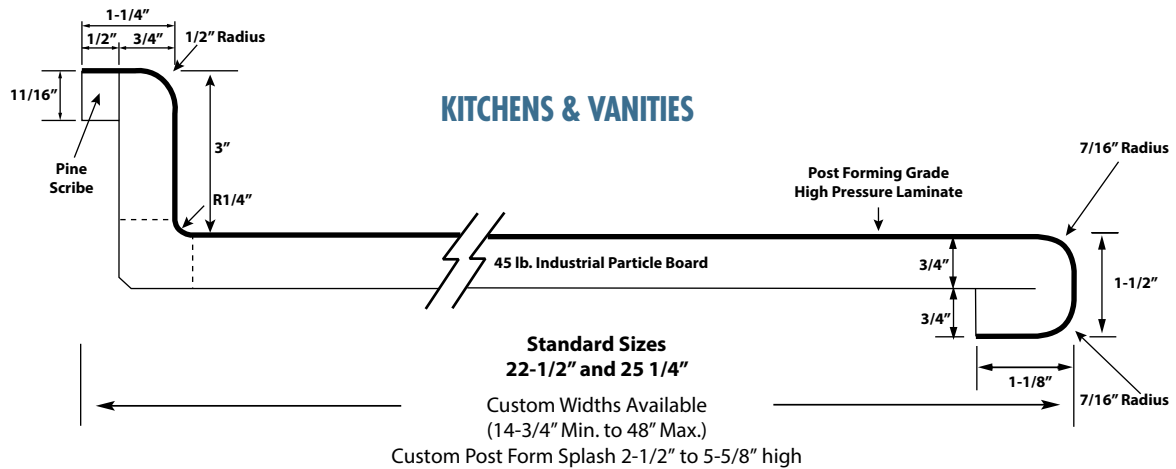
UPCHARGES

	KIT. / VAN. (up to 27-1/8" Islands)	ISLANDS (27-1/4" to 45")	ISLANDS (over 45")
Group 1..... ADD.....	\$ 1.60	\$2.88	\$3.20
Group 2..... ADD.....	\$3.40	\$6.12	\$6.80
Group 3..... ADD.....	\$4.42	\$7.96	\$8.84
Group 4..... ADD.....	\$10.30	\$18.54	\$20.60

TOPS W/ BACKER

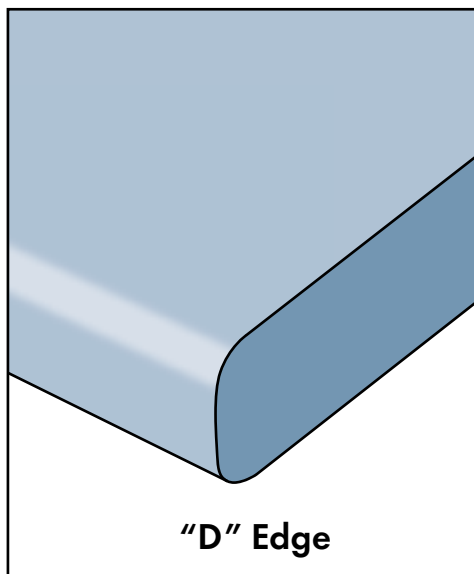
Up to 30" Deep.....ADD.....	\$6.35
30-1/8" - 45".....ADD.....	\$8.50
For Tops over 45" deep.....ADD.....	\$11.15

Non-stock rush orders are subject to a minimum charge..... \$115.00



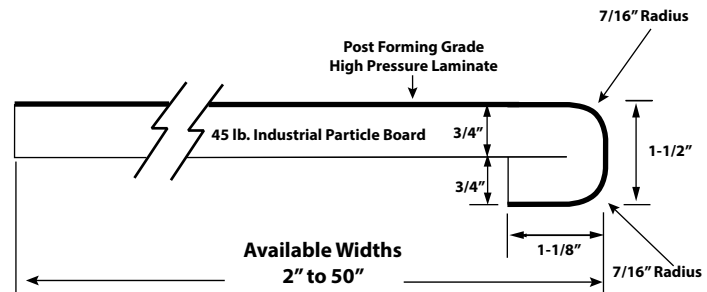
Backer is required for tops that exceed 36" in width when temperature and humidity levels are elevated.

Orders requested without backer will void warranty coverage.

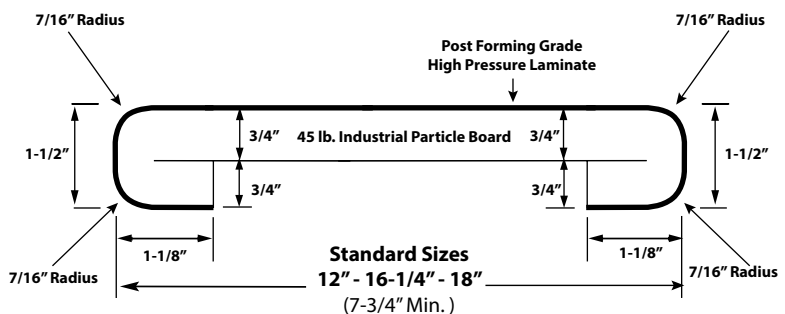


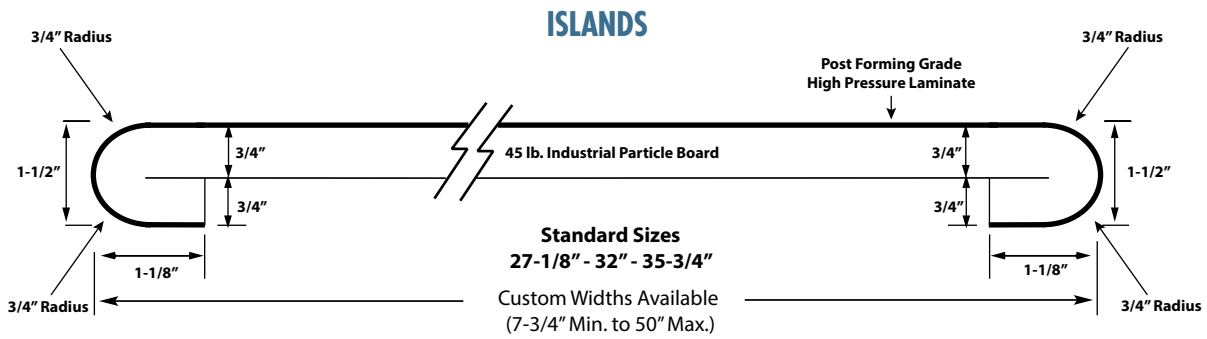
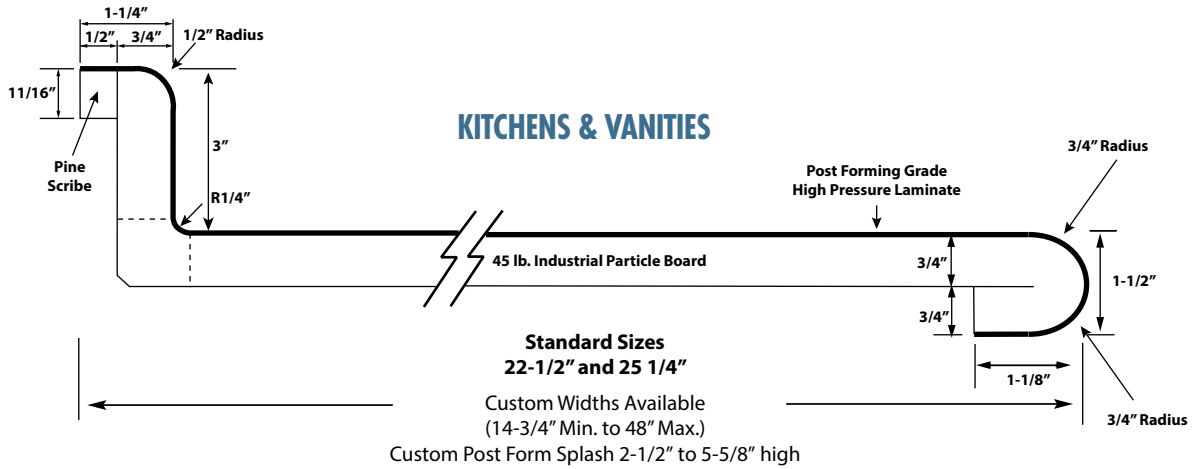
"D" Edge

SINGLE EDGE COUNTERTOPS



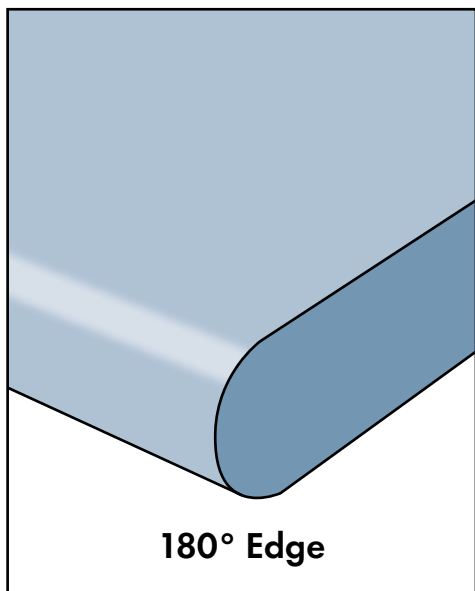
NARROW ISLANDS



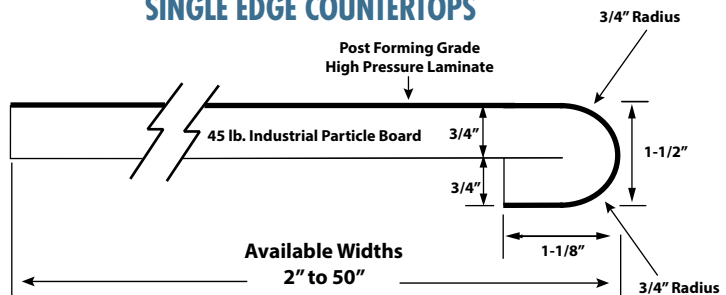


Backer is required for tops that exceed 36" in width when temperature and humidity levels are elevated.

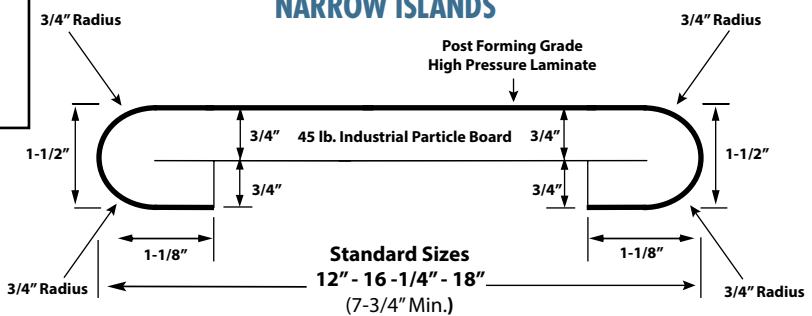
Orders requested without backer will void warranty coverage.



SINGLE EDGE COUNTERTOPS



NARROW ISLANDS





Prices Are For 8, 10, & 12' Lengths | Order Minimums Do Apply

(priced per lin. ft.)

KITCHEN TOPS

Table with 2 columns: Description and Price. Includes items like 25-1/4" Deep w/ 3" Splash, 25-1/2" Deep w/ 3" Splash, and 25-1/2" Deep w/ 4" Splash.

VANITY TOPS

Table with 2 columns: Description and Price. Includes 22-1/2" Deep w/ 3" Splash.

SINGLE EDGE TOPS

Table with 2 columns: Description and Price. Includes items like 2" to 26" Deep, 26-1/8" to 34-3/4", 34-7/8" to 42", and 42-1/8" to 49".

ISLAND TOPS

Table with 2 columns: Description and Price. Includes items like 12", 16-1/4" AND 18", 27-1/8", and 32", 35-3/4".

SPECIAL DEPTH ISLANDS

Table with 2 columns: Description and Price. Includes items like 7-3/4" to 27", 27-1/4" to 35-5/8", 35-7/8" to 43", and 43-1/8" to 50".

* Backer is required for tops that exceed 36" in width when temperature and humidity levels are elevated. Orders requested without backer will void warranty coverage.

SPECIAL DEPTH &/OR SPLASH HEIGHT (5-5/8" HIGH MAX.)

~Overall top depth plus splash height~ (8', 10' or 12' ONLY)

Table with 2 columns: Description and Price. Includes items like Equal to or less than 28-1/4", 28-3/8" up to 37", and Greater than 37-1/8" up to 51".

ADDITIONAL CHARGES

(priced per lin. ft.)

Table with 2 columns: Description and Price. Includes For 4, 5, & 6' Lengths and Island Tops With Scribe.

UPCHARGES

Table with 4 columns: Description, KIT. / VAN., ISLANDS (27-1/4" to 45"), and ISLANDS (over 45").

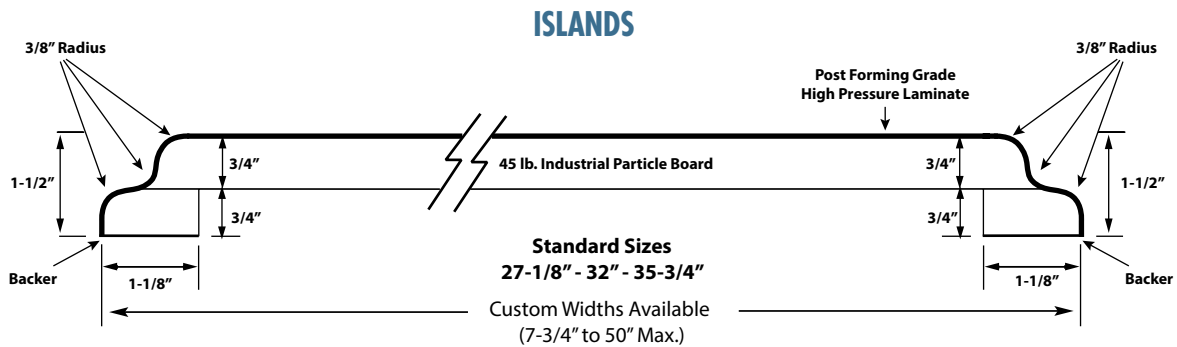
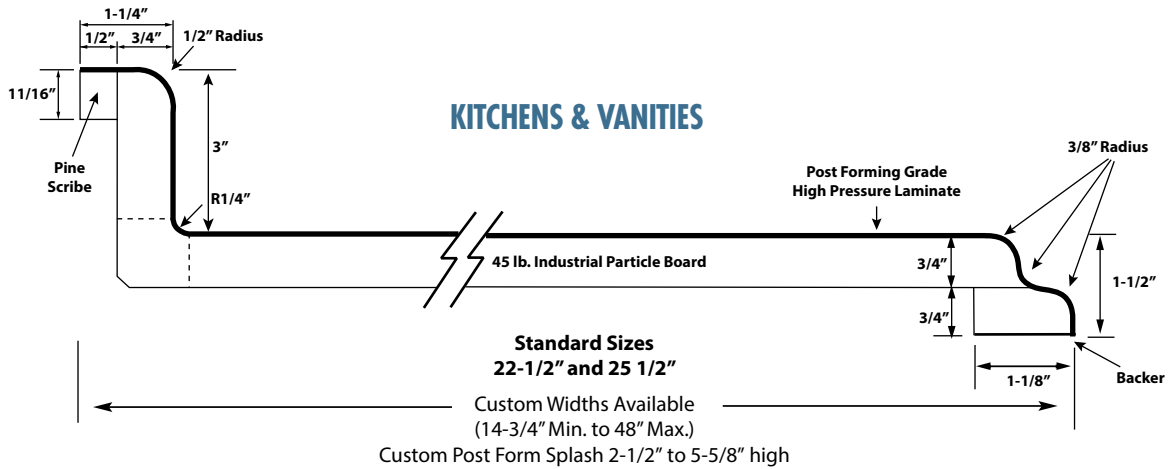
TOPS W/ BACKER

Table with 2 columns: Description and Price. Includes Up to 30" Deep, 30-1/8" - 45", and For Tops over 45" deep.

Non-stock rush orders are subject to a minimum charge \$115.00

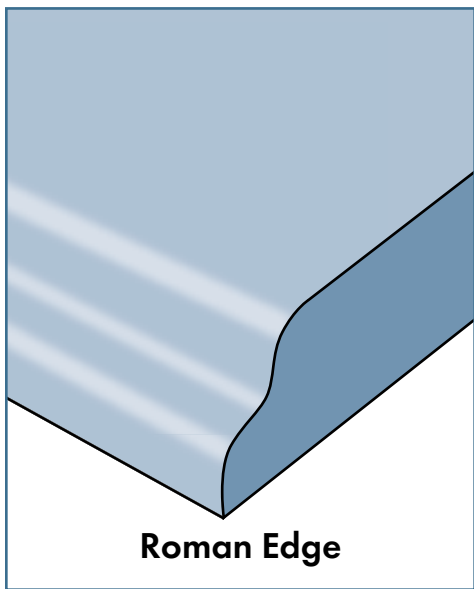


Not available with certain colors and finishes.



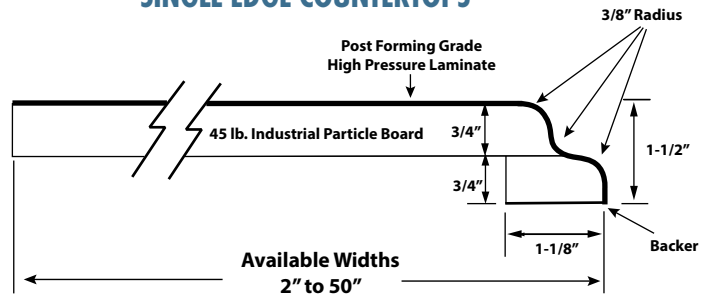
Backer is required for tops that exceed 36" in width when temperature and humidity levels are elevated.

Orders requested without backer will void warranty coverage.

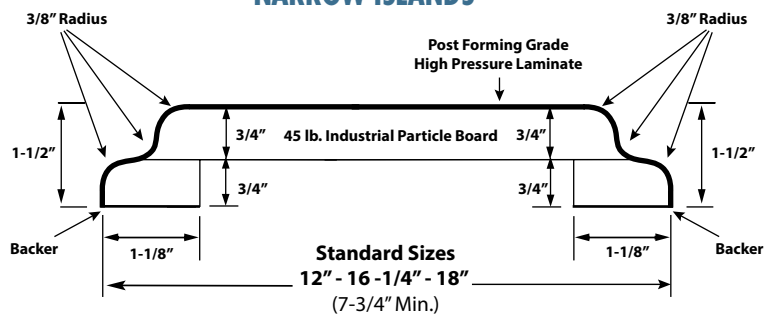


Roman Edge

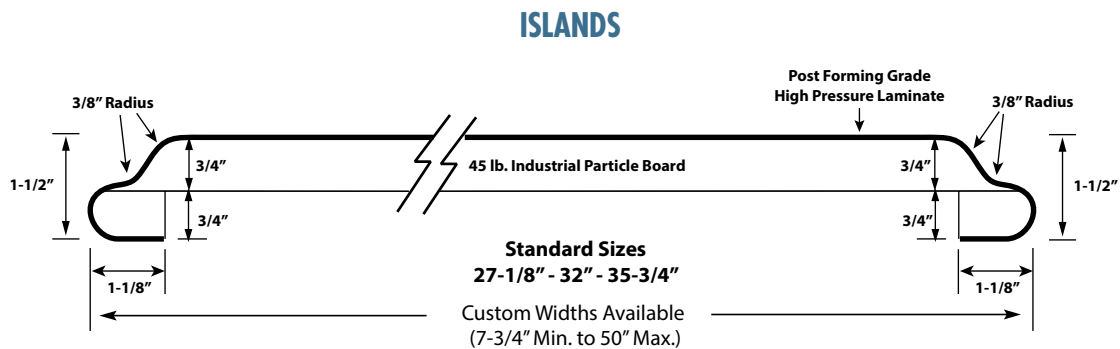
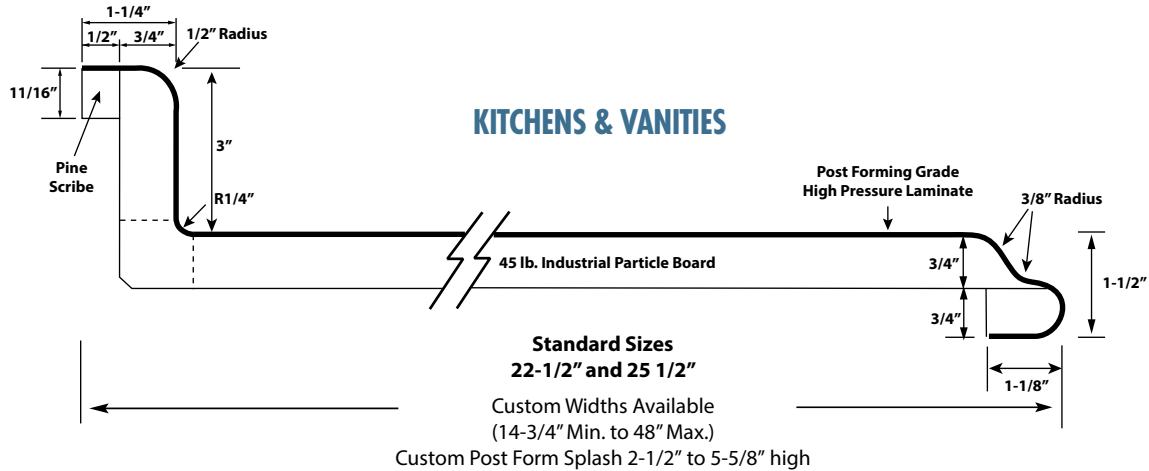
SINGLE EDGE COUNTERTOPS



NARROW ISLANDS

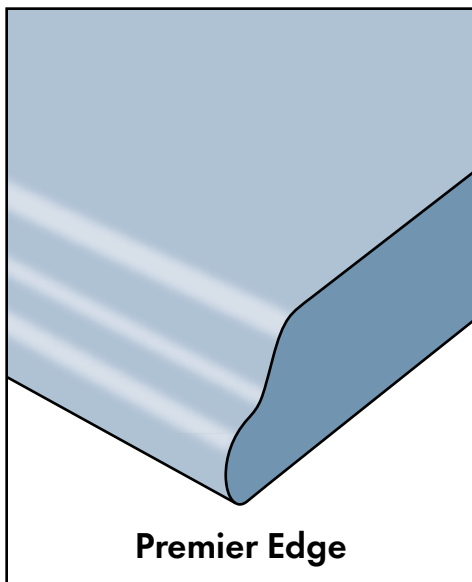


Not available with certain colors and finishes.

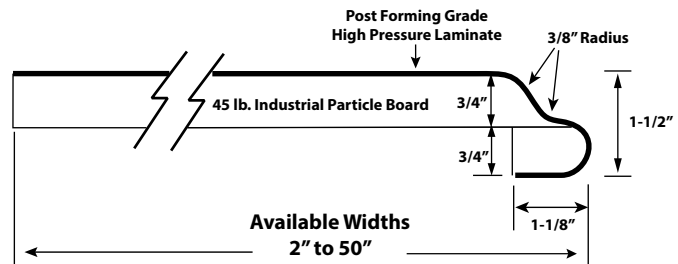


Backer is required for tops that exceed 36" in width when temperature and humidity levels are elevated.

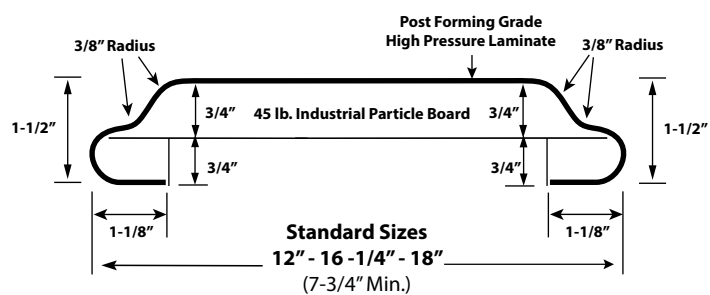
Orders requested without backer will void warranty coverage.



SINGLE EDGE COUNTERTOPS

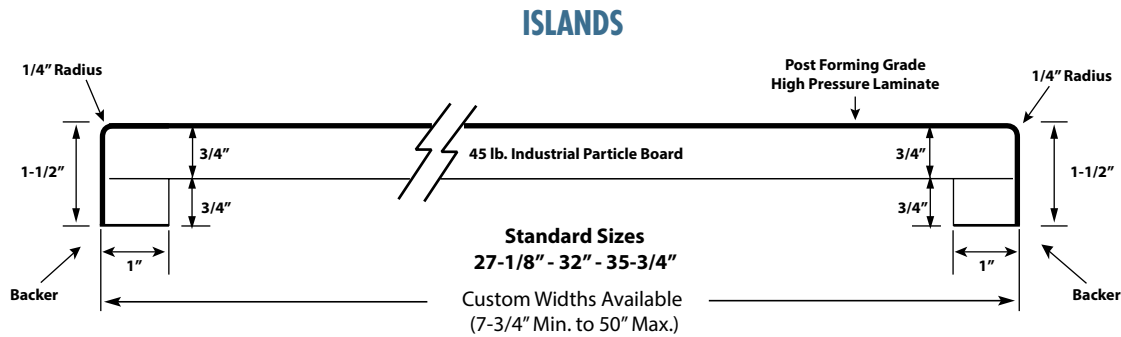
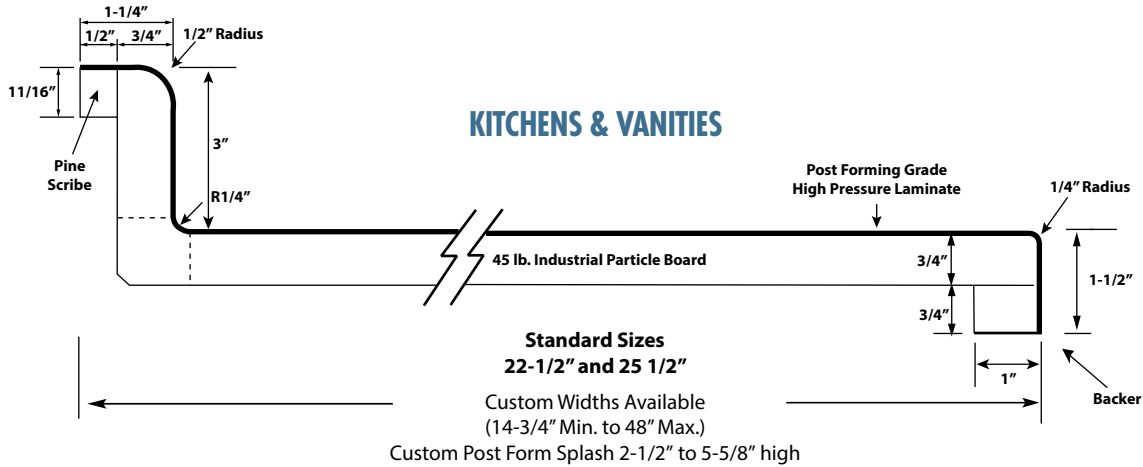


NARROW ISLANDS



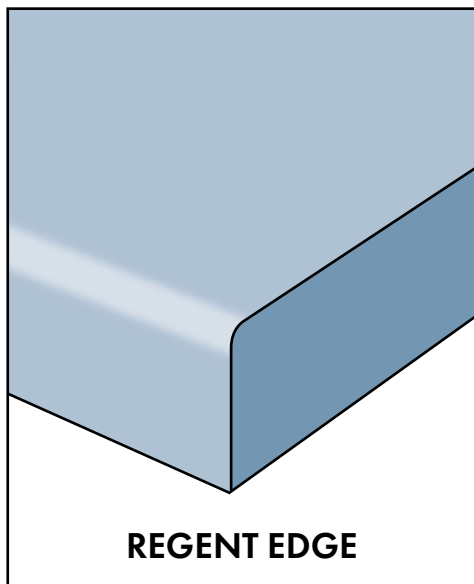


Not available with certain colors and finishes.



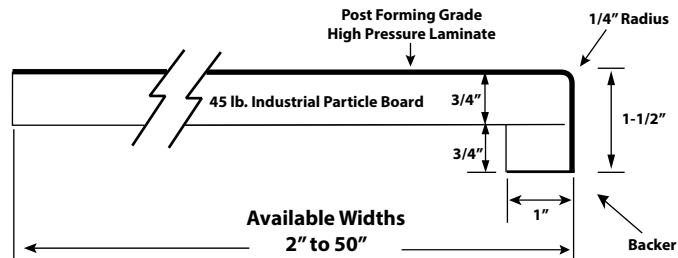
Backer is required for tops that exceed 36" in width when temperature and humidity levels are elevated.

Orders requested without backer will void warranty coverage.

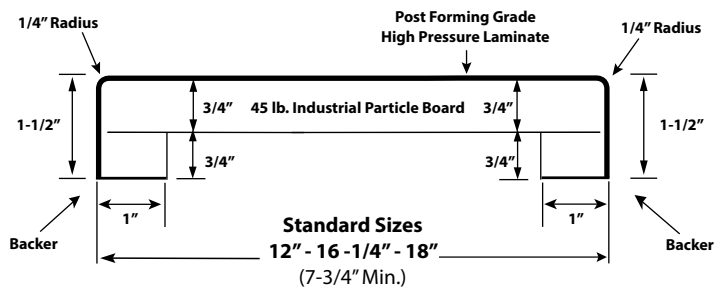


REGENT EDGE

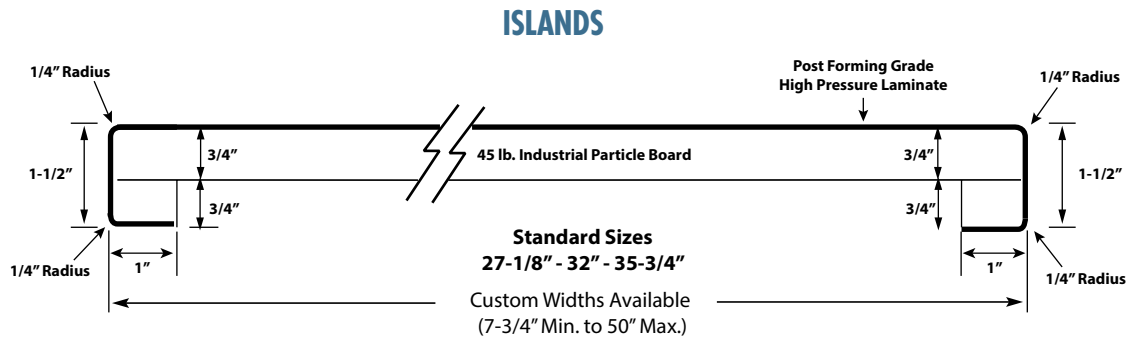
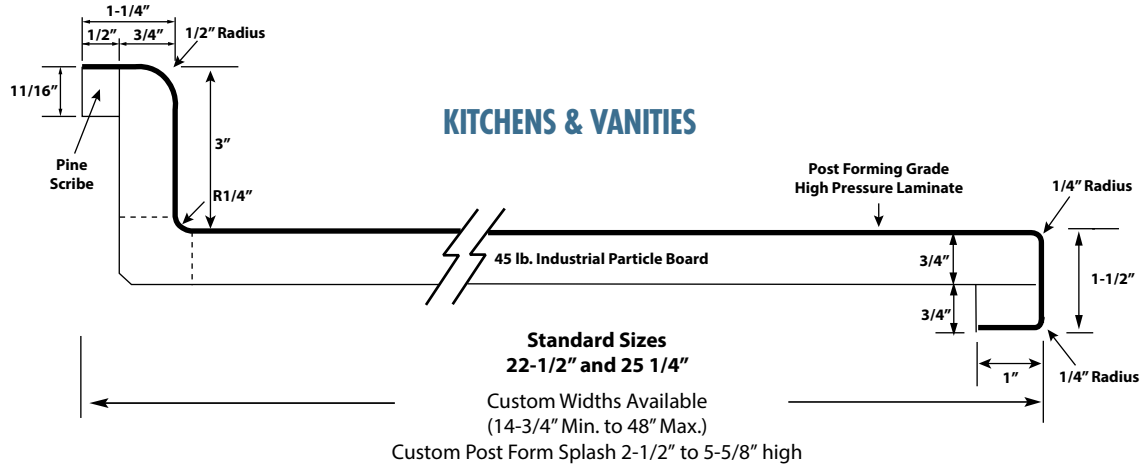
SINGLE EDGE COUNTERTOPS



NARROW ISLANDS

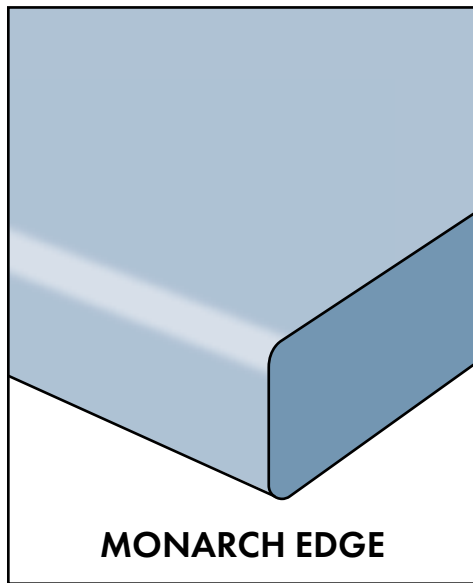


Not available with certain colors and finishes.

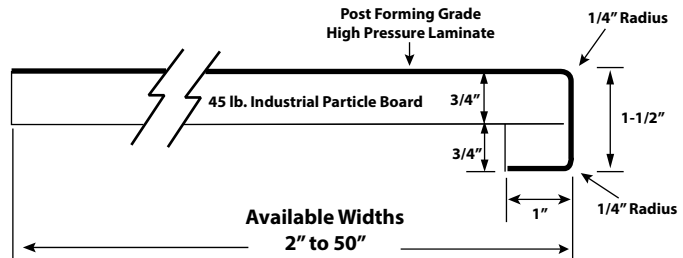


Backer is required for tops that exceed 36" in width when temperature and humidity levels are elevated.

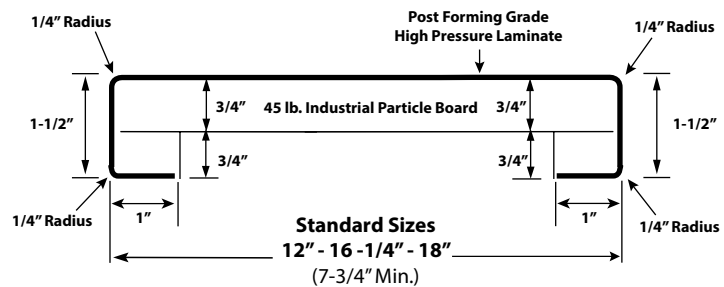
Orders requested without backer will void warranty coverage.



SINGLE EDGE COUNTERTOPS



NARROW ISLANDS





Prices Are For 8, 10, & 12' Lengths | Order Minimums Do Apply

KITCHEN TOPS

(per linear foot)

25-1/4" Deep w/ 3" Splash - Monarch Only	\$22.52
25-1/2" Deep w/ 3" Splash	\$22.52
25" Deep w/ 4" Splash	\$29.72
25-1/2" Deep w/ 4" Splash	\$29.72

VANITY TOPS

22-1/2" Deep w/ 3" Splash	\$22.52
---------------------------------	---------

SINGLE EDGE TOPS

2" to 26" Deep..... color upcharge use Kit. / Van. group	\$22.52
26-1/8" to 34-3/4" color upcharge use Island group (27-1/4" - 45")	\$32.19
34-7/8" to 44" color upcharge use Island group (27-1/4" - 45")	\$43.91
44-1/8" to 49" color upcharge use Island group (over 45").....	\$51.71

ISLAND TOPS

12", 16-1/4" AND 18"	\$22.52
27-1/8".....	\$28.68
32", 35-3/4"	\$32.19

SPECIAL DEPTH ISLANDS

For large quantities in special sizes - call for pricing

7-3/4" to 27" (8', 10', 12' Only).... color upcharge use Kit. / Van. group.....	\$30.69
27-1/4" to 35-1/2" color upcharge use Island group (27-1/4" - 45")	\$40.97
36" to 45"* color upcharge use Island group (27-1/4" - 45")	\$43.91
45-1/4" to 50"* color upcharge use Island group (over 45").....	\$51.71

* Backer is required for tops that exceed 36" in width when temperature and humidity levels are elevated. Orders requested without backer will void warranty coverage.

SPECIAL DEPTH &/OR SPLASH HEIGHT (5-5/8" HIGH MAX.)

~Overall top depth plus splash height~ (8', 10' or 12' ONLY)

Equal to or less than 28-1/2".....color upcharge use Kit. / Van. group	\$30.93
28 -1/2" up to 37".....color upcharge use Island group (27-1/4" - 45")	\$40.97
Greater than 37-1/8" up to 51"color upcharge use Island group (over 45").....	\$46.53

ADDITIONAL CHARGES

(per linear foot)

For 4, 5, & 6' Lengths (where available)	ADD	\$0.90
Island Tops With Scribe.....	ADD	\$5.50

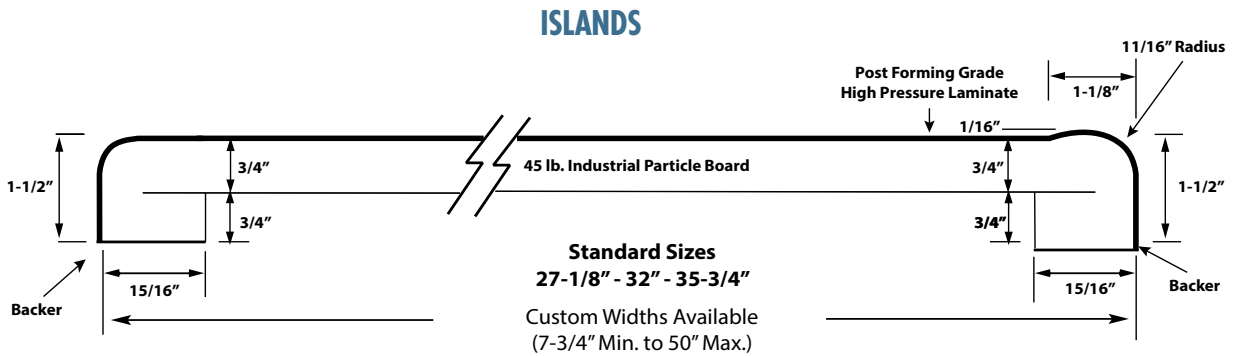
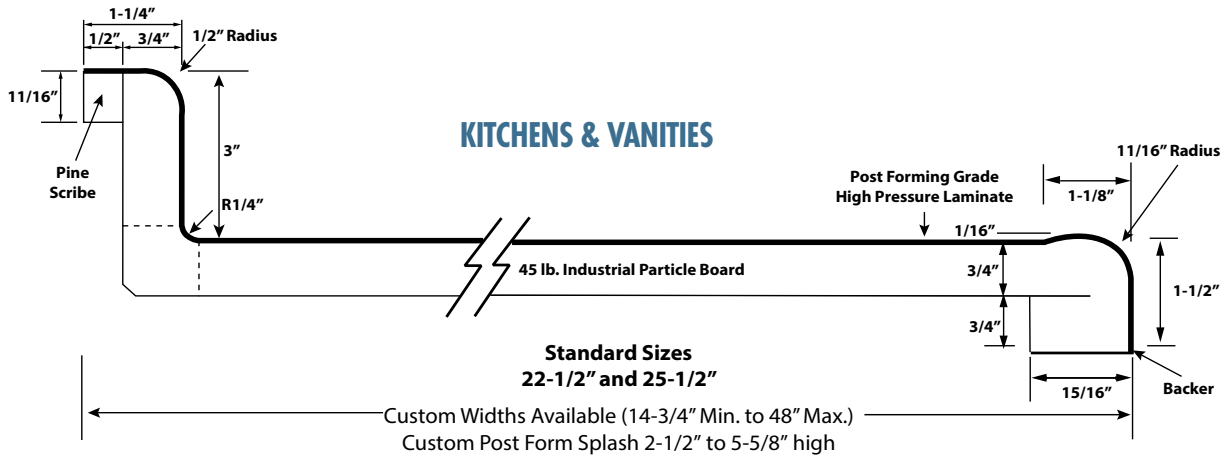
UPCHARGES

		KIT. / VAN.	ISLANDS	ISLANDS
		(up to 27-1/8" Islands)	(27-1/4" to 45")	(over 45")
Group 1	ADD	\$1.60	\$2.88.....	\$3.20
Group 2	ADD	\$3.40	\$6.12	\$6.80
Group 3.....	ADD	\$4.42	\$7.96.....	\$8.84
Group 4.....	ADD	\$10.30.....	\$18.54.....	\$20.60

TOPS W/ BACKER

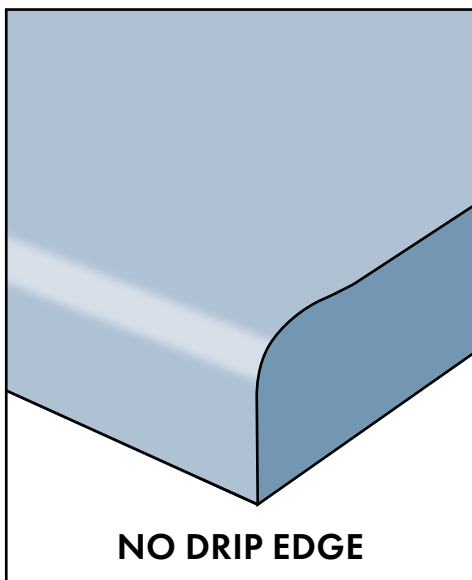
Up to 30" Deep.....	ADD	\$6.35
30-1/8" - 45".....	ADD	\$8.50
For Tops over 45" deep	ADD	\$11.15

Non-stock rush orders are subject to a minimum charge \$115.00



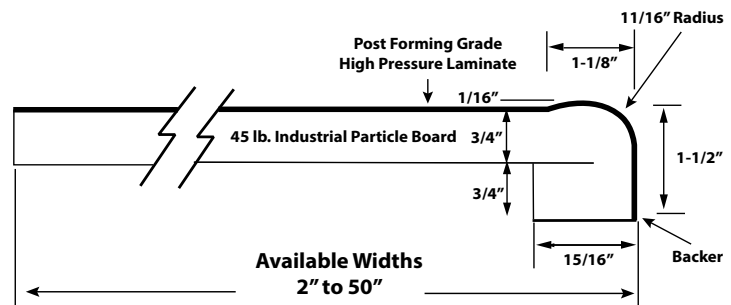
Backer is required for tops that exceed 36" in width when temperature and humidity levels are elevated.

Orders requested without backer will void warranty coverage.

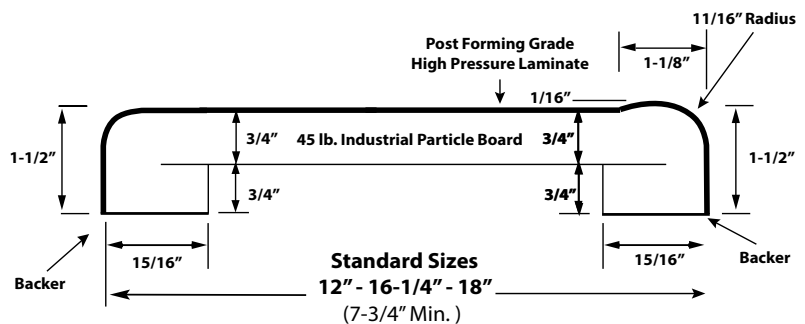


NO DRIP EDGE

SINGLE EDGE COUNTERTOPS



NARROW ISLANDS



Prices Are For 8, 10, & 12' Lengths | Order Minimums Do Apply

KITCHEN TOPS

(per linear foot)

25-1/2" Deep w/ 3" Splash	\$18.52
25" Deep w/ 4" Splash	\$18.52
25-1/4" Deep w/ 3-3/4" Splash	\$18.52
25-1/2" Deep w/ 4" Splash	\$25.72

VANITY TOPS

22-1/2" Deep w/ 3" Splash	\$18.52
---------------------------------	---------

SINGLE EDGE TOPS

2" to 26" Deep	color upcharge use Kit. / Van. group	\$18.52
26-1/8" to 34-3/4"	color upcharge use Island group (27-1/4" - 45")	\$28.46
34-7/8" to 44"	color upcharge use Island group (27-1/4" - 45")	\$39.91
44-1/8" to 49"	color upcharge use Island group (over 45")	\$47.71

ISLAND TOPS

12", 16-1/4" AND 18"	Islands have No Drip Edge on one side only.....	\$18.52
27-1/8"	Islands have No Drip Edge on one side only.....	\$18.52
32", 35-3/4"	Islands have No Drip Edge on one side only.....	\$28.19

SPECIAL DEPTH ISLANDS

For large quantities in special sizes - call for pricing

7-3/4" to 27"	Islands have No Drip Edge on one side only.....	\$26.69
27-1/4" to 35-1/2"	Islands have No Drip Edge on one side only.....	\$36.97
36" to 45"*	Islands have No Drip Edge on one side only.....	\$39.91
45-1/4" to 50"*	Islands have No Drip Edge on one side only.....	\$47.71

* Backer is required for tops that exceed 36" in width when temperature and humidity levels are elevated. Orders requested without backer will void warranty coverage.

SPECIAL DEPTH &/OR SPLASH HEIGHT (5-5/8" HIGH MAX.)

~Overall top depth plus splash height~ (8', 10' or 12' ONLY)

Equal to or less than 28-1/2"	color upcharge use Kit. / Van. group	\$26.93
28 -1/2" up to 37"	color upcharge use Island group (27-1/4" - 45")	\$36.97
Greater than 37-1/8" up to 51"	color upcharge use Island group (over 45")	\$42.53

ADDITIONAL CHARGES

(per linear foot)

For 4, 5, & 6' Lengths (where available)	ADD	\$0.90
Island Tops With Scribe.....	ADD	\$5.50

UPCHARGES

		KIT. / VAN. (up to 27-1/8" Islands)	ISLANDS (27-1/4" to 45")	ISLANDS (over 45")
Group 1	ADD	\$1.60	\$2.88	\$3.20
Group 2	ADD	\$3.40	\$6.12	\$6.80
Group 3	ADD	\$4.42	\$7.96	\$8.84
Group 4	ADD	\$10.30	\$18.54	\$20.60

TOPS W/ BACKER

Up to 30" Deep	ADD	\$6.35
30-1/8" - 45"	ADD	\$8.50
For Tops over 45" deep	ADD	\$11.15

Non-stock rush orders are subject to a minimum charge \$115.00



Prices Are For 8, 10, & 12' Lengths | Order Minimums Do Apply

(Extend Lead Times)

RAW EDGES - KITCHEN TOPS

(price are per ln. ft.)

25-1/2" Deep w/ 3" Splash	\$18.52
25-1/2" Deep w/ 4" Splash	\$19.52

RAW EDGES - VANITY TOPS

22-1/2" Deep w/ 3" Splash	\$18.52
22-1/2" Deep w/ 3-3/4" Splash	\$18.52

RAW EDGES - SPECIAL DEPTH &/OR SPLASH HEIGHT (5-1/2" HIGH MAX.)

~Overall top depth plus splash height~ (8', 10' or 12' ONLY)

Equal to or less than 28-1/2"	color upcharge use Kit. / Van. group	\$26.92
28 -1/2" up to 37"	color upcharge use Island group (27-1/4" - 45")	\$36.97
Greater than 37-1/8" up to 51"	color upcharge use Island group (over 45")	\$42.53

ADDITIONAL CHARGES

PVC Edge Applied	Priced per lin. ft., up to 1-1/2" edge.....	ADD to Raw Edge Price (per edge)	\$5.00
Laminate Edge Applied.....	Priced per lin. ft., up to 1-1/2" edge.....	ADD to Raw Edge Price (per edge)	\$3.00

Note: If back splash has rolled edge, add for front edge only

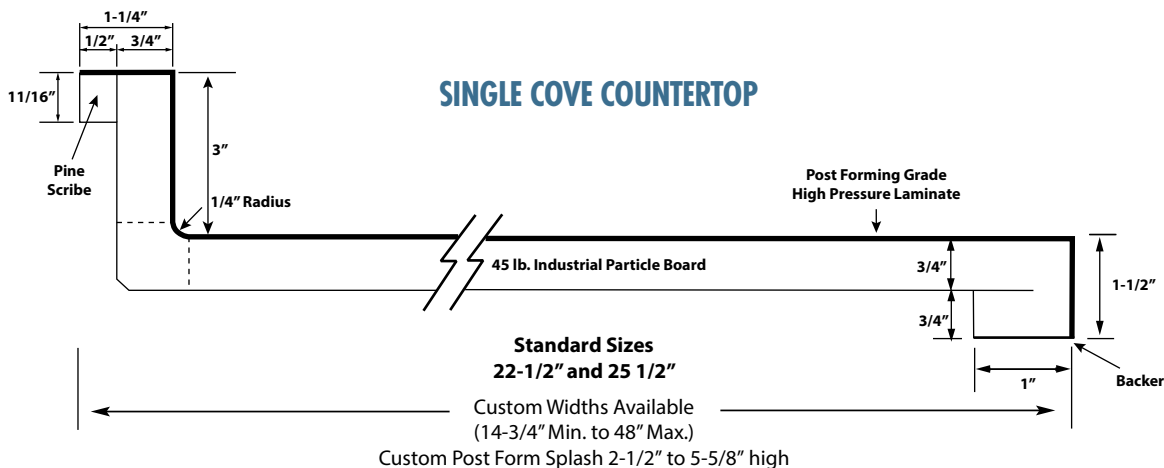
UPCHARGES

		KIT. / VAN. (up to 27-1/8" Islands)	ISLANDS (27-1/4" to 45")	ISLANDS (over 45")
Group 1	ADD	\$1.60	\$2.88	\$3.20
Group 2	ADD	\$3.40	\$6.12	\$6.80
Group 3	ADD	\$4.42	\$7.96	\$8.84
Group 4	ADD	\$10.30	\$18.54	\$20.60

TOPS W/ BACKER

(price are per ln. ft.)

Up to 30" Deep	ADD	\$6.35
30-1/8" - 45"	ADD	\$8.50
For tops over 45" Deep	ADD	\$11.15



SELF EDGE (SQ) W/LAMINATE OR PVC

Prices Are For 8, 10, & 12' Lengths | Order Minimums Do Apply

For large quantities - call for pricing

(Extend Lead Times)

ISLANDS

2 long edges - with 3/4" bld down

(price are per ln. ft.)

	RAW	LAMINATE	PVC
1" to 12"	\$15.07	\$21.07	\$25.07
12-1/8" to 18"	\$19.98	\$25.98	\$29.98
18-1/8" to 26"	\$20.22	\$26.22	\$30.22
26-1/8" to 36"	\$29.50	\$35.50	\$39.50
36-1/8" to 48"*	\$34.08	\$40.08	\$44.08
48-1/8" to 60"*	\$40.86	\$46.86	\$50.86

* Backer is required for tops that exceed 36" in width when temperature and humidity levels are elevated. Orders requested without backer will void warranty coverage.

UPCHARGES

	(1" to 6")	(6-1/8" to 18")	(18-1/8" to 27 1/4")	(27 1/4" to 45")	(over 45")
Group 1	ADD \$0.40	\$0.80	\$1.60	\$2.88	\$3.20
Group 2	ADD \$0.85	\$1.70	\$3.40	\$6.12	\$6.80
Group 3	ADD \$1.11	\$2.21	\$4.42	\$7.96	\$8.84
Group 4	ADD \$2.58	\$5.15	\$10.30	\$18.54	\$20.60

SINGLE EDGE

1 long edge - with 3/4" bld down

(price are per square ft.)

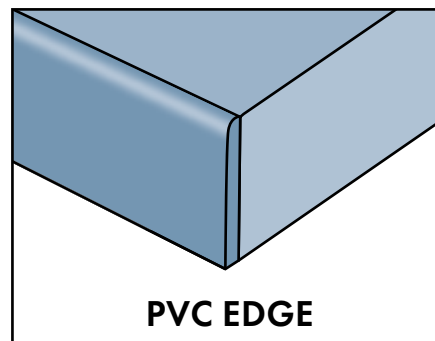
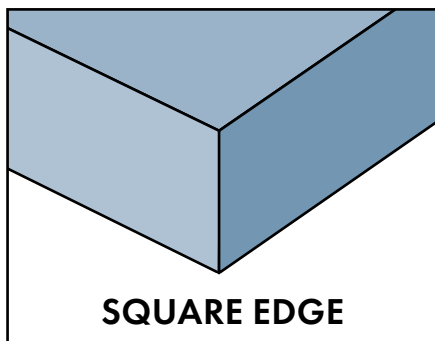
	RAW	LAMINATE	PVC
1" to 12"	\$12.59	\$15.59	\$17.59
12" to 18"	\$17.50	\$20.50	\$22.50
18-1/8 to 27"	\$17.74	\$20.74	\$22.74
27-1/8" to 36"	\$27.02	\$30.02	\$32.02
36-1/8" to 48"	\$31.60	\$34.60	\$36.60
48-1/8" to 60"	\$38.38	\$41.38	\$43.38

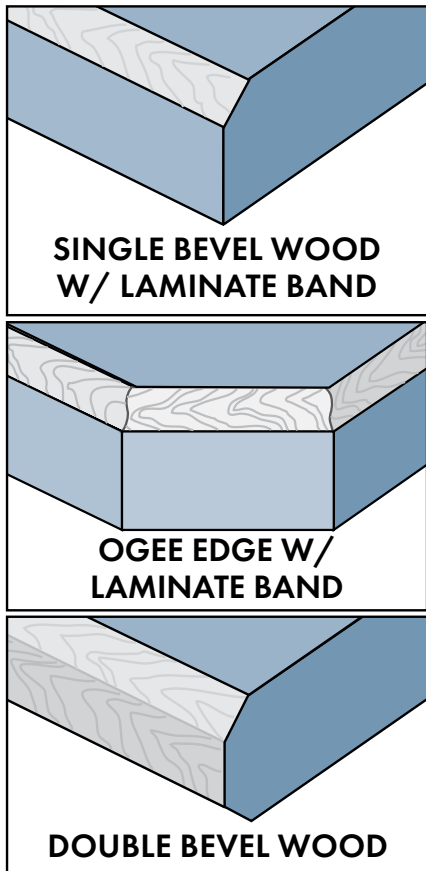
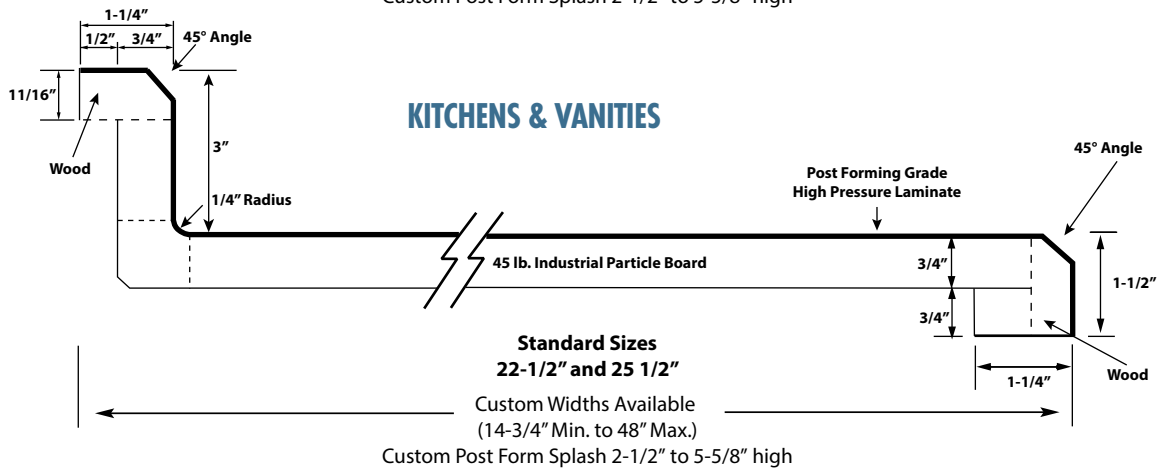
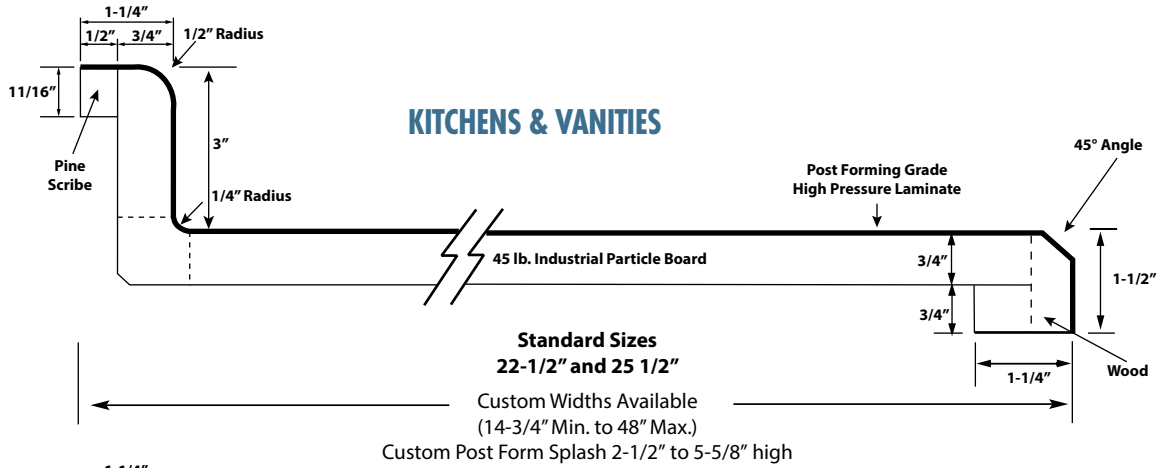
ADDITIONAL CHARGES

Apply Backer to Bottom..... 6" increments will be used..... add \$2.40

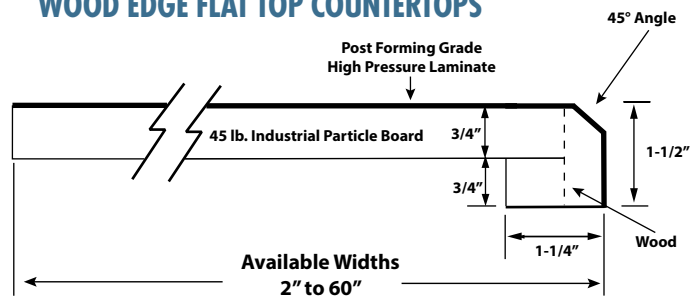
Island Tops With Scribe..... add \$5.50

* Non-stock rush orders are subject to a minimum charge..... \$115.00

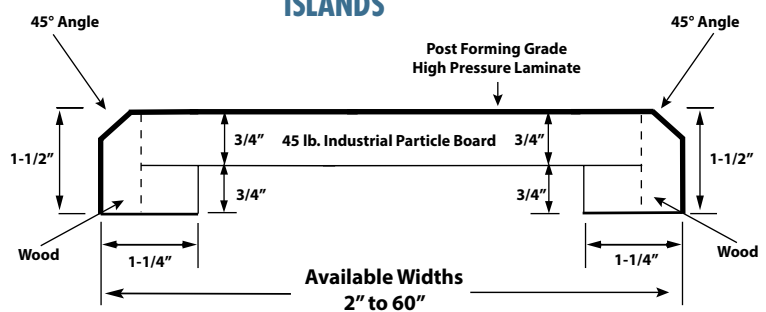




WOOD EDGE FLAT TOP COUNTERTOPS

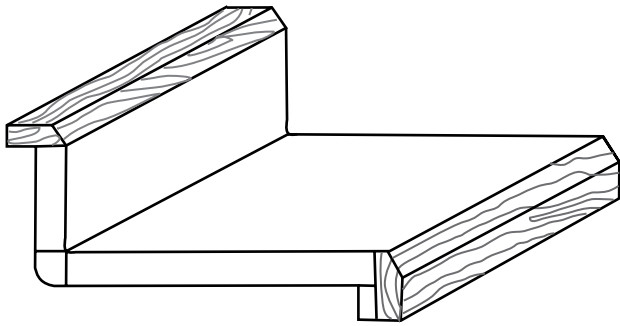


ISLANDS

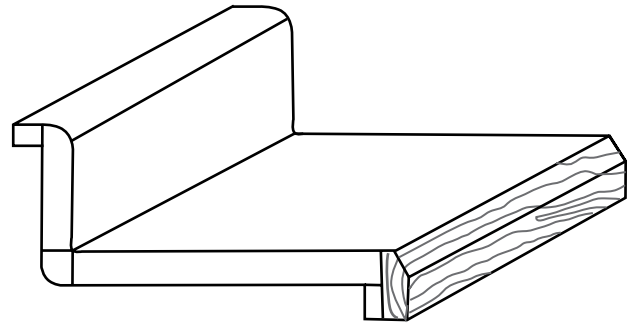


Backer is required for tops that exceed 36" in width when temperature and humidity levels are elevated.

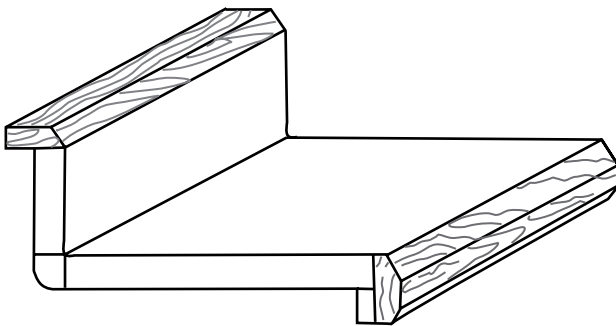
Orders requested without backer will void warranty coverage.



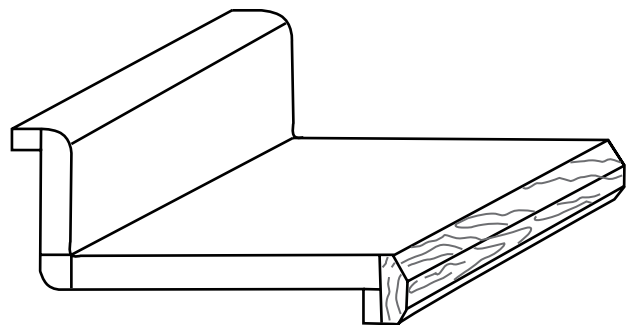
137
Wood Edge Front and Back Single Bevel



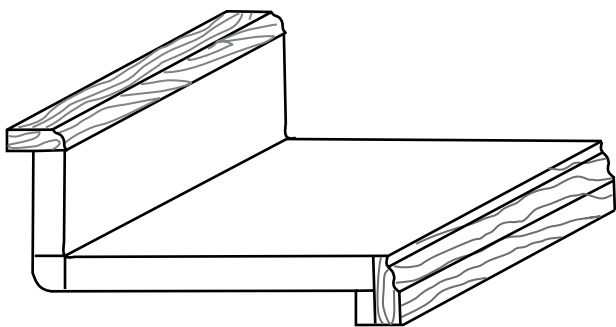
141
Rolled Backsplash and Wood Front Single Bevel



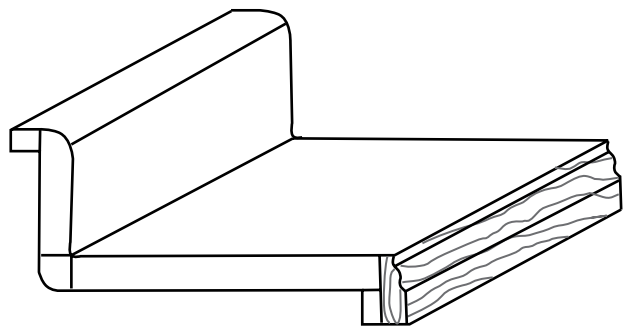
138
Wood Edge Front and Back Double Bevel on Front



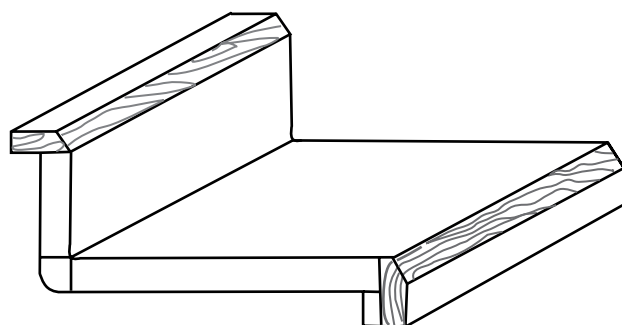
142
Rolled Backsplash and Wood Front Double Bevel



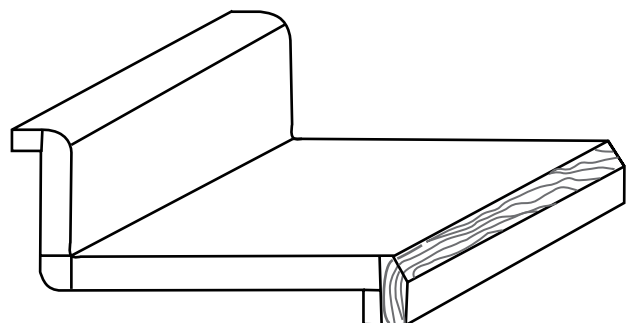
139
Wood Edge Front and Back Ogee



143
Rolled Backsplash and Wood Front Ogee



All Styles Available With Laminate Band



All Styles Available With Laminate Band



Prices Are For 8, 10, & 12' Lengths | Order Minimums Do Apply

KITCHEN TOPS (REF 130'S)

~ WOOD FRONT WITH WOOD SPLASH

(per linear foot)

25-1/2" Deep w/ 3" Splash\$35.78

VANITY TOPS (REF 130'S)

~ WOOD FRONT WITH WOOD SPLASH

22-1/2" Deep w/ 3" Splash\$35.78

KITCHEN TOPS (REF 140'S)

~ WOOD FRONT WITH ROLLED SPLASH

25-1/2" Deep w/ 3" Splash\$29.44

VANITY TOPS (REF 140'S)

~ WOOD FRONT WITH ROLLED SPLASH

22-1/2" Deep w/ 3" Splash\$29.44

ISLANDS W/WOOD 2 SIDES

Up to 27" Island..... color upcharge use kit. / van. group \$36.16

27-1/8" to 36" Island.....color upcharge use island group (27-1/4" - 45")\$43.96

36-1/8" to 45" Island*color upcharge use island group (27-1/4" - 45") \$54.20

45-1/8" to 60" Island*color upcharge use island group (over45")..... \$64.44

* Backer is required for tops that exceed 36" in width when temperature and humidity levels are elevated. Orders requested without backer will void warranty coverage.

FLAT TOPS - WOOD FRONT, RAW BACK

Up to 27" Deep..... color upcharge use kit. / van. group \$29.14

27-1/8" to 36" Deep.....color upcharge use island group (27-1/4" - 45")\$36.92

36-1/8" to 45" Deep.....color upcharge use island group (27-1/4" - 45")\$47.16

45-1/8" to 60" Deep.....color upcharge use island group (over45")\$57.42

ADDITIONAL CHARGES

UPCHARGES	KIT. / VAN.	ISLANDS	ISLANDS
	(up to 27-1/8" Islands)	(27-1/4" to 45")	(over 45")
Group 1 ADD	\$1.60	\$2.88	\$3.20
Group 2 ADD	\$3.40	\$6.12	\$6.80
Group 3 ADD	\$4.42	\$7.96	\$8.84
Group 4 ADD	\$10.30	\$18.54	\$20.60
Oak.....Add	\$0.00		
HickoryAdd	\$0.00		
MapleAdd	\$1.00		
Cherry.....Add	\$2.00		

Add Laminate band to wood edge (front edge and/or back splash).....add per edge\$2.78

NOTE: If other than Oak, Cherry, Maple, or Hickory Is desired, Customer will supply needed lumber.

The only sizes that can be accepted are 5/8" x 1-3/4" x 100', 124', or 148"

Prices Are For 8, 10, & 12' Lengths | Order Minimums Do Apply

SPECIAL DEPTH WOOD TOPS

~For large quantities in special sizes - Call for pricing

SPECIAL DEPTH &/OR SPLASH HEIGHT (5-5/8" HIGH MAX.) (REF 130'S)

~WOOD FRONT AND WOOD BACK SPLASH

~Overall top depth plus splash height~ (per linear foot)

Equal to or less than 28-1/2".....(8', 10' or 12' ONLY).....color upcharge use Kit. / Van. group.....	\$43.34
28 -1/2" up to 37".....(8', 10' or 12' ONLY).....color upcharge use Island group (27-1/4" - 45").....	\$51.28
Greater than 37-1/8" up to 51" (8', 10' or 12' ONLY).....	\$57.62

SPECIAL DEPTH &/OR SPLASH HEIGHT (5-5/8" HIGH MAX.) (REF 140'S)

~WOOD FRONT AND ROLLED BACK SPLASH

~Overall top depth plus splash height~ (8', 10' or 12' ONLY)

Equal to or less than 28-1/2".....color upcharge use Kit. / Van. group.....	\$37.18
28 -1/2" up to 37"color upcharge use Island group (27-1/4" - 45")	\$45.12
Greater than 37-1/8" up to 51"color upcharge use island group (over45").....	\$51.46

UPCHARGES	KIT. / VAN.	ISLANDS	ISLANDS
	(up to 27-1/8" Islands)	(27-1/4" to 45")	(over 45")
Group 1..... ADD	\$1.60	\$2.88	\$3.20
Group 2..... ADD	\$3.40	\$6.12	\$6.80
Group 3..... ADD	\$4.42	\$7.96	\$8.84
Group 4..... ADD	\$10.30	\$18.54	\$20.60
Oak.....Add	\$0.00		
Hickory.....Add	\$0.00		
Maple.....Add	\$1.00		
Cherry.....Add	\$2.00		

Add Laminate band to wood edge (front edge and/or back splash).....add per edge \$2.78

WOOD ENDS FOR WOOD EDGED TOPS

(each)

Wood End on Flat Tops	\$59.64
Single Angle Cut w/ Wood Edge..... (does not include end)	\$78.02
End With One Angled or Radiused Corner..... (* * 1" or * 3" Radius)	\$105.98
(Over * 3" Radius)	\$138.04
End With Two Angles or Radiused Corners..... (* * 1" or * 3" Radius)	\$158.97
(Over * 3" Radius)	\$207.06

Radius End* \$280.78

Banjo, with SQUARE Corners..... Does NOT Include End \$206.28

* If kitchen or vanity, backsplash must be screwed on.

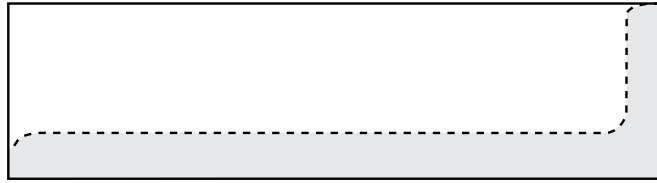
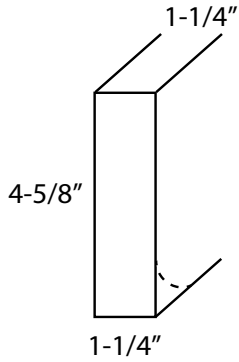
**NOT Available With Laminate Band

NOTE: If other than Oak, Cherry, Maple, or Hickory Is desired, Customer will supply needed lumber.

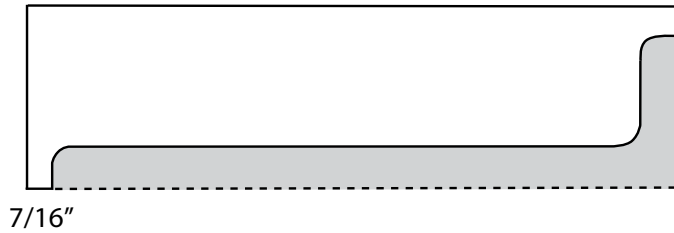
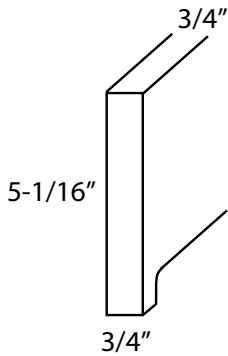
The only sizes that can be accepted are 5/8" x 1-3/4" x 100', 124', or 148"

SPLASHES

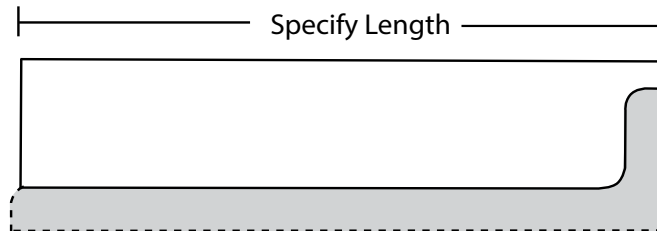
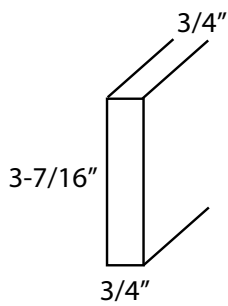
Square Edge End Splash, finished or with loose edging strips	\$28.10
Square edge end splash, with Radiused front bottom corner, Made for D & 180 profile.....	\$44.12
Island end splash (finished both ends).....	\$39.34
Standard Contoured to set on top of top.....	\$35.92
Special Depth Contoured to set on top of top..... (Call for Multi Unit pricing)	\$60.30
Poly Applied to Counter Tops	(Per lineal foot)
	\$1.70
Seam fill (per tube)	\$11.48
Seam fill Solvent (1/2 pint can).....	\$21.00
Seam fill Solvent (Quart can)	\$62.59
3/4" Particle Board (stock sizes only).....	Priced per square foot
	\$2.42
1-1/8" Particle Board (60 x 96 & 30 x 144).....	Priced per square foot.....
	\$3.14
Counter tops fabricated with	
Sky Blend - particle brd	
Ultra Low Emitting Formaldehyde (ULEF)	
Moisture Resistant (MR10).....	(Per Square Foot)
	\$2.80
Counter tops fabricated with;	
Med Ex - MDF	
Moisture Resistant (MR50) (ULEF).....	(Per Square Foot)
	\$4.68
Counter tops fabricated with;	
Plywood.....	(Per Square Foot)
	\$5.78
Padding Strips (loose) 3/4"x 2-9/16" x 8' , 10' or 12'	(Per lineal foot)
	\$0.76
MR / ULEF Padding Strips (loose) 3/4"x 2-9/16" x 8' , 10' or 12'.....	(Per lineal foot).....
	\$0.98
Build Down Sticks 3/4" x 1"	(Per lineal foot)
	\$0.38
Build Down Sticks w/Backer 3/4" x 1"	(Per lineal foot).....
	\$0.58
Scribe Sticks 1/2" x 3/4"	(Per lineal foot).....
	\$0.72
Miter Bolts Priced per piece.....	\$0.63
Credit Allowed For Customer Furnished Laminate	
Kitchens, Vanities & 27" Islands.....	(Per lineal foot) net cost, do not use multiplier
	\$2.30
Wide Islands, Per lineal foot.....	\$2.78
Cartoning Charges (does not include shipping charges)	
Laminate	
36" or 48" wide, per carton	\$27.68
60" wide, per carton.....	\$34.40



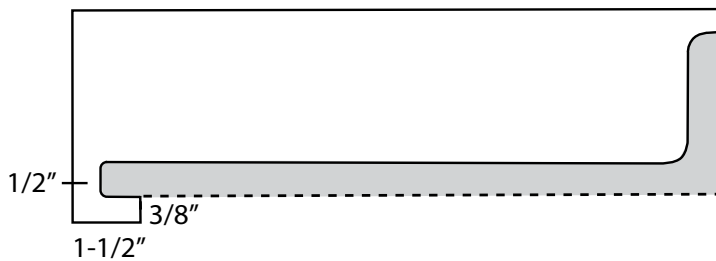
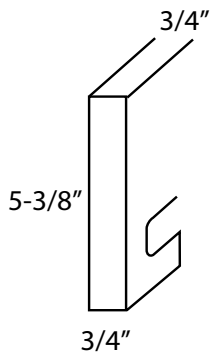
Standard Square Side Splash for All Edge
Note: Screw on splash comes loose and will add 1-1/4" to overall length of top.



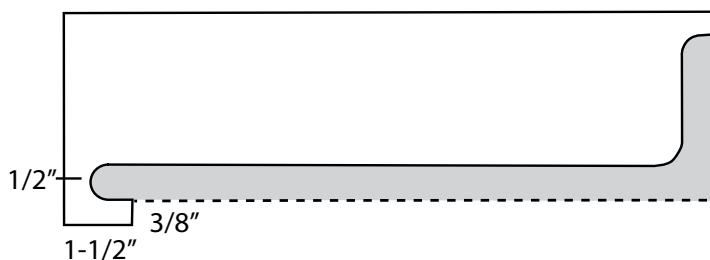
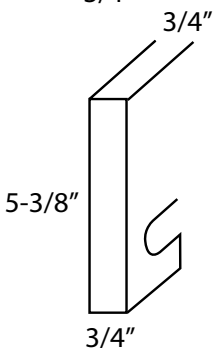
7/16"
Set On Contoured Front & Back for Standard (tri-cove) Side Splash
Standard Sizes: 25-1/2" w/3" B.S.
25-1/4" w/3-3/4" B.S.
25" w/4" B.S.
22-1/2" w/3" B.S.



7/16"
Set On Contoured Back Only Side Splash



7/16"
Set On Contoured Front & Back for "D" Edge Side Splash
Standard Sizes: 25-1/4" w/3" B.S.
22-1/2" w/3" B.S.



7/16"
Set On Contoured Front & Back for 180° Edge Side Splash
Standard Sizes: 25-1/4" w/3" B.S.
22-1/2" w/3" B.S.

MANUFACTURER'S WARRANTY

Wood is a natural material, sensitive to environmental humidity. It will move considerably in response to extremes in surrounding conditions. Just as no two trees are alike, no two pieces of wood used in the fabrication of our tops reacts exactly as another. As with any natural wood product, our butcher block tops can expand and contract in response to the particular environment in which they are located. It is important that a stable humidity of 35% to 45% is maintained in order to insure continuous stability.

Wood also has naturally occurring variations of color. This is not considered a manufacturing defect but instead is viewed as part of the unique beauty of this natural product.

It should be noted that it is the responsibility of the receiver to closely inspect all product before accepting any shipment. Additionally, it is the responsibility of the installer to inspect the product prior to installation. Any manufacturer's defects should be immediately brought to Counter-Form's attention. Failure to do so could affect the outcome of any claim. Counter-Form cannot be held responsible for errors in installation or alteration.

Counter-Form's Butcher Block product is warranted for a period of 1 year against manufacturer's defects. The product is not warranted if modified in any way. The warranty is also void if at the request of the purchaser, we ship an unfinished block. Since Counter-Form has no control over the environment, timing of the installation or the conditions in which the block is stored, we cannot be responsible for a natural reaction of the unfinished wood to its surroundings.

Warranty covers materials only. **Labor costs will not be covered.**

Sink or cook top cutouts must be completed by Counter-Form in order to maintain warranty.

A sink cutout is usually associated with increased moisture; therefore, regardless of whether the sink is drop-in or under mounted, the edge grain of the sink cutout must be carefully sealed. The sink's edges must be caulked properly, in order to prevent water infiltration between the sink and the wood surface.

Counter-Form reserves the right to qualify any claim on our products and does not include or consider labor or other non-material charges as part of the claim.

IMPORTANT MITER NOTES & SUGGESTED ASSEMBLY

- All miters will have splines and miter bolts unless otherwise specified
- All miters will be treated with the same oil as applied to the top surface. Polyurethane-base varnish can be used if requested.
- Miters can be assembled 3 recommended ways:
 1. Silicone – gives you a flexible joint
 2. White glue – gives you a ridged joint
 3. Nothing – joint can be corrected if wood shifts

CARE & MAINTENANCE

1. To kill bacteria, often left behind by raw meat, with bleach. Add one tablespoon of bleach into one gallon of warm water.
2. Remove tough stains from butcher block by pouring lemon juice on the surface and letting it soak for several seconds.
3. Maintain oiled butcher block with non-toxic oil treatments on a weekly basis or whenever you notice the wood drying or color fading. Coat the butcher block with oil, let sit for five minutes then wipe away the remainder with a paper towel or cotton cloth. Wait 12 hours before using the butcher block.
4. Clean oiled butcher block on which food is not usually prepared, with water and gentle soap. Wipe dry with a soft towel. Butcher block finished with a polyurethane-base does not need oil treatments.
5. Avoid harsh detergents, chemicals, direct sunlight, and puddles of standing water. Sand out light scratches, dents and dings with high grit sandpaper. Recondition or oil when wood gets dull or shows signs of cracking or aging.

SPECIAL TIPS

1. If a dishwasher is installed underneath a butcher block countertop, a moisture barrier must be applied to the bottom side of the top, in order to give additional protection against heat and moisture.
2. Ideally, butcher block should be stored flat against the ground. Do not store the butcher block outdoors, in an excessively dry or moist environment, or near a heat source.
3. Conditions that will cause problems:
 - A) Humidity in the room is below 35% (too dry).
 - B) Area is heated with a wood burner.
 - C) Butcher block is installed near a heat source.
 - D) Constant exposure to direct sunlight.



**Lead times could be extended,
please allow at least 3-4 weeks for delivery.**

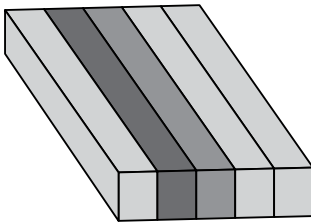
Please note: 22 Sq Ft or More
Add \$200.00 Handling Charge Weight Related

UNIBLOCK

(most common)

Available in all species

Maximum Length 144"



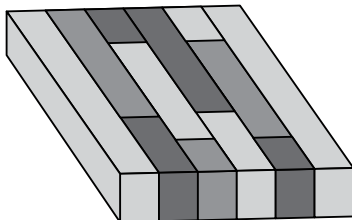
May be used for cutting

ECOBLOCK

Available in Rustic Maple
and Walnut only

Minimum Length 36"

Maximum Length 144"



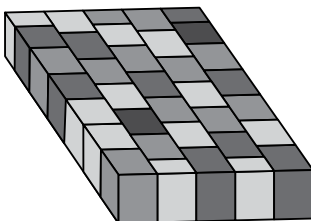
May be used for cutting

GOURMET

Available in all species

Maximum Width 40"

Maximum Length 96"



Best recommended for cutting

WIDTH UP TO 42" OR LENGTH UP TO 120"

Species	1-1/2" THICK	2" THICK	3 THICK
Maple (Uniblock)	\$79.60	\$92.30	\$141.86
Maple (Ecoblock) <small>Rustic Maple Only</small>	\$79.60	N/A	N/A
Maple (Gourmet)	\$84.82	\$98.60	\$152.24
Walnut (Uniblock)	\$157.82	\$186.18	\$296.74
Walnut (Ecoblock)	\$157.82	N/A	N/A
Walnut (Gourmet)	\$218.55	\$259.04	\$416.96
Red Oak (Uniblock)	\$71.75	\$82.90	\$126.32
Red Oak (Gourmet)	\$92.28	\$107.50	\$166.94
White Oak (Uniblock)	\$91.46	\$106.54	\$165.34
White Oak (Gourmet)	\$136.76	\$160.90	\$255.06
Cherry (Uniblock)	\$85.47	\$99.36	\$153.48
Cherry (Gourmet)	\$127.16	\$149.40	\$236.04
Hickory (Uniblock)	\$82.48	\$95.76	\$147.58
Hickory (Gourmet)	\$123.40	\$144.88	\$228.60
Knotty Alder (Uniblock)	\$63.72	\$73.22	\$110.40
Knotty Alder (Gourmet)	\$93.02	\$108.42	\$168.46
Yellow Birch (Uniblock)	\$69.09	\$79.70	\$121.04
Yellow Birch (Gourmet)	\$88.64	\$103.14	\$159.76

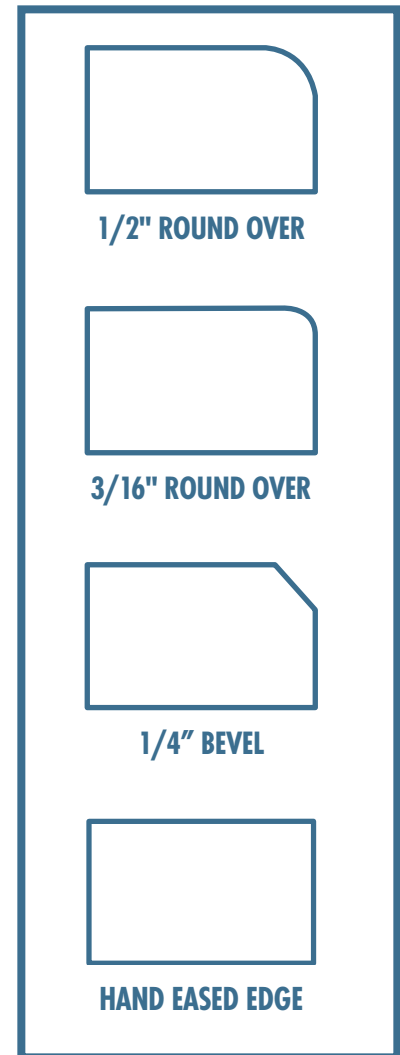
*Lead times could be extended,
please allow at least 3-4 weeks for delivery.*

Please note: 22 Sq Ft or More
Add \$200.00 Handling Charge Weight Related

WIDTH OVER 42" OR LENGTH OVER 120"

Species	\$/sqft 1-1/2" THICK	\$/sqft 2" THICK	\$/sqft 3 THICK
Maple (Uniblock)	\$93.50	\$109.00	\$169.44
Maple (Ecoblock) <small>Rustic Maple Only</small>	\$93.50	N/A	N/A
Maple (Gourmet)	\$130.66	\$153.56	\$242.96
Walnut (Uniblock)	\$209.12	\$247.72	\$398.30
Walnut (Ecoblock)	\$209.12	N/A	N/A
Walnut (Gourmet)	\$242.18	\$287.40	\$463.78
Red Oak (Uniblock)	\$99.86	\$116.60	\$181.94
Red Oak (Gourmet)	\$114.56	\$134.24	\$211.06
White Oak (Uniblock)	\$130.72	\$153.64	\$243.08
White Oak (Gourmet)	\$150.84	\$177.80	\$282.94
Cherry (Uniblock)	\$122.71	\$144.04	\$227.24
Cherry (Gourmet)	\$138.27	\$162.70	\$258.02
Hickory (Uniblock)	\$118.74	\$139.24	\$219.40
Hickory (Gourmet)	\$134.12	\$157.72	\$249.82
Knotty Alder (Uniblock)	\$88.22	\$102.62	\$158.90
Knotty Alder (Gourmet)	\$100.30	\$117.16	\$182.88
Yellow Birch (Uniblock)	\$95.86	\$111.80	\$174.06
Yellow Birch (Gourmet)	\$109.86	\$128.62	\$201.78

EDGE PROFILE OPTIONS





ADDITIONAL BUTCHER BLOCK OPTIONS

BACKSPLASH (actual size 1"x4")..... (1 piece board, no glue joints)	\$2.00
BUTCHER BLOCK OIL	
PINT-16oz.....	\$28.80
Oil Finish (Standard finish - No Charge) Maintenance Required	
PreFinish Clear (Allow Additional Lead Time) Maintenance Free - ADD \$40 per square foot to price	
No Finish (Voids Warranty)	

FRONT EDGE PROFILES

Per Lin. Inch (if island x2)

Hand Eased Edge	Standard No Charge
3/16" Round Over	
Top Only	\$0.22
Top & Bottom.....	\$0.44
1/2" Round Over	
Top Only	\$0.38
Top & Bottom.....	\$0.76
1/4" Bevel	
Top Only	\$0.38
Top & Bottom.....	\$0.76

FINISHED ENDS

Includes All profiles per end	\$37.00
-------------------------------------	---------

Radius Corners or Clipped Corners (Example: 3" = 3"x3")	
1"- 4".....\$29.00	Over 4".....\$50.00

Round One End	
0"- 25" \$106.00	26"- 42"\$178.00

Upcharge for Round Tables Tops	
0"- 25" \$212.00	26"- 42"\$356.00

Cuts	(per cut)	\$40.00
Miters.....	(complete miter w/ bolts).....	\$288.00
Banjo Cuts	(includes edge profile)	\$302.00
Drop in the Sink Cutout.....	(cut per template)	\$198.00
Undermount/Apron Sink Cutout	(cut per template and finished)	\$492.00

BUTCHER BLOCK ORDER FORM

Company Name: _____

PO #: _____

SINGLE WOOD SPECIES - SELECT ONE

- Alder
- American Cherry
- Hickory
- Natural Maple
- Red Oak
- Rustic Maple
- Walnut
- White Oak
- Yellow Birch

CONSTRUCTION STYLE - SELECT ONE

- Uniblock 1-1/2" Thickness
- Uniblock 2" Thickness
- Uniblock 3" Thickness
- Ecoblock 1-1/2" Thickness
(only available in Rustic Maple and Walnut)
- Gourmet 1-1/2" Thickness
- Gourmet 2" Thickness
- Gourmet 3" Thickness

EDGE PROFILE - SELECT ONE

- Hand Eased - N/C - All Edges Unless Noted
- 3/16" Roundover - Top Only
- 3/16" Roundover - Top & Bottom
- 1/2" Roundover - Top Only
- 1/2" Roundover - Top & Bottom
- 1/4" Bevel - Top Only
- 1/4" Bevel - Top & Bottom

FINISH - SELECT ONE

- Oil - N/C - Both Cutting And Non Cutting Surface
(Maintenance Required)
- PreFinish Clear - ADD \$40 / sqft to price
- Allow additional lead time (Maintenance Free)
- No Finish - Voids Warranty

CARE & MAINTENANCE

- Pint - (16oz) Refurbishing Oil

Option Codes - Indicate All That Apply On Your Sketch

D = Depth
CC = Clipped Corners
BS = Backsplash

X = No Work Needed (For Edges That Butt Up To Walls)
L = Length
RD = Radius Corners
F = Finished Edges

Special Instructions:

Use This Space For A Sketch Of Your Requirements - Use The CODES Above.

Length

Depth

Depth _____

Length _____

