



In 1976 Counter-Form LLC. began operations, focusing on a single goal: To make the highest quality postform countertop in the industry at an affordable price, while providing its customers with the best in service. Today, although techniques and product lines have changed, our goal remains the same. Counter-Form offers unsurpassed experience, from our office staff to our fabricators. We offer quick lead times and the best in customer service. Discover why Counter-Form is an industry leader.

Counter-Form crafts a complete line of custom, cut-to-size countertops with all the colors and patterns available from Wilsonart®, Arborite®, Formica®, Pionite®, and Nevamar®. We stock over 230 of their best-sellers and offer many different edge profiles. Counter-Form can fabricate an almost infinite array of creative possibilities.

On the surface, laminate countertops all look pretty much the same. It's what's underneath that separates Counter-Form from the rest! Constructed from the highest quality 45lb. western pine industrial board, all of our countertops feature a 1/2" solid pine scribe for easier installation. Another unique feature is the vapor barrier strips we apply to the front and side edge to protect against moisture and chipping. With Counter-Form quality countertops, what you don't see makes all the difference!



## INDEX

APPLIED EDGE .....	42
BUTCHER BLOCK .....	80
CARE & MAINTENANCE / 3-4-5 RULE .....	3
CHECK LIST.....	6
COLOR LIST.....	11
"D " EDGE / 180° EDGE .....	24
EDGE PROFILES.....	19
LAMINATE SHEETS / ROUND TABLE TOPS.....	72
MANUFACTURER'S WARRANTY .....	2
MISCELLANEOUS .....	73
MONARCH EDGE.....	33
MULTI-FAMILY PRICING.....	55
NO DRIP EDGE .....	38
ORDER SHEET .....	7
PREMIER EDGE.....	31
PRE-ORDER GUIDELINES.....	10
REFERENCE DIAGRAMS.....	60
REGENT EDGE.....	32
ROLLED EDGE (TRIPLE COVE).....	20
ROMAN EDGE.....	30
SAMPLE BOARDS.....	12
SELF EDGE (SQ) W/LAMINATE OR PVC .....	46
SIDE SPLASH DIAGRAMS .....	69
SINK TEMPLATES .....	71
SINKS (UNDERMOUNT) .....	74
SPECIAL CUTS.....	58
TERMS & CONDITIONS.....	4
UPCHARGES/LAMINATE FINISH CODES .....	10
UPCHARGES PER LINEAL FOOT.....	14
WAIVER / RELEASE FORMS.....	77
WALL BRACKETS .....	70
WEBSITE.....	9
WOOD EDGE.....	50



## MANUFACTURER'S WARRANTY

Any of our products found to have a manufacturing defect within one year from purchase will be handled in the following manner:

1. We will ship, to our dealers "point of delivery", all materials supplied by us.
2. In as much as Counter-Form LLC has no control over installation or fabrication on the job, **no warranty is expressed or implied in reference to installation, plumbing or labor of any manner.**
3. At our option, before shipping materials, we may request to inspect the job.
4. All materials coming off the job become property of Counter-Form LLC.
5. Credit will be issued when countertops are returned to Counter-Form LLC and we have determined that it is a manufacturing defect.

### IMPORTANT: BEFORE INSTALLING TOPS

- **Water damage voids the warranty! Installer/plumber must seal all raw exposed particle board.**
- **WARRANTY covers replacement of tops ONLY. No labor costs.**
- CHECK CONDITION OF TOPS BEFORE INSTALLING. If your tops came with poly on them, take the poly off and inspect tops before assembling.
- DRY FIT COUNTERTOPS and if there are any issues, DO NOT GLUE and ASSEMBLE.
- TOPS SHOULD BE SET ON LEVEL CABINETS AND ALLOWED TO ACCLIMATE. If tops were subject to high humidity, they may need more time to acclimate to the surrounding.
- MAKE SURE MITER JOINTS ARE CLEAN. Using a paint brush, COMPLETELY coat each raw edge of miter joint with waterproof glue.
- Quickly align tops and tighten miter bolts. Open times vary depending on glue manufacture. Splined Miters help with alignment but all miters have to be adjusted. While tightening each miter bolt, a small block of wood can be used to "TAP" on the deck of the countertop so laminate does not get damaged. Working from front to back, line up tops so laminate is flush, then tighten bolt, repeating for each bolt.
- Clean off excess glue with a damp cloth.
- Warranty is void if joints are not properly assembled.
- Color matched seamfill is available for final touch-up.
- TOPS ABOVE DISHWASHERS SHOULD BE SEALED. The area above the dishwasher is exposed to moisture. Vents on top of door can cause damage quickly.
- STOVES and COOKTOPS MUST BE SET AT A HEIGHT ABOVE THE COUNTERTOP. This will prevent end caps from high heat which could cause delamination.
- ALL FAUCET HOLES CUT NEED TO BE SEALED. Use a good silicone to seal all raw particle board exposed to prevent water damage.
- DO NOT EXPOSE MITER SEAMS TO STANDING WATER OR SET COFFEE POTS OVER SEAM. WATER DAMAGE IS PERMANENT AND IS NOT A WARRANTY ISSUE.

## CARE & MAINTENANCE

1. Do not expose miter seams to standing water or set coffee pots over seam. Water damage is permanent and is not a warranty issue.
2. STOVES and COOK TOPS must be set at a height ABOVE the top of your counter top. This will prevent end caps from excessive heat that could cause them to release.  
Tops above dishwashers should have area above dishwasher sealed to prevent moisture damage. Vents on top of door can cause damage quickly.
3. FAUCET HOLES - All holes drilled through the top MUST be sealed with silicone. All raw particle board must be sealed to prevent water damage.
4. Use a damp cloth or sponge with a mild NON ABRASIVE detergent for cleaning. Then rinse thoroughly and wipe dry with a clean soft cloth.
5. For tougher stains, a SOFT BRISTLED brush may be used. Abrasive cleaners WILL cause premature wear.
6. ALWAYS use a cutting board when slicing to avoid cuts & scratches. Any sharp object can scratch the surface.
7. ALWAYS use hot pads to protect the surface from hot pans, as enough heat will damage the surface.
8. NEVER SLIDE “stoneware” across the surface, as it is very abrasive, and will cause scratches and premature wear.
9. Polishes such as “Hopes Counter Top Polish” can help by reducing friction.
10. Certain household chemicals WILL DAMAGE the surface, including:

**Toilet Bowl Cleaners**  
**Drain Cleaners**

**White Vinegar**  
**Hydrogen Peroxide**

**Oven Cleaners**  
**Stain & Rust Removers**

**Bleach**  
**Anti-Bacterial Formulas**

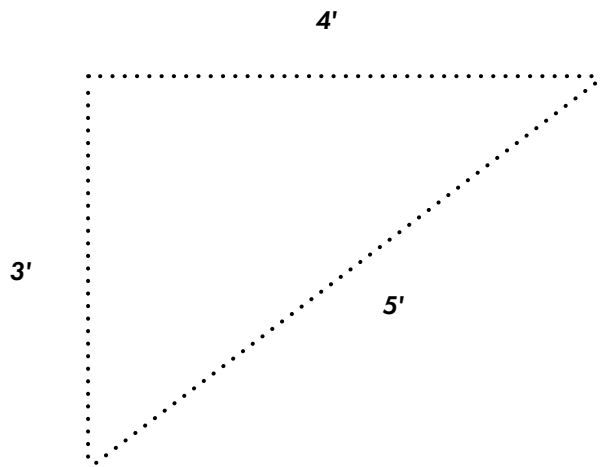
If any of these items come in contact with the surface, IMMEDIATELY clean that area very thoroughly and wipe dry with a clean soft cloth. Following these guidelines, your countertop should remain looking new for many years.

### Special Tip

Always rinse laminate after cleaning! Failure to rinse after cleaning is the single greatest cause of damage to a laminate surface. If even a small amount of cleaning solution remains on the surface, moisture from cups or dishes can reactivate it and result in permanently-etched scars. Always rinse thoroughly with clean water and dry with a soft, clean cloth.

## 3-4-5 RULE

Use this rule to check for square (90°) corner.  
Corner is square if 3-4-5 rule works.





Counter-Form, LLC makes every effort to ensure you receive your materials as ordered. We are committed to providing excellence in craftsmanship and service. Please read and review the following terms and conditions of your purchase:

### **MEASUREMENTS:**

The buyer is responsible for the accuracy of all measurements supplied to Counter-Form. Counter-Form accepts no responsibility or liability for measurement errors. The customer is responsible for the final design approval.

### **DELIVERY LEAD TIMES:**

All delivery times are estimates. Custom edge, undermount sinks and non-stock colors may have extended lead times.

### **JOB SITE DELIVERIES (COMMERCIAL & MULTI UNIT)**

The majority of our shipments are handled in-house by Counter-Form. We employ a fleet of delivery vehicles and drivers to ensure damage-free, on-time deliveries. There is a fee of \$110 per job site delivery. Assistance is required for unloading of product at job site deliveries, a date and time will be scheduled. If no person is available, additional fees could be assessed. Job sites must be accessible for large truck delivery.

### **INSPECTIONS**

Upon receipt of delivery, materials should be inspected for damage. Claims need to be notated on delivery receipt or reported to the Counter-Form Customer Service Department immediately. If a return is required, contact the Counter-Form Customer Service Department to arrange for return authorization.

### **RETURNS**

To be eligible for a return or exchange, begin by contacting your customer service representative. The product must be in its original condition and damage-free, all returns will be inspected and an estimate on rework will be provided (see Rework below). Custom ordered products, and Special Orders may not be returned. There is a \$50 minimum for pick-up/delivery with a Counter-Form truck when not on a scheduled route. Shipping and delivery charges are non-refundable. Return authorization is required for all product drop-offs at the Counter-Form facility.

### **CHANGE ORDERS**

Contact your Counter-Form customer service representative for all order changes. Orders prior to entering production can be changed at no charge. For orders that are in production (shop floor), changes may be limited and will have a \$25 fee applied.

## REWORK

Rework orders should be coordinated with our Counter-Form customer service team. Charges for rework will apply, consult this price book for costs associated, a \$25 shop handling fee will be applied to each order. Special miter recuts have a \$50 minimum charge and other shop time duties will be assessed at \$75 per hour, please note that in some cases, it may be more cost effective to simply reorder. Pick-up and delivery fees apply.

## NON WARRANTY WAIVERS

Additional waiver releases are required for specialty application work. Applications that include Farm sink cutouts, capped cutouts and undermount sinks in diagonal sink cabinets do not qualify for the Manufacturer Warranty coverage. A signed waiver will be required before this work can be completed. Please allow an additional 1-2 week lead time. Waiver forms are available on pages 77-78 or by contacting your Counter-Form customer service representative.

## NON STOCK LAMINATE

Additional lead-times may be incurred depending on supplier availability. Estimated delivery dates are supplied with the order acknowledgment. Laminates not stocked at Counter-Form may need to be purchased in full sheets, a line item charge for balance of sheet will be noted on the quote/acknowledgment.





Accuracy of quote is dependent on information provided - please complete form in its entirety

Customer Name: \_\_\_\_\_ Email \_\_\_\_\_

Customer Store Location: \_\_\_\_\_

Job Name: \_\_\_\_\_ Was this job quoted? - Quote #: \_\_\_\_\_

PO #: \_\_\_\_\_ Color Number & Finish: \_\_\_\_\_

### FRONT PROFILE

- Rolled
- D Edge
- 180 Edge
- No-Drip
- Regent
- Premier
- Roman
- Monarch
- Self Edge

Applied Edge (Select One)

- Bevel
- Crescent
- Other \_\_\_\_\_

### BACK SPLASH PROFILE

- Rolled
- Square (w/ scribe or w/o scribe)
- Applied Edge (if applicable)
- Integral (covered to the top)
- Loose

### DECK DEPTH/SPLASH HEIGHT

- 25-1/2" Kitchen w/3" Splash\*
- 25-1/4" Kitchen w/3" Splash\*\*
- 22-1/2" Vanity w/3" Splash

### OPTIONS

- Padding Applied
- Padding loose
- None
- Backer
- MR Core
- NAUF Core
- ULEF Core

### END TREATMENTS

- Straight Caps
- Eased (as indicated)
- Other (as indicated)
- Contoured (set on) Splash
- Square Edge End Splash

### SINKS

- CF Sink Template #: \_\_\_\_\_
- Sink Cutouts by CF  
Cutout Size \_\_\_\_\_" x \_\_\_\_\_"
- Undermount Sink  
Model \_\_\_\_\_ Color \_\_\_\_\_

Miters will be splined unless noted otherwise.

### OTHER

- \_\_\_\_\_" Deep Top w/ \_\_\_\_\_" High Splash

If no back splash or sent loose

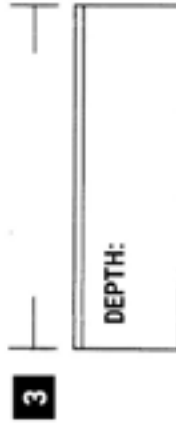
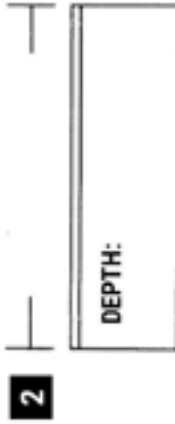
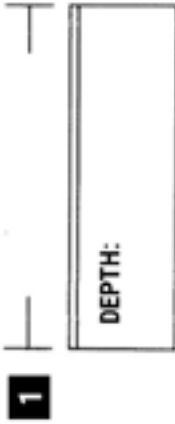
- \_\_\_\_\_" Deep Top

\* Profile standard depths: Standard, Roman, Regent, Premier, No Drip, Square Edge and All Applied Edge Profiles

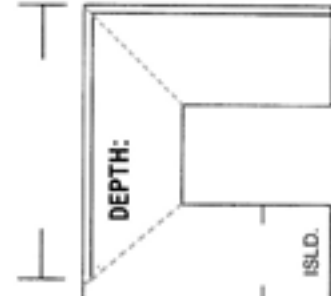
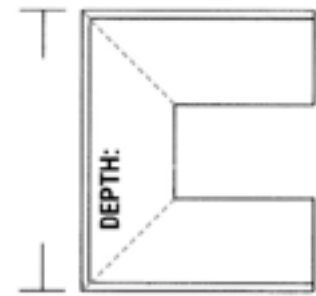
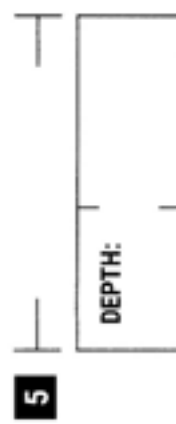
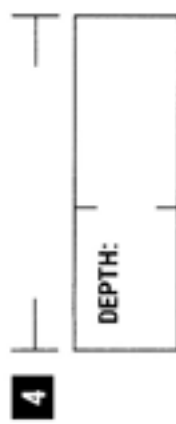
\*\* Profile standard depths: D Edge, 180 Edge and Monarch

<b>COUNTER-FORM LLC</b>		<b>PHONE</b> 715.384.2131	<b>FAX</b> 715.387.3941	<b>EMAIL</b> orders@counter-form.com	<b>OPTIONS Y/N</b>	<b>CODES</b>
<b>NAME:</b>		<b>DATE OF ORDER:</b>		C = CAP E = EASE R = RAW RD = RADIUS IN INCHES S = SIDE SPLASH CS = CONTOURED SIDE SPLASH CC = CLIPPED CORNER IN IN. x IN.		
<b>P.O. #</b>	<b>JOB NAME/NO.</b>	<b>PROFILE</b>	<b>COLOR NO.</b>	<b>DELIVERY DATE REQUESTED</b>	Padding	
					Poly	
					Spline Miter	
					Phenolic Backer	
					Backsplash Height	

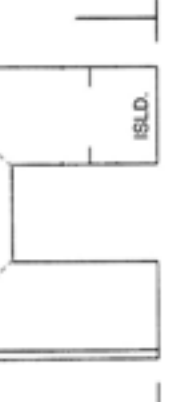
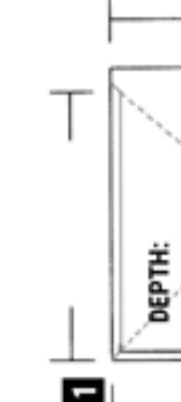
**KITCHEN TOPS**



**ISLANDS**



**VANITY TOPS**



**SINK CUTOUT:** \_\_\_\_\_

**NOTES:** \_\_\_\_\_

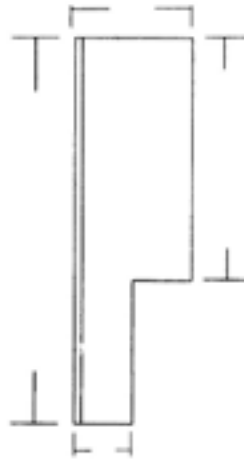
<b>COUNTER-FORM LLC</b>		<b>PHONE</b> 715.384.2131	<b>FAX</b> 715.387.3941	<b>EMAIL</b> orders@counter-form.com	<b>OPTIONS Y/N</b>	<b>CODES</b>
<b>NAME:</b>		<b>DATE OF ORDER:</b>		C = CAP E = EASE R = RAW RD = RADIUS IN INCHES S = SIDE SPLASH CS = CONTOURED SIDE SPLASH CC = CLIPPED CORNER IN IN. x IN.		
<b>P.O. #</b>	<b>JOB NAME/NO.</b>	<b>PROFILE</b>	<b>COLOR NO.</b>	<b>DELIVERY DATE REQUESTED</b>	Padding Poly Spline Miter Phenolic Backer Backsplash Height	

**16**



(REF. 130) BANJO TOPS

**17**

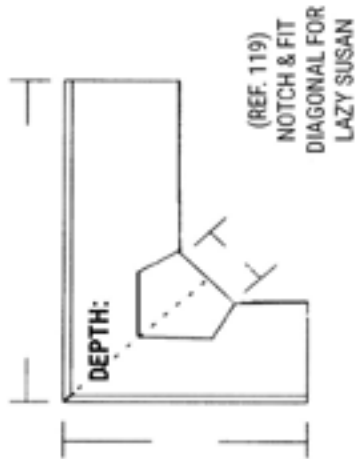


**18**



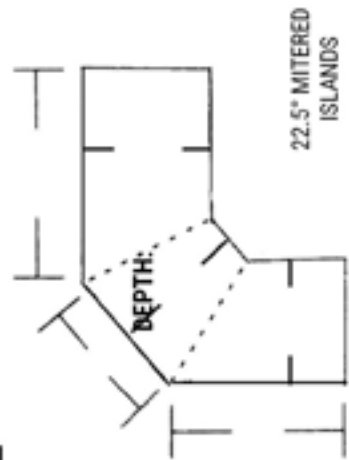
(REF. 118)  
LAZY SUSAN  
CORNER

**21**



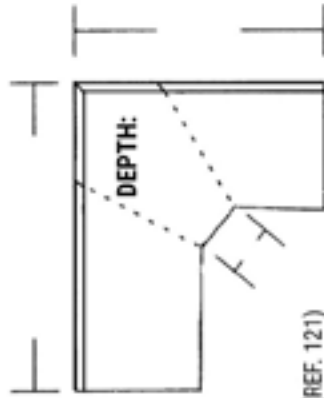
(REF. 119)  
NOTCH & FIT  
DIAGONAL FOR  
LAZY SUSAN

**20**



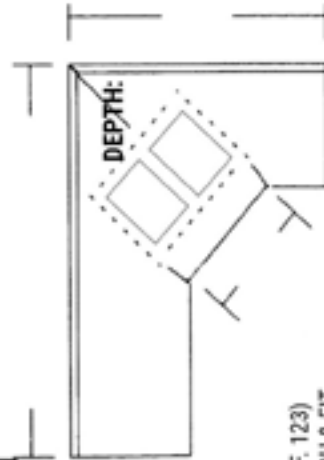
22.5" MITERED  
ISLANDS

**19**



(REF. 121)  
CFC CORNER  
W/SCREWED ON  
BACKSPLASH

**22**



(REF. 123)  
NOTCH & FIT  
CORNER SINK

**SINK CUTOUT:** \_\_\_\_\_

**NOTES:** \_\_\_\_\_



## YOU CAN FIND IT ON THE COUNTER-FORM.COM WEBSITE

We encourage you to check out the Counter-Form Website. We have it all - resources for your customers to help them select the perfect pattern, all the details including specifications and technical content that you require, and information to learn more about our capabilities and services that are available. [Explore the Possibilities at Counter-Form.com.](#)

Would you like to link our product section to your website? Let your customers select their perfect pattern before they visit your store or shop. Contact our Customer Service or your sales representative to learn more!



### A COMPLETE GUIDE TO OUR STOCK PATTERNS

- A COLOR PHOTO GALLERY OF OUR STOCK PATTERNS
- FULL SHEET VIEWS AND APPLICATION PHOTOS
- VISUALIZERS AND DOWNLOADS
- EDGE PROFILE CHOICES & EXAMPLES
- FINISH OPTIONS
- SPECIFICATIONS & REFERENCE TOOLS
- NEW & SPECIAL FEATURED PATTERNS
- DOWNLOADABLE INTERACTIVE PDF FORMS



### BUTCHER BLOCK SPECIES GUIDE

- A COLOR PHOTO GALLERY OF OUR SINGLE SPECIES AND MIXED SPECIES COLLECTIONS
- APPLICATION PHOTOS
- PATTERN OPTIONS
- EDGES & FINISHES
- SPECIALTY OPTIONS
- CARE INSTRUCTIONS
- DOWNLOADABLE INTERACTIVE PDF ORDER FORMS



### KARRAN UNDERMOUNT SINK GUIDE

- A COLOR PHOTO GALLERY OF OUR EDGE, QUARTZ & ACRYLIC SERIES
- LAYOUTS & DIMENSIONS
- ACCESSORY GUIDE
- CARE INSTRUCTIONS

Explore the Possibilities  
at Counter-Form.com



**Special Order - laminate available in limited sizes, excess/balance of laminate pieces may need to be purchased. Allow additional lead times on non-stock colors and special order laminates. When ordering, please reference the laminate NUMBER, not the name.**

## UPCHARGES

### GROUPS

- 0 = No upcharge
- 1 = \$1.60 upcharge
- 2 = \$4.40 upcharge
- 3 = \$6.60 upcharge
- 4 = \$12.84 upcharge

## PIONITE FINISH CODES

- |                   |                      |
|-------------------|----------------------|
| AB = Aged Bark    | MG = Medium Gloss    |
| AS = Aegis Secure | MZ = Metalz          |
| AW = Ashwood      | NS = Natural Stone   |
| BB = Barnboard    | NW = Natural Wood    |
| CR = Crystal      | PV = Polished Velvet |
| EV = Evolution    | SD = Suede           |
| FL = Fineline     | SM = Super Matte     |
| GL = Gloss        | SX = StoneX          |
| GR = Granite      | TL = Timberline      |
| GV = Groovy       | TW = Tactile Weave   |
| HX = Hex          | VE = Velvet          |
| LR = Soft Leather | WE = Wood Essence    |
| LZ = LineZ        |                      |

## FORMICA FINISH CODES

- |                  |                    |
|------------------|--------------------|
| 11 = Satin Touch | BH = Brush         |
| 26 = Oiled Wood  | MC = MicroDot      |
| 34 = Scovato     | ML = Monolith      |
| 42 = Crystal     | NG = Natural Grain |
| 43 = Artisan     | PG = Pure Grain    |
| 46 = Etchings    | PX = Plex          |
| 58 = Matte       | SP = Sculpted      |
| 90 = Gloss       | WR = Woodbrush     |

## PRE-ORDER GUIDELINES

1. Steps taken by Counter-Form for pre orders:
2. Orders are entered into our system with sizes that are provided.
3. Laminate is ordered to accommodate that size top. (Example: Kitchen top size is 90", we order 30"x96" laminate, if the top were to change to 99", we could not use the 96" pc. and would reorder 120" pc. You would be responsible for the 96" pc.)
4. Received laminate is set aside for that order until the customer needs it.
5. When final sizes are received, tops will be put into production.
6. Pre-orders will be accepted one month in advance. All pre-orders must have a P.O. number and a contact name. Any pre-orders that change are subject to extra laminate charges and the balance of laminate will be delivered with the tops.
7. If final orders are not received within one month of pre-order, laminate will be delivered and invoiced to the customer.
8. NOTE: If Applied Edge sticks are pre-ordered, the color cannot be changed. Counter-Form does not make the sticks.

## ARBORITE FINISH CODES

- |                     |                    |
|---------------------|--------------------|
| AW = Artisan Walnut | LE = Legno         |
| BC = Breccia        | LM = Luminous      |
| BT = Basalt         | LQ = Laqwood       |
| CA = Cashmere       | MX = Metalux       |
| CW = Casual Wood    | RM = Refined Matte |
| DI = Diamond        | SR = Structured    |
| EV = Evergrain      | UL = Ultra Smooth  |
| FP = French Polish  | VL = Velvatex      |
| GL = Gloss          |                    |

## WILSONART FINISH CODES

- |                     |                           |
|---------------------|---------------------------|
| 01 = Gloss          | 35 = Mirage HD            |
| 05 = Timbergrain    | 38 = Fine Velvet Textured |
| 07 = Textured Gloss | 52 = Quarry               |
| 12 = Soft Grain     | 55 = Glaze HD             |
| 15 = Fieldstone     | 57 = Aligned Oak          |
| 16 = Casual Rustic  | 60 = Matte                |
| 18 = Linearity      | 67 = Aligned Walnut       |
| 19 = Leno Weave     | 78 = FineGrain            |
| 21 = Soft Silk      | 79 = Ridgewood            |
| 22 = Antique        | K = AEON Finish           |
| 28 = Gloss Line     |                           |

## NEVAMAR FINISH CODES

- |                   |                              |
|-------------------|------------------------------|
| AB = Aged Bark    | MG = Medium Gloss            |
| AS = Aegis Secure | MZ = Metalz                  |
| AW = Ashwood      | NS = Natural Stone           |
| BB = Barnboard    | NW = Natural Wood            |
| CR = Crystal      | PV = Polished Velvet         |
| EV = Evolution    | SD = Suede                   |
| FL = Fineline     | SM = Super Matte             |
| GL = Gloss        | SX = StoneX                  |
| GR = Granite      | T = ARP (Armored Protection) |
| GV = Groovy       | TL = Timberline              |
| HX = Hex          | TW = Tactile Weave           |
| LR = Soft Leather | VE = Velvet                  |
| LZ = LineZ        | WE = Wood Essence            |

# COUNTER-FORM STOCK COLOR LIST

Counter-Form recommends ordering the patterns featured below in blue with Poly. It is not automatically applied.

## PIONITE

GROUP	GROUP	GROUP	GROUP	GROUP	GROUP
AE021SD 1	AG361SD 1	AT191SD 1	MG115GR 3	MG190EV 3	MT330SD 1
AG081SM 3	AG381SD 1	AW141SD 1	MG120SX 3	MG200PV 3	MW570GR 3
AG130SM 3	AT161SD 1	ME100SD 1	MG145SD 1	MR125SX 3	MW575SD 1
AG180SD 1	AT181SD 1	MG071SD 1	MG180SD 1	MT250SD 1	PFA51SD 1



## WILSONART

GROUP	GROUP	GROUP	GROUP	GROUP	GROUP	GROUP	GROUP
D354-60 0	1876K-35 4	1886K-07 3	4588-60 0	4886-38 0	4944-38 0	5003-38 0	5031K-07 3
1595-60 0	1876K-52 3	1887K-22 3	4595K-52 3	4888-38 0	4952K-22 3	5004-38 0	5037-38 0
1849K-35 4	1877K-35 4	1888K-22 3	4674-60 0	4904-38 0	4952K-52 3	5005-38 0	5039K-15 3
1850K-35 4	1877K-52 3	1890K-22 3	4724K-52 3	4905-38 0	4954K-22 3	5008K-07 3	5041K-15 3
1858K-55 4	1878K-35 4	1891K-55 4	4725K-52 3	4907-38 0	4955K-22 3	5009-60 0	5042K-07 3
1863K-55 4	1879K-35 4	2932-60 0	4726K-52 3	4922K-52 3	4979K-07 3	5010K-07 3	5043K-15 3
1864K-55 4	1880K-35 4	4142-60 0	4762-60 0	4924-38 0	4981-38 0	5011K-22 3	5044-60 0
1867K-55 4	1881K-35 4	4143-60 0	4835-38 0	4925K-07 3	4987K-07 3	5025K-22 3	5045K-15 3
1871K-35 4	1882K-35 4	4168-60 0	4841-60 0	4926K-07 3	4988K-07 3	5026K-07 3	5062-38 0
1872K-35 4	1883K-35 4	4170-60 0	4842-60 0	4929-38 0	4995-60 0	5027K-07 3	5063K-22 3
1874K-35 4	1884K-35 4	4551K-01 2	4878-38 0	4931-38 0	4998K-22 3	5028K-07 3	5064-60 0
1875K-35 4	1885K-07 3	4588K-07 3	4882-38 0	4932-38 0	5000K-22 3	5029K-22 3	5067K-15 3

## FORMICA

GROUP	GROUP	GROUP	GROUP	GROUP	GROUP	GROUP	GROUP	GROUP	GROUP
271-46 3	3466-11 4	3546-46 4	3702-34 4	6226-58 0	6697-58 0	7494-58 0	9303-43 4	9529-58 0	
909-58 0	3476-46 4	3546-ML 4	3703-11 4	6280-46 3	7022-58 0	7732-46 3	9306-34 3	9534-34 4	
949-58 0	3496-46 3	3547-34 4	3706-ML 3	6280-58 0	7264-58 0	7732-58 0	9306-58 0	9536-34 4	
3420-46 4	3496-58 0	3690-34 3	3712-NG 3	6314-58 0	7267-58 0	7734-46 3	9308-46 3	9537-34 4	
3422-11 4	3517-46 3	3690-58 0	5014-11 4	6319-43 4	7402-11 4	7734-58 0	9309-46 3	9915-11 4	
3450-58 0	3518-46 3	3692-46 3	5018-11 4	6320-46 4	7403-58 4	8830-58 0	9309-58 0	9916-11 4	
3456-58 0	3522-46 3	3692-58 0	5019-34 3	6696-46 3	7404-11 4	8831-58 0	9476-46 3	9921-43 4	
3460-11 4	3522-58 0	3700-11 4	6001-58 0	6696-58 0	7407-58 0	9284-43 4	9476-58 0	9922-ML 3	
3460-46 4	3526-58 0	3701-11 4	6226-46 3	6697-46 3	7408-43 0	9302-34 4	9497-58 0		

## NEVAMAR

GROUP	GROUP	GROUP	GROUP	GROUP	GROUP
GR4001T 1	ME0600SD 1	MT4050EV 3	MW5450VE 3	RK2001T 1	RK7002T 1
LN6002T 1	MG0930EV 3	MW5350VE 3	P07001T 1	RK6003T 1	SL6003T 1

## ARBORITE

GROUP	GROUP	GROUP	GROUP	GROUP	GROUP
P1000VL 3	P1006VL 3	P1010BT 3	P1015UL 3	P1019BT 3	P1023BT 3
P1002VL 3	P1007VL 3	P1011BT 3	P1016UL 3	P1020BT 3	P1024BT 3
P1004VL 3	P1008VL 3	P1013UL 3	P1017VL 3	P1021BT 3	
P1005VL 3	P1009VL 3	P1014UL 3	P1018VL 3	P1022VL 3	

## UPCHARGES

GROUPS

0	=	No upcharge
1	=	\$1.60 upcharge
2	=	\$4.40 upcharge
3	=	\$6.60 upcharge
4	=	\$12.84 upcharge



STOCK SAMPLE BOARD 1

New for 2024

271-46 BLACKSTONE	909-58 BLACK	949-58 WHITE	3420-46 DOLCE VITA	3422-11 CREMA MASCARELLO	3450-58 MINERAL JET	3456-58 MOCHA TRAVERTINE	3460-11 CALACATTA MARBLE	3460-46 CALACATTA MARBLE	3466-11 ANTIQUE MASCARELLO	3476-46 JET SEQUOIA	3496-46 BELMONTE GRANITE
3496-58 BELMONTE GRANITE	3517-46 SAND CRYSTALL	3518-46 FLINT CRYSTALL	3522-46 PERLATO GRANITE	3522-58 PERLATO GRANITE	3526-58 TRAVERTINE	3546-46 RIVER GOLD	3546-ML RIVER GOLD	3547-34 LAPIDUS BROWN	3690-34 BASALT SLATE	3690-58 BASALT SLATE	3692-46 LABRADOR GRANITE
3692-58 LABRADOR GRANITE	3700- 11 WHITE ALABASTER	3701-11 MANHATTAN MARBLE	3702-34 MEDITERRA- NEAN MARBLE	3703-11 WOODLAND MARBLE	3706- ML PATINE CONCRETE	3712-NG WALNUT BUTCHERBLOCK	5014-11 WHITE PAINTED MARBLE	5018-11 CALACATTA CAVA	5019-34 BLACK BARDIGLIO	6001-58 BIANCO ANTICO	6226-46 IVORY KASHMIRE
6226-58 IVORY KASHMIRE	6280-46 MIDNIGHT STONE	6280-58 MIDNIGHT STONE	6314-58 NEO CLOUD	6319-43 CAFÉ AZUL	6320-46 BLACK FUSION	6696-46 CARRARA BIANCO	6696-58 CARRARA BIANCO	6697-46 ARGENTO ROMANO	6697-58 ARGENTO ROMANO	7022-58 NATURAL CANVAS	7264-58 LIME STONE
7267-58 CONCRETE STONE	7402-11 PIETRA GRAFITE	7403- 58 NERO MARQUINA	7404-11 NEAPOLITAN STONE	7407-58 MARMARA GRAY	7408-43 ICE ONYX	7494-58 CARRARA ENVISION	7732-46 BUTTERUM GRANITE	7732-58 BUTTERUM GRANITE	7734-46 JAMOCHA GRANITE	7734-58 JAMOCHA GRANITE	8830-58 ELEMENTAL CONCRETE
8831-58 ELEMENTAL STONE	9284-43 CLASSIC CRYSTAL GRANITE	9302-34 FANTASY MARBLE	9303-43 AZUL ARAN	9306-34 WHITE BARDIGLIO	9306-58 WHITE BARDIGLIO	9308-46 GERIBA GRAY	9309-46 STAR DUNE	9309-58 STAR DUNE	9476-46 WHITE ICE GRANITE	9476-58 WHITE ICE GRANITE	9497-58 SILVER QUARTZITE
9529-58 SEA SALT	9534-34 SEA PEARL	9536-34 QUARTZITE BIANCO	9537-34 STORMY NIGHT GRANITE	9915-11 PROSECCO QUARTZITE	9916-11 FRACTURED MARBLE	9921-43 SAHARA NOIR	9922-ML TAJ MAHAL				
AE021SD GRAPHITE SPEKTRUM	AG081SM SUGAR PIE	AG130SM COOKIES & CREAM	AG180SD METEORIC METALLO	AG361SD GRAPHITE TALC	AG381SD MINERAL TALC	AT161SD ROCKY MOUNTAIN HIGH	AT181SD AGATHA	AT191SD VIOLA	AW141SD ROCK OF AGES	ME100SD FADED MEMORIES	MG071SD BERNARD
MG115GR MOON DUST	MG120SX HAROLD	MG145SD SLATE IMPERIALE MARBLE	MG180SD GALACTIC DUST	MG190EV RICE LAKE	MG200PV CRESCENT PORTICO	MR125SX THEODORE	MT250SD MAN ON THE MOON	MT330SD CITY OF LIGHTS	MW570GR POLAR CAP	MW575SD CHALK IMPERIALE MARBLE	PF51SD GRIDLOCK IN L.A.
GR4001 T MADURA GOLD GRANITE	LN6002 T KOPI SUSU	ME0600SD ESTASI	MG0930EV GRIGIO IMPERIALE MARBLE	MT4050EV TAUPE IMPERIALE MARBLE	MW5350VE RINNOVATO MARBLE	MW5450VE SPERANZA	P07001 T PARIS WHITE POTTERWARE	RK2001 T CLASSIC ROCK	RK6003 T VERDICTS IN	RK7002 T VETO PROOF	SL6003 T RARE EARTH SLATE

## STOCK SAMPLE BOARD 2

New for 2024

D354-60 DESIGNER WHITE	1595-60 BLACK	1849K-35 LUNA FROST	1850K-35 LUNA WINTER	1858K-55 SILVER TRAVERTINE	1863K-55 BAINBROOK GREY	1864K-55 SALENTINA NERO	1867K-55 PERLA PIAZZA	1871K-35 GOLDEN ROMANO	1872K-35 BIANCO ROMANO	1874K-35 WINTER CARNIVAL	1875K-35 SUMMER CARNIVAL
1876K-35 SPRING CARNIVAL	1876K-52 SPRING CARNIVAL	1877K-35 AUTUMN CARNIVAL	1877K-52 AUTUMN CARNIVAL	1878K-35 GRANITO AMARELO	1879K-35 TRINIDAD LAPIDUS	1880K-35 MAGNATA	1881K-35 CIPOLLINO BIANCO	1882K-35 CIPOLLINO GRIGIO	1883K-35 FRANCESCA	1884K-35 CIPOLLINO CON PANNA	1885K-07 MARMO BIANCO
1886K-07 COTE D'AZUR	1887K-22 BENJAMIN GREY	1888K-22 HEBRON WHITE	1890K-22 SERRANIA	1891K-55 LARIO	2932-60 ALMOND LEATHER	4142-60 GREY GLACE	4143-60 NEUTRAL GLACE	4168-60 GREY PAMPAS	4170-60 BEIGE PAMPAS	4551K-01 BLACKSTAR GRANITE	4588K-07 KALAHARI TOPAZ
4588-60 KALAHARI TOPAZ	4595K-52 BAHIA GRANITE	4674-60 EVENING TIGRIS	4724K-52 MILANO AMBER	4725K-52 MILANO BROWN	4726K-52 MILANO QUARTZ	4762-60 MYSTIQUE DAWN	4835-38 TUMBLER ROCA	4841-60 DESERT ZEPHYR	4842-60 CANYON ZEPHYR	4878-38 PEWTER MESH	4882-38 OILED SOAPSTONE
4886-38 PEARL SOAPSTONE	4888-38 RUSTIC SLATE	4904-38 DESERT SPRINGS	4905-38 SPICEWOOD SPRINGS	4907-38 DEEP SPRINGS	4922-52 MADURA PEARL	4924-38 WHITE CARRARA	4925K-07 CALCUTTA MARBLE	4926K-07 BLACK ALICANTE	4929-38 BORDEAUX JUPARANA	4931-38 WHITE JUPARANA	4932-38 GOLDEN JUPARANA
4944-38 CASUAL LINEN	4952K-22 TYPHOON ICE	4952K-52 TYPHOON ICE	4954K-22 ITALIAN WHITE di PESCO	4955K-22 CAFÉ di PESCO	4979K-07 INK VESTA	4981-38 CALACATTA ORO	4987K-07 LECHE VESTA	4988K-07 MERCURY VESTA	4995-60 FORGED STEEL	4998K-22 ANDORRA SHADOW	5000K-22 TOFFEE di PESCO
5003-38 WHITE CASCADE	5004-38 DUSK CASCADE	5005-38 SIERRA CASCADE	5008K-07 PRALINE ANTICO	5009-60 PEBBLE PIAZZA	5010K-07 DRAMA MARBLE	5011K-22 POTTERS CLAY	5025K-22 GLACIER QUARTZITE	5026K-07 BRAZILLIAN GREY	5027K-07 ARENITE CREAM	5028K-07 SOMBRA	5029K-22 OURO BRANCO
5031K-07 QUARTZ FROST	5037-38 ANZIO MARBLE	5039K-15 BELLO ROMANO	5041K-15 GRANITO CASCATA	5042K-07 CALACATTA LINCOLN	5043K-15 LISOLA	5044-60 BEACHWALK	5045K-15 ICE MIST	5062-38 BORGHINI MARBLE	5063K-22 PIETRA VIVA	5064-60 ROCA BASCO	5067K-15 ALUMA MARBLE
P-1000 VL ARABESCATO MARBLE	P-1002 VL SANTA CECILIA	P-1004 VL ROMAN TRAVERTINE	P-1005 VL TYPHOON BORDEAUX CRÈME	P-1006 VL TYPHOON BORDEAUX GREIGE	P-1007 VL CINDER SLATE	P-1008 VL SAINT LAURENT MARBLE	P-1009 VL MONT BLANC	P-1010 BT CITYSCAPE LOFT	P-1011 BT INDUSTRIAL LOFT	P-1013 UL NUVOLATO MARBLE	P-1014 UL TERRAZZO GRANDE
P-1015 UL CARRARA VENATO	P-1016 UL VERSAILLES MARBLE	P-1017 VL BAROQUE SOAPSTONE	P-1018 VL DREAMCATCHER	P-1019 BT ARIA QUARTZITE	P-1020 BT NUAGE QUARTZITE	P-1021 BT PERLA QUARTZITE	P-1022 VL BIANCO STATUARIO	P-1023 BT CHATEAU	P-1024 BT NUVOLATO CREMA		



MANY NON-STOCK COLORS ARE AVAILABLE IN LIMITED SIZES, BALANCE OF LAMINATE MAY NEED TO BE PURCHASED.

\*ALLOW ADDITIONAL LEAD TIME ON NON-STOCK COLORS. NOT ALL COLORS/FINISHES MAY BE LISTED.

### PIONITE

GROUP	GROUP	GROUP	GROUP	GROUP	GROUP	GROUP
AB221SD 1	AP365SD 1	AW141SD 1	MR130SD 1	SG246SD 1	WC230PV 3	WT850SD 1
AB300SD 1	AR250SD 1	AW200SD 1	MT250SD 1	SG254SD 1	WC331PV 3	WT860SD 1
AB400SD 1	AT106SD 1	AW300SD 1	MT310GR 3	S0312SD 1	WC411SD 1	WT870SD 1
AE011CR 3	AT109SD 1	AW700SD 1	MT330SD 1	SP401SD 1	WC421SD 1	WT870TL 3
AE021SD 1	AT161SD 1	AW871SD 1	MT390SX 3	SP414SD 1	WC431PV 3	WT880SD 1
AE060SD 1	AT181SD 1	AY120SD 1	MT500SD 1	SR505SD 1	WC521SD 1	WW011SD 1
AE100PV 3	AT191SD 1	AY135SD 1	MW550SD 1	SR520SD 1	WC652WE 3	WW050SD 1
AG011SD 3	AT231SD 3	AY160SD 1	MW570GR 3	SR525SD 1	WE250NW 3	WW075SD 1
AG021SD 1	AT301SD 1	HP336SD 1	MW570SD 1	SR537FL 3	WE261SM 3	WW120WE 3
AG031SD 1	AT371SD 1	HP359PV 3	MW575SD 1	ST604SD 1	WE280NW 3	WW160SD 1
AG041SX 3	AT435TW 3	HP360SD 1	PFA42SD 1	ST606SD 1	WF131SD 1	WW185SD 1
AG071SD 1	AT440SD 1	HP451SD 1	PFA48SD 1	ST655SD 1	WF181SD 1	WW561SD 1
AG081SM 3	AT505SD 1	HP565SD 1	PFA51SD 1	SV709SD 1	WH110SD 1	WW601SD 1
AG130SM 3	AT650SD 1	HP689SD 1	PFA60SD 1	SV713SD 1	WM115SD 1	WW971SD 1
AG160SD 1	AT660SD 1	ME011EV 3	SB005MZ 3	SV750SD 1	WM221SD 1	WX031SD 1
AG180SD 1	AT680SD 1	ME051SD 1	SB006SD 3	SW803SD 1	WM791SD 1	WX041SD 1
AG361SD 1	AT840SD 1	ME100SD 1	SB007SD 1	SW806SD 1	WM951SD 1	WX110SD 1
AG371SD 1	AT861SD 1	MG071SD 1	SB009SD 1	SW811SD 1	WO095SD 1	WX170SD 1
AG381SD 1	AT965SD 1	MG115GR 3	SB027SD 1	SW813SD 1	WO581SD 1	WX230SD 1
AG415SD 1	AT970LR 3	MG115SX 3	SB040SD 1	SW826SD 1	WO680LZ 3	WX421PV 3
AG471SD 1	AT981SD 1	MG120SX 3	SE101SD 1	SW836SD 1	WO862SD 1	WX440SD 1
AG500LR 3	AT988SD 1	MG125SD 1	SG203SD 1	SW888HX 3	WO951SD 1	WX600SD 1
AG561SD 1	AT991SD 1	MG130SX 3	SG204SD 1	SY913SD 1	WP110SD 1	WX800SD 1
AG601SD 1	AV208SD 1	MG135NS 3	SG208SD 1	SY914SD 1	WP115SD 1	WY031SD 1
AG611SD 1	AV250SD 1	MG145SD 1	SG210SD 1	WA001SD 1	WP120SD 1	WY131SD 1
AG640SD 1	AV674SD 1	MG155SD 1	SG211SD 1	WA030SD 1	WP125SD 1	WY160TL 3
AG730SD 1	AV751SD 1	MG160SD 1	SG213SD 1	WA090SD 1	WP130SD 1	WY351PV 3
AG740TW 3	AV781SD 1	MG170SD 1	SG214SD 1	WA110SD 1	WP140SD 1	WZ150SD 1
AG750SD 1	AV830SD 1	MG180SD 1	SG224SD 1	WA120SD 1	WP500LZ 3	WZ160WE 3
AG801SD 1	AV971SD 1	MG190EV 3	SG228SD 1	WC105SD 1	WT741SD 1	WZ460WE 3
AP280SD 1	AV981SD 1	MG200PV 3	SG240SD 1	WC115SD 1	WT790BB 3	
AP290SD 1	AV999SD 1	MR125SX 3	SG241SD 1	WC210PV 3	WT790SD 1	

## UPCHARGES

### GROUPS

- 0 = No upcharge
- 1 = \$1.60 upcharge
- 2 = \$4.40 upcharge
- 3 = \$6.60 upcharge
- 4 = \$12.84 upcharge

## FINISHES

- |                   |                   |                      |                    |
|-------------------|-------------------|----------------------|--------------------|
| AB = Aged Bark    | FL = Fineline     | LZ = LineZ           | SD = Suede         |
| AS = Aegis Secure | GL = Gloss        | MG = Medium Gloss    | SM = Super Matte   |
| AW = Ashwood      | GR = Granite      | MZ = Metalz          | SX = StoneX        |
| BB = Barnboard    | GV = Groovy       | NS = Natural Stone   | TL = Timberline    |
| CR = Crystal      | HX = Hex          | NW = Natural Wood    | TW = Tactile Weave |
| EV = Evolution    | LR = Soft Leather | PV = Polished Velvet | VE = Velvet        |
|                   |                   |                      | WE = Wood Essence  |

When ordering, please reference the laminate NUMBER, not the name. Some colors and/or finishes may require 5-10 sheet minimums.

Dark solids or Gloss finish laminates will show wear and scratches. WE DO NOT RECOMMEND them for normal kitchen use!

# UPCHARGES PER LINEAL FOOT

MANY NON-STOCK COLORS ARE AVAILABLE IN LIMITED SIZES, BALANCE OF LAMINATE MAY NEED TO BE PURCHASED.

\*ALLOW ADDITIONAL LEAD TIME ON NON-STOCK COLORS. NOT ALL COLORS/FINISHES MAY BE LISTED.

## WILSONART

GROUP	GROUP	GROUP	GROUP	GROUP	GROUP	GROUP	GROUP	GROUP
1500-60 1	4170-60 0	4878-38 0	5000K-22 3	5063K-22 3	7959K-78 3	8214K-28 3	17014K-57 4	
1530-60 1	4551K-01 2	4879-38 0	5001K-07 3	5064-60 0	7960K-18 3	8215K-12 3	17015K-67 4	
1570-60 1	4588K-07 3	4880-38 0	5003-38 0	5065K-22 3	7964K-12 3	8216K-28 3	17016K-67 4	
1572-60 1	4588-60 0	4882-38 0	5004-38 0	5067K-15 3	7965K-12 3	8217K-16 3	17017K-67 4	
1573-60 1	4589K-07 3	4883-38 0	5005-38 0	5068K-22 3	7966K-12 3	8218-38 0	17018K-67 4	
1595K-01 3	4595K-52 3	4886-38 0	5008K-07 3	7039K-78 3	7967K-12 3	8219-38 0	D12K-18 3	
1595-60 0	4621-60 0	4888-38 0	5009-60 0	7040K-78 3	7968K-12 3	8220-38 0	D14-60 1	
1818K-35 4	4622-60 0	4904-38 0	5010K-07 3	7054-60 0	7969K-12 3	8221-38 0	D25-60 1	
1832K-35 4	4623-60 0	4905-38 0	5011K-22 3	7110K-78 3	7970K-18 3	8222K-16 3	D30-60 1	
1849K-35 4	4630-60 0	4907-38 0	5012K-19 3	7122K-07 3	7971K-12 3	8225K-79 3	D50-60 1	
1850K-35 4	4651-60 0	4922K-52 3	5013K-19 3	7209K-78 3	7973K-12 3	8226K-79 3	D73-60 1	
1854K-35 4	4656-60 0	4924-38 0	5014K-19 3	7806-60 0	7975K-12 3	8229K-79 3	D90-60 1	
1858K-55 4	4667-60 0	4925K-07 3	5015-38 0	7816-60 0	7976K-79 3	8231K-79 3	D91-60 1	
1863K-55 4	4669-60 0	4926K-07 3	5016-38 0	7850-60 0	7977K-12 3	8232K-05 4	D92-60 1	
1864K-55 4	4674-60 0	4929-38 0	5017-38 0	7909-60 0	7980K-18 3	8234K-05 4	D96-60 1	
1867K-55 4	4724-60 0	4931-38 0	5018-38 0	7911-60 0	7981K-12 3	8235K-05 4	D307-60 1	
1871K-35 4	4724K-52 3	4932-38 0	5022K-22 3	7919K-78 3	7982-38 0	8236K-05 4	D315-60 1	
1872K-35 4	4725-60 0	4939K-18 3	5023K-19 3	7921-38 0	7983-38 0	8238K-05 4	D321-60 1	
1874K-35 4	4725K-52 3	4940K-18 3	5024K-19 3	7922K-07 3	7984-38 0	8239-38 0	D327-60 1	
1874K-52 3	4726-60 0	4941K-18 3	5025K-22 3	7923K-07 3	7985-38 0	8241-38 0	D354-60 0	
1875K-35 4	4726K-52 3	4942-38 0	5026K-07 3	7924K-07 3	7986-38 0	8242-38 0	D379-60 1	
1875K-52 3	4746-60 0	4943-38 0	5027K-07 3	7925-38 0	7987-38 0	8244K-28 3	D381-60 1	
1876K-35 4	4762-60 0	4944-38 0	5028K-07 3	7928-38 0	7990-38 0	8248K-79 3	D388-60 1	
1876K-52 3	4779-60 0	4945-38 0	5029K-22 3	7929-38 0	7991-38 0	8249K-05 3	D403-60 1	
1877K-35 4	4783-60 0	4946-38 0	5031K-07 3	7933K-07 3	7992-38 0	8254K-05 3	D417-60 1	
1877K-52 3	4795-60 0	4947-38 0	5032K-07 3	7935K-07 3	7993-38 0	8255K-05 3	D427-60 1	
1878K-35 4	4796-60 0	4951K-22 3	5033-38 0	7936K-07 3	7994-38 0	10657-60 0	D431-60 1	
1879K-35 4	4810-60 0	4952K-22 3	5034-38 0	7937-38 0	7995-38 0	10734-60 0	D439-60 1	
1880K-35 4	4811-60 0	4952K-52 3	5035-38 0	7938-38 0	7996-38 0	10745-60 0	D495-60 1	
1881K-35 4	4814-60 0	4954K-22 3	5036-38 0	7939K-18 3	7997-38 0	10776-60 0	D498K-18 3	
1882K-35 4	4820-60 0	4955K-22 3	5037-38 0	7941K-18 3	7998K-18 3	13088-60 0	D501-60 1	
1883K-35 4	4830K-18 3	4957K-22 3	5038K-15 3	7942K-07 3	7999K-12 3	13089-60 0	D502K-18 3	
1884K-35 4	4835-38 0	4971K-52 3	5039K-15 3	7943K-07 3	8200K-16 3	13091-60 0	D503-60 1	
1885K-07 3	4841-60 0	4979K-07 3	5041K-15 3	7944K-01 3	8201K-12 3	13092-60 0	D504-60 1	
1886K-07 3	4842-60 0	4980K-22 3	5042K-07 3	7945K-18 3	8203K-28 3	13096-60 0	D505-60 1	
1887K-22 3	4843-60 0	4981-38 0	5043K-15 3	7946-38 0	8204K-16 3	13102-60 0		
1888K-22 3	4844-60 0	4987K-07 3	5044-60 0	7947K-18 3	8205K-16 3	17000K-57 4		
1889K-07 3	4845-60 0	4988K-07 3	5045K-15 3	7948K-07 3	8207K-16 3	17001K-57 4		
1890K-22 3	4846-60 0	4990-38 0	5046K-15 3	7949K-18 3	8208K-16 3	17002K-57 4		
1891K-55 4	4856-60 0	4991-38 0	5057K-18 3	7951K-18 3	8209K-28 3	17003K-57 4		
2932-60 0	4857-60 0	4992-38 0	5058K-18 3	7952K-18 3	8210K-28 3	17004K-57 4		
4142-60 0	4860K-07 3	4995-60 0	5059K-15 3	7953-38 0	8211K-28 3	17005K-57 4		
4143-60 0	4876-38 0	4996-38 0	5061K-15 3	7954-38 0	8212K-28 3	17012K-57 4		
4168-60 0	4877-38 0	4998K-22 3	5062-38 0	7957K-78 3	8213K-28 3	17013K-57 4		

## UPCHARGES

- GROUPS
- 0 = No upcharge
  - 1 = \$1.60 upcharge
  - 2 = \$4.40 upcharge
  - 3 = \$6.60 upcharge
  - 4 = \$12.84 upcharge

## FINISHES

- 01 = Gloss
- 05 = Timbergrain
- 07 = Textured Gloss
- 12 = Soft Grain
- 15 = Fieldstone
- 16 = Casual Rustic
- 18 = Linearity
- 19 = Leno Weave
- 21 = Soft Silk
- 22 = Antique
- 28 = Gloss Line
- 35 = Mirage HD
- 38 = Fine Velvet Textured
- 52 = Quarry
- 55 = Glaze HD
- 57 = Aligned Oak
- 60 = Matte
- 67 = Aligned Walnut
- 78 = FineGrain
- 79 = Ridgewood
- K = AEON Finish

When ordering, please reference the laminate NUMBER, not the name. Some colors and/or finishes may require 5-10 sheet minimums.

Dark solids or Gloss finish laminates will show wear and scratches. WE DO NOT RECOMMEND them for normal kitchen use!

MANY NON-STOCK COLORS ARE AVAILABLE IN LIMITED SIZES, BALANCE OF LAMINATE MAY NEED TO BE PURCHASED.

\*ALLOW ADDITIONAL LEAD TIME ON NON-STOCK COLORS. NOT ALL COLORS/FINISHES MAY BE LISTED.

### FORMICA

GROUP	GROUP	GROUP	GROUP	GROUP	GROUP	GROUP	GROUP	GROUP	GROUP	GROUP									
118-58	0	912-ML	3	1198-90	3	3546-ML	4	5349-SP	3	6307-58	0	7267-34	3	8238-90	3	8831-58	0	9476-43	0
271-46	3	914-58	1	1485-58	1	3547-34	4	5487-26	3	6314-34	3	7267-58	0	8238-PX	3	8841-WR	3	9476-46	3
271-90	3	914-90	3	1485-90	3	3690-34	3	5488-26	3	6314-58	0	7288-58	0	8240-58	1	8842-WR	3	9476-58	0
299-58	0	918-58	1	1545-PG	3	3690-58	0	5782-NG	3	6319-43	4	7402-11	4	8240-90	3	8843-WR	3	9479-NG	4
346-58	0	918-90	3	1547-PG	3	3692-46	3	5783-NG	3	6320-46	4	7403-11	4	8241-58	1	8844-WR	3	9483-11	4
459-58	1	918-SP	3	2200-58	1	3692-58	0	5784-NG	3	6330-58	1	7403-58	4	8241-90	3	8845-58	0	9483-34	4
459-90	3	920-58	1	2200-90	3	3700-11	4	5785-NG	3	6362-58	0	7404-11	4	8243-58	1	8846-58	0	9484-58	0
463-58	1	920-90	3	2200-MC	3	3701-11	4	5786-NG	3	6362-NG	3	7406-34	3	8243-90	3	8848-58	0	9484-NG	3
463-90	3	923-58	1	2200-SP	3	3702-34	4	5787-NG	3	6372-NG	3	7406-58	0	8244-58	1	8849-58	0	9497-34	3
463-MC	3	923-90	3	2297-58	1	3703-11	4	5788-NG	3	6402-43	0	7407-34	3	8244-90	3	8858-58	1	9497-58	0
463-PX	3	927-58	1	2297-90	3	3704-11	4	5789-43	0	6413-NG	3	7407-58	0	8552-NG	3	8858-PX	3	9510-34	3
464-58	1	927-90	3	2297-MC	3	3705-58	0	5790-43	0	6414-NG	3	7408-43	0	8576-PG	3	8902-NG	3	9511-34	3
464-90	3	927-SP	3	2297-PX	3	3706-58	0	5791-PG	3	6477-NG	3	7408-58	0	8589-PG	3	8905-58	0	9512-34	3
503-58	0	928-58	1	2770-58	1	3706-ML	3	5792-PG	3	6696-46	3	7412-58	0	8676-26	3	8906-58	0	9525-34	3
507-58	0	928-90	3	2770-90	3	3707-58	0	5793-NG	3	6696-58	0	7412-PG	3	8677-26	3	8907-NG	3	9525-58	0
515-58	0	928-ML	3	2962-58	1	3707-ML	3	5794-NG	3	6697-46	3	7413-58	0	8678-58	0	8908-NG	3	9527-34	3
692-58	0	929-58	1	2962-90	3	3708-58	0	5795-NG	3	6697-58	0	7413-PG	3	8679-58	0	8909-NG	3	9527-58	0
756-58	0	929-90	3	3202-58	1	3709-58	0	5796-NG	3	6698-46	3	7481-58	0	8680-58	0	8910-NG	3	9529-43	0
758-58	0	932-58	1	3202-90	3	3710-43	0	5875-58	0	6698-58	0	7494-58	0	8681-58	0	8914-NG	3	9529-58	0
827-46	3	932-90	3	3245-58	1	3711-34	3	5880-58	0	6901-58	1	7708-58	0	8682-58	0	8915-NG	3	9534-34	4
827-90	3	933-58	1	3420-46	4	3712-58	0	5882-58	0	6901-90	3	7732-46	3	8683-58	0	8916-NG	3	9534-ML	4
837-58	1	933-90	3	3422-11	4	3712-NG	3	5883-58	0	6901-MC	3	7732-58	0	8684-58	0	8918-58	0	9536-34	4
837-90	3	934-58	1	3450-43	0	3720-90	3	5884-58	0	6903-58	1	7734-46	3	8685-NG	3	8919-58	0	9536-ML	4
839-58	1	934-90	3	3450-58	0	3720-ML	3	5886-43	0	6903-90	3	7734-58	0	86992-58	0	8958-58	0	9537-34	4
839-90	3	949-42	3	3456-46	3	4923-NG	3	5887-26	3	6903-MC	3	7735-46	3	8751-58	1	9012-26	3	9915-11	4
845-58	1	949-58	0	3456-58	0	4924-NG	3	5889-26	3	6920-58	0	7735-58	0	8751-90	3	9283-NG	3	9916-11	4
845-90	3	949-90	3	3460-11	4	4925-NG	3	5904-43	0	6925-26	3	7738-58	0	8792-58	1	9284-43	4	9917-11	4
851-58	1	949-MC	3	3460-46	4	4971-58	0	6001-58	0	6932-26	3	7739-58	0	8792-90	3	9285-58	0	9918-ML	4
851-90	3	949-ML	3	3466-11	4	4972-58	0	6126-58	0	6942-58	0	7747-58	0	8792-PX	3	9302-34	4	9919-58	4
858-58	1	949-NG	3	3476-46	4	4973-58	0	6127-58	0	6994-26	3	7759-43	0	8793-58	1	9303-43	4	9920-58	4
858-90	3	949-PX	3	3485-58	0	4974-58	0	6129-58	0	6995-26	3	7812-58	0	8793-90	3	9306-34	3	9921-43	4
899-58	1	949-SP	3	3496-46	3	5014-11	4	6130-58	0	6996-26	3	7812-SP	3	8795-58	1	9306-58	0	9922-58	0
899-90	3	961-58	1	3496-58	0	5015-11	4	6206-43	0	6997-58	0	7813-58	0	8795-90	3	9306-ML	3	9922-ML	3
902-58	1	961-90	3	3505-58	0	5018-11	4	6208-43	0	6998-58	0	7813-SP	3	8795-ML	3	9307-34	3	9923-58	0
902-90	3	961-MC	3	3505-SP	3	5019-34	3	6209-43	0	6999-58	0	7872-58	1	8796-58	1	9307-58	0	9923-ML	3
902-ML	3	969-58	1	3517-46	3	5019-58	0	6212-58	0	7008-43	0	7872-90	3	8796-90	3	9308-46	3	9924-58	0
909-42	3	969-90	3	3517-58	0	5323-58	1	6220-58	0	7012-58	0	7872-PX	3	8822-58	1	9308-58	0	9924-ML	3
909-58	0	1097-58	1	3518-46	3	5323-90	3	6222-34	3	7018-58	0	7897-58	1	8822-90	3	9309-46	3	9925-58	0
909-90	3	1097-90	3	3518-58	0	5342-58	1	6222-43	0	7022-58	0	7897-90	3	8824-58	0	9309-58	0		
909-MC	3	1097-MC	3	3522-46	3	5342-90	3	6222-58	0	7197-58	1	7966-58	1	8826-58	0	9310-58	0		
909-NG	3	1193-58	1	3522-58	0	5342-ML	3	6226-46	3	7197-90	3	7966-90	3	8827-58	0	9312-58	0		
909-PX	3	1193-90	3	3526-34	3	5342-SP	3	6226-58	0	7197-ML	3	8235-58	1	8828-58	0	9312-NG	3		
909-SP	3	1196-58	1	3526-46	3	5349-58	1	6280-46	3	7213-58	0	8235-90	3	8829-58	0	9318-BH	3		
912-58	1	1196-90	3	3526-58	0	5349-90	3	6280-58	0	7264-34	3	8235-PX	3	8830-34	3	9319-BH	3		
912-90	3	1198-58	1	3546-46	4	5349-PX	3	6306-58	0	7264-58	0	8238-58	1	8830-58	0	9320-58	0		

### UPCHARGES

#### GROUPS

- 0 = No upcharge
- 1 = \$1.60 upcharge
- 2 = \$4.40 upcharge
- 3 = \$6.60 upcharge
- 4 = \$12.84 upcharge

### FINISHES

- 11 = Satin Touch
- 26 = Oiled Wood
- 34 = Scovato
- 42 = Crystal
- 43 = Artisan
- 46 = Etchings
- 58 = Matte
- 90 = Gloss

- BH = Brush
- MC = MicroDot
- ML = Monolith
- NG = Natural Grain
- PG = Pure Grain
- PX = Plex
- SP = Sculpted
- WR = Woodbrush

When ordering, please reference the laminate NUMBER, not the name. Some colors and/or finishes may require 5-10 sheet minimums. Dark solids or Gloss finish laminates will show wear and scratches. WE DO NOT RECOMMEND them for normal kitchen use!



# UPCHARGES PER LINEAL FOOT

MANY NON-STOCK COLORS ARE AVAILABLE IN LIMITED SIZES, BALANCE OF LAMINATE MAY NEED TO BE PURCHASED.

## NEVAMAR

\*ALLOW ADDITIONAL LEAD TIME ON NON-STOCK COLORS. NOT ALL COLORS/FINISHES MAY BE LISTED.

GROUP	GROUP	GROUP	GROUP	GROUP	GROUP	GROUP
AB2400T 1	KH2001T 1	PH7001T 1	S6047T 1	VU6001T 1	W09400NW 3	WZ2004T 1
AB4440T 1	LD6001T 1	PO7001T 1	S6052T 1	W8294T 1	WP3000AB 3	WZ2007PV 3
AE0500SD 1	LN6001T 1	PR2002T 1	S6053GV 3	W8325T 1	WS9450MG 3	WZ2009T 1
AG1000T 1	LN6002T 1	RK2001NS 3	S6053SM 3	W8343PV 3	WT0003PV 3	WZ2150IW 3
AG1900T 1	LU3001T 1	RK2001T 1	S6053T 1	W8351T 1	WT0005T 1	WZ2200IW 3
AG6300SD 1	LU6001T 1	RK6003T 1	S6054T 1	W8352VE 3	WU0010WE 3	WZ3001T 1
AG7600NS 3	ME0600SD 1	RK7002T 1	S7004T 1	W8369T 1	WU0030WE 3	WZ6001T 1
AG7900EV 3	ME1000EV 3	S1015T 1	S7005T 1	W8371T 1	WU0060T 1	WZ6004T 1
AG8000LZ 3	MG0930EV 3	S1027LZ 3	S7024T 1	WA0001E 3	WW0013MG 3	YSN001T 1
AG8000SD 1	MG1150EV 3	S1027T 1	S7025T 1	WA0002SD 1	WW0900VE 3	YSN002T 1
AG8100SD 1	MG1200EV 3	S1049T 1	S7027T 1	WA3000VE 3	WW1300NW 3	
AG8720SD 1	MG1300EV 3	S2019T 1	S7032T 1	WC2001T 1	WW1700NW 3	
AL2002T 1	MG1600EV 3	S2037T 1	S7036T 1	WC5581MG 3	WW1900NW 3	
AL5002T 1	MG1800EV 3	S2063T 1	S7040T 1	WE2700T 1	WW3100T 1	
ALB001T 1	MH4001T 1	S2069T 1	S8001T 1	WF0001T 1	WW4400VE 3	
ALN002T 1	MH6001T 1	S2084T 1	S8002T 1	WF0002SD 1	WW7800T 1	
ALT005T 1	MH8001T 1	S2085T 1	S8003T 1	WF0011T 1	WW9000WE 3	
AM6001T 1	MR2002T 1	S2086T 1	SB0300T 1	WH0050PV 3	WW9600T 1	
AO3200T 1	MR2003T 1	S2093T 1	SG0004T 1	WH1000WE 3	WX0075AB 3	
AR2830T 1	MR2006T 1	S2110T 1	SL6003EV 3	WK0017BB 3	WX1150PV 3	
AT1810EV 3	MR3003T 1	S2115T 1	SL6003T 1	WK0017T 1	WX4600VE 3	
AT5100T 3	MR3008T 1	S3016T 1	S03300T 1	WK0022T 1	WX8500VE 3	
AT7500SD 1	MR5007T 1	S3022T 1	SP4170T 1	WK0023PV 3	WY2000T 1	
AT7700T 1	MR6001T 1	S3023T 1	SP4200T 1	WK0024T 1	WZ0001T 1	
AT9960EV 3	MR6002T 1	S3048T 1	SR5100T 1	WK0025T 1	WZ0002T 1	
AV2100T 1	MR6004T 1	S3055T 1	SR5240T 1	WK0027FL 3	WZ0003T 1	
AV4000T 1	MR6005T 1	S3068T 1	SV7300T 1	WK0027T 1	WZ0005MG 3	
AW1410NS 3	MR6007T 1	S3070T 1	SV7410T 1	WM0005T 1	WZ0017T 1	
AW1900VE 3	MR6008T 1	S4022T 1	SV7600T 1	WM0046T 1	WZ0018T 1	
AY1300SD 1	MR7001T 1	S4025T 1	SV7700T 1	WM0047T 1	WZ0028PV 3	
AY1500T 1	MR7002T 1	S5052T 1	SY9250T 1	WM2640T 1	WZ0045T 1	
EM6001T 1	MT2500EV 3	S5057T 1	TM2001T 1	WM5528SD 1	WZ0049T 1	
ES2001T 1	MT4050EV 3	S5059T 1	TQ6001T 1	WM5577E 3	WZ0049TL 3	
ES2003T 1	MW5350VE 3	S6001T 1	VA2001T 1	WM8164T 1	WZ0052T 1	
ES6002T 1	MW5450VE 3	S6003T 1	VA2002T 1	WM8258T 1	WZ0053T 1	
ES7001T 1	MW5500NS 3	S6012T 1	VA5001T 1	WM8340T 1	WZ0054T 1	
FN1002T 1	MW5700EV 3	S6014T 1	VA5002T 1	WM8342T 1	WZ0055T 1	
FN6001T 1	MW5800EV 3	S6020T 1	VA6001T 1	WM8349T 1	WZ0056T 1	
FS2001T 1	MW5800SD 1	S6023T 1	VA7002T 1	WM8350T 1	WZ0057T 1	
GR2004T 1	MW5850VE 3	S6024T 1	VE6001T 1	W00040T 1	WZ0062T 1	
GR4001T 1	MW5900EV 3	S6027T 1	VS2001T 1	W01400WE 3	WZ0063T 1	
HLB001T 1	MW6000EV 3	S6031T 1	VS2002T 1	W02600NW 3	WZ0080TL 3	
HLT001T 1	MXT002T 1	S6033T 1	VS5002T 1	W07100WE 3	WZ2000T 1	
HLT004T 1	MXT003T 1	S6037T 1	VS6001T 1	W08800NW 3	WZ2001T 1	

## UPCHARGES FINISHES

GROUPS	AB = Aged Bark	FL = Finline	LZ = LineZ	SD = Suede
0 = No upcharge	AS = Aegis Secure	GL = Gloss	MG = Medium Gloss	SM = Super Matte
1 = \$1.60 upcharge	AW = Ashwood	GR = Granite	MZ = Metalz	SX = StoneX
2 = \$4.40 upcharge	BB = Barnboard	GV = Groovy	NS = Natural Stone	T = ARP (Armored Protection)
3 = \$6.60 upcharge	CR = Crystal	HX = Hex	NW = Natural Wood	TL = Timberline
4 = \$12.84 upcharge	EV = Evolution	LR = Soft Leather	PV = Polished Velvet	TW = Tactile Weave
				VE = Velvet
				WE = Wood Essence

When ordering, please reference the laminate NUMBER, not the name. Some colors and/or finishes may require 5-10 sheet minimums. Dark solids or Gloss finish laminates will show wear and scratches. WE DO NOT RECOMMEND them for normal kitchen use!



MANY NON-STOCK COLORS ARE AVAILABLE IN LIMITED SIZES, BALANCE OF LAMINATE MAY NEED TO BE PURCHASED.

\*ALLOW ADDITIONAL LEAD TIME ON NON-STOCK COLORS. NOT ALL COLORS/FINISHES MAY BE LISTED.

### ARBORITE

GROUP	GROUP	GROUP	GROUP	GROUP	GROUP	GROUP
1403GL 2	P283FP 2	P389CA 1	P418CA 1	S576CA 1	W452RM 2	W488RM 3
1539EV 3	P285FP 2	P390CA 1	P419CA 1	S577CA 1	W453VL 2	W489CW 3
P1000VL 3	P297SR 4	P391UL 1	P420CA 1	S578CA 1	W454EV 3	W490CW 3
P1002VL 3	P300SR 4	P392CA 1	P421CA 1	S579CA 1	W455EV 3	W491CW 3
P1004VL 3	P301SR 4	P393CA 1	P421VL 2	S580CA 1	W456EV 3	W492CW 3
P1005VL 3	P304BC 2	P394CA 1	P422RM 2	S581CA 1	W458SR 4	W493CW 3
P1006VL 3	P310SR 4	P394VL 2	P423RM 2	S582cA 1	W459LE 3	W494CW 3
P1007VL 3	P311CA 1	P395CA 1	P500CA 1	S583CA 1	W460LE 3	W495CW 3
P1008VL 3	P316CA 1	P395VL 2	P623MX 4	S584CA 1	W461EV 3	W496CW 3
P1009VL 3	P317CA 1	P396CA 1	P885CA 1	W134VL 2	W462EV 3	W497CW 3
P1010BT 3	P318CA 1	P396VL 2	P999CA 1	W138VL 2	W464LE 3	W498CW 3
P1011BT 3	P323MX 4	P397VL 2	S405CA 1	W305VL 2	W465LE 3	W499CW 3
P1013UL 3	P325MX 4	P398CA 1	S406CA 1	W373EV 3	W466LE 3	W500LE 3
P1014UL 3	P327CA 1	P398VL 2	S407CA 1	W403EV 3	W467LE 3	W501LE 3
P1015UL 3	P331CA 1	P399CA 1	S419CA 1	W405VL 2	W468LE 3	
P1016UL 3	P344RM 2	P400CA 1	S431CA 1	W411VL 2	W469LE 3	
P1017VL 3	P345CA 1	P401CA 1	S434CA 1	W412FP 2	W470LE 3	
P1018VL 3	P346CA 1	P402CA 1	S436CA 1	W415FP 2	W471LE 3	
P1019BT 3	P350FP 2	P403CA 1	S444CA 1	W418FP 2	W472VL 2	
P1020BT 3	P354CA 1	P404CA 1	S445CA 1	W424FP 2	W473VL 2	
P1021BT 3	P356RM 2	P405CA 1	S463CA 1	W425FP 2	W474LE 3	
P1022VL 3	P362SR 4	P406CA 1	S466CA 1	W428VL 2	W475LE 3	
P1023BT 3	P363SR 4	P407CA 1	S480CA 1	W429VL 2	W476EV 3	
P1024BT 3	P364SR 4	P407VL 2	S486CA 1	W430VL 2	W477EV 3	
P124CA 1	P379CA 1	P408RM 2	S497CA 1	W431VL 2	W478EV 3	
P127CA 1	P380CA 1	P409RM 2	S498CA 1	W432RM 2	W479EV 3	
P203CA 1	P381CA 1	P410RM 2	S508CA 1	W433RM 2	W480CW 3	
P257CA 1	P382CA 1	P411RM 2	S513CA 1	W436FP 2	W481CW 3	
P258CA 1	P383CA 1	P412RM 2	S517CA 1	W437FP 2	W482CW 3	
P259CA 1	P384CA 1	P413RM 2	S542CA 1	W446FP 2	W483CW 3	
P271CA 1	P385CA 1	P414CA 1	S548CA 1	W448FP 2	W484CW 3	
P276CA 1	P386CA 1	P415CA 1	S550CA 1	W449EV 3	W485CW 3	
P277LM 2	P387CA 1	P416CA 1	S568CA 1	W450EV 3	W486CW 3	
P282FP 2	P388CA 1	P417CA 1	S575CA 1	W451EV 3	W487RM 3	

### UPCHARGES

#### GROUPS

- 0 = No upcharge
- 1 = \$1.60 upcharge
- 2 = \$4.40 upcharge
- 3 = \$6.60 upcharge
- 4 = \$12.84 upcharge

### FINISHES

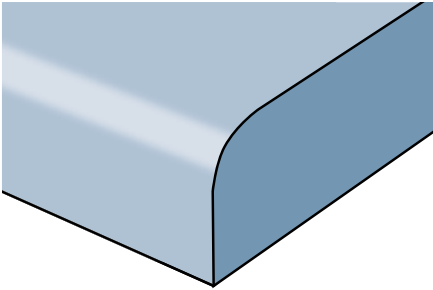
- AW = Artisan Walnut
- BC = Breccia
- BT = Basalt
- CA = Cashmere

- CW = Casual Wood
- DI = Diamond
- EV = Evergrain
- FP = French Polish
- GL = Gloss
- LE = Legno
- LM = Luminous
- LQ = Laqwood
- MX = Metalux
- RM = Refined Matte

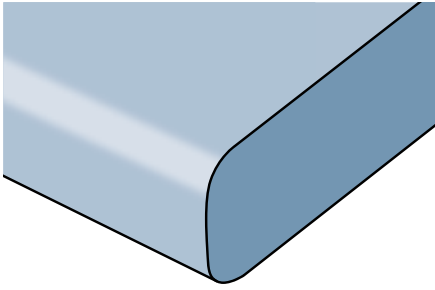
- SR = Structured
- UL = Ultra Smooth
- VL = Velvatex

When ordering, please reference the laminate NUMBER, not the name. Some colors and/or finishes may require 5-10 sheet minimums. Dark solids or Gloss finish laminates will show wear and scratches. WE DO NOT RECOMMEND them for normal kitchen use!

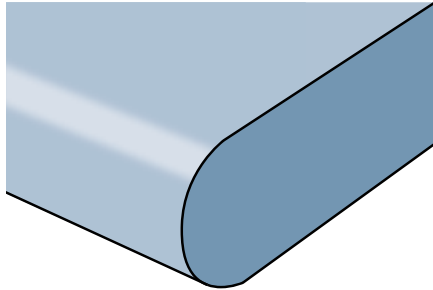
AVAILABLE EDGE PROFILES



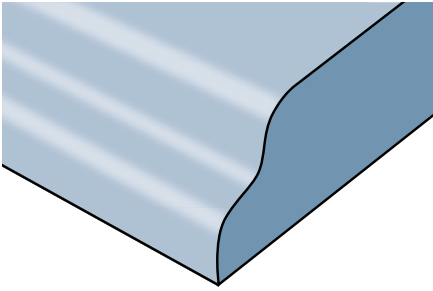
ROLLED EDGE



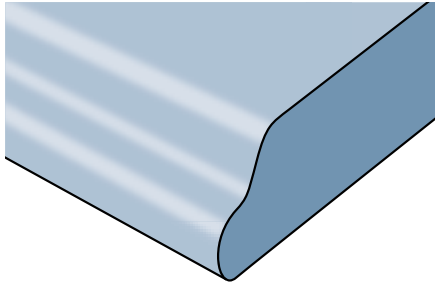
"D" EDGE



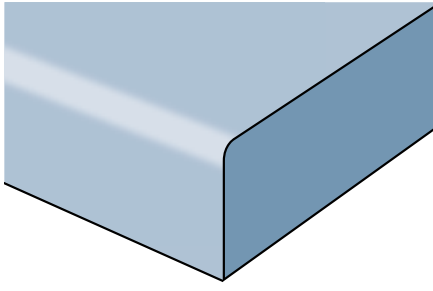
180° EDGE



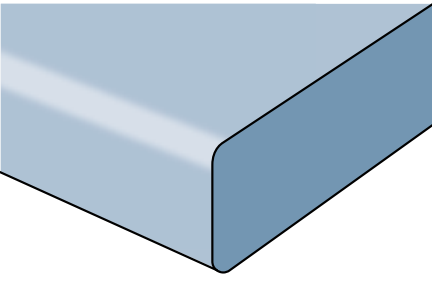
ROMAN EDGE



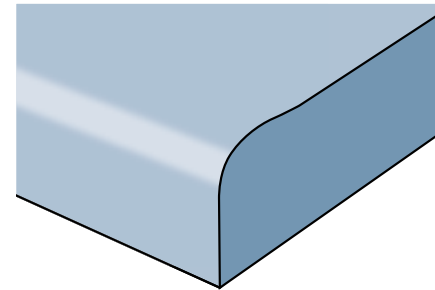
PREMIER EDGE



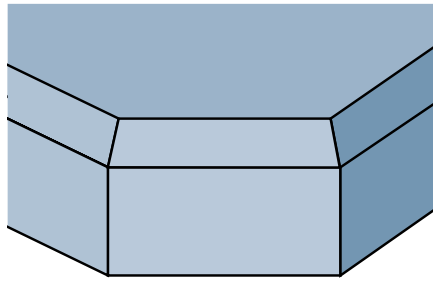
REGENT EDGE



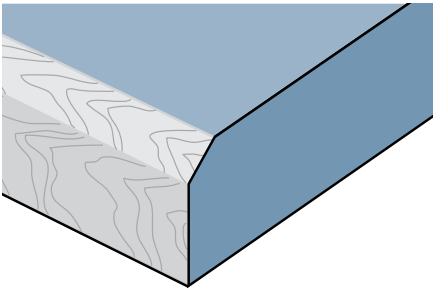
MONARCH EDGE



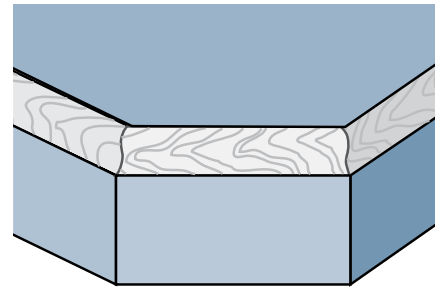
NO DRIP EDGE



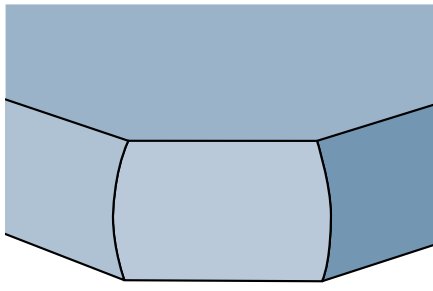
SINGLE BEVEL W/ LAMINATE EDGE



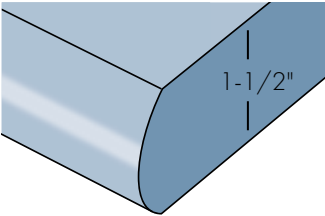
SINGLE BEVEL FULL WOOD



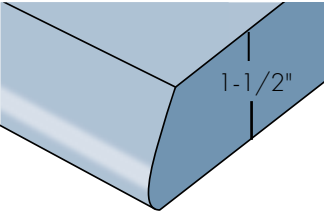
OGEE EDGE W/LAMINATE BAND



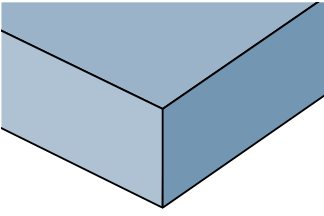
CRESCENT EDGE



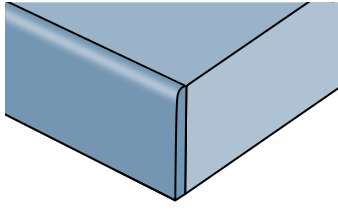
IDEAL EDGE BULLNOSE (FORMICA COLORS ONLY)



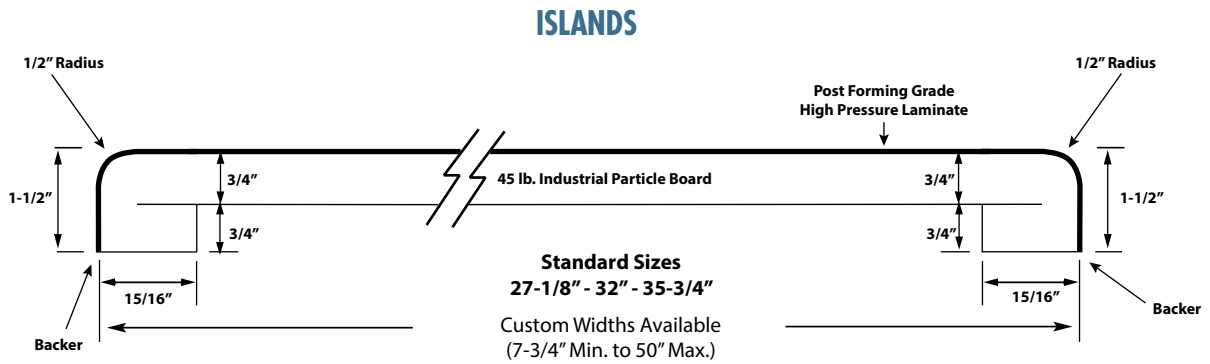
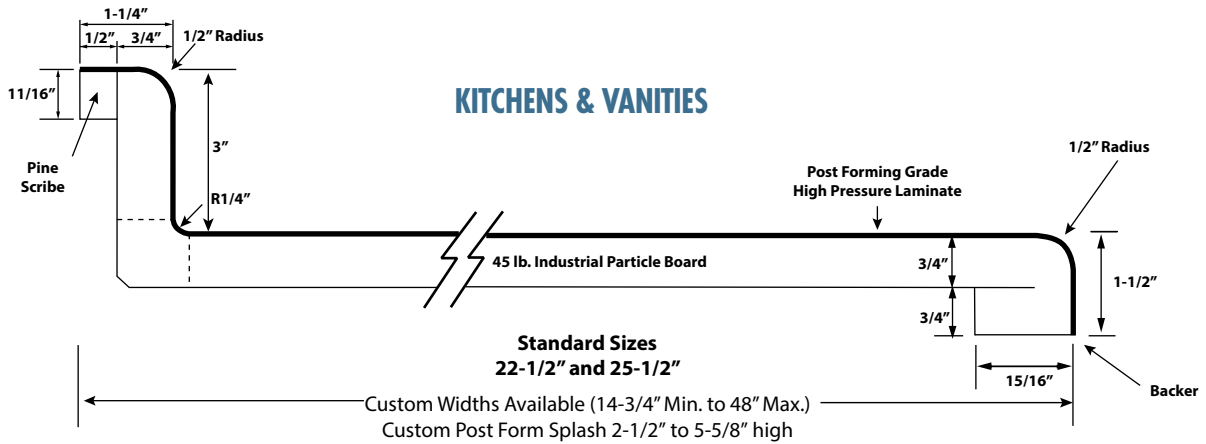
IDEAL EDGE OGEE (FORMICA COLORS ONLY)



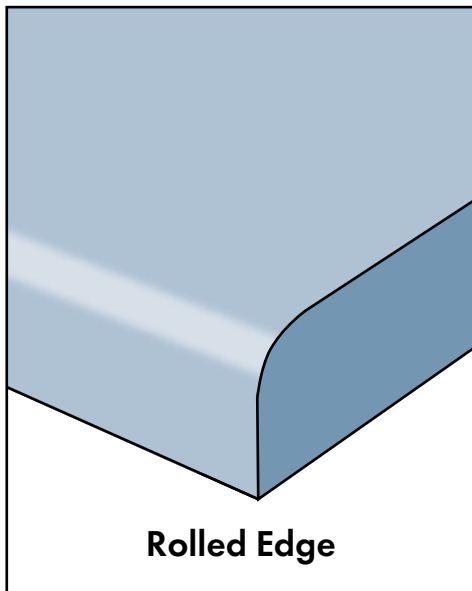
SQUARE EDGE



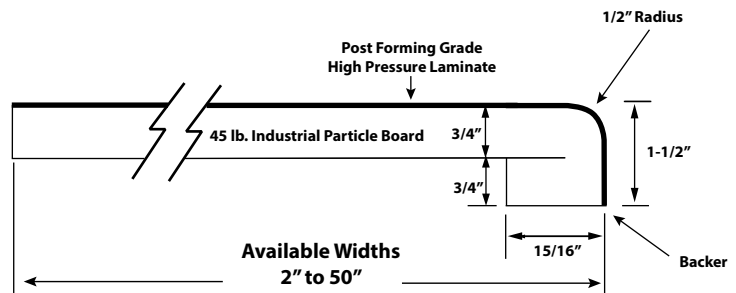
PVC EDGE



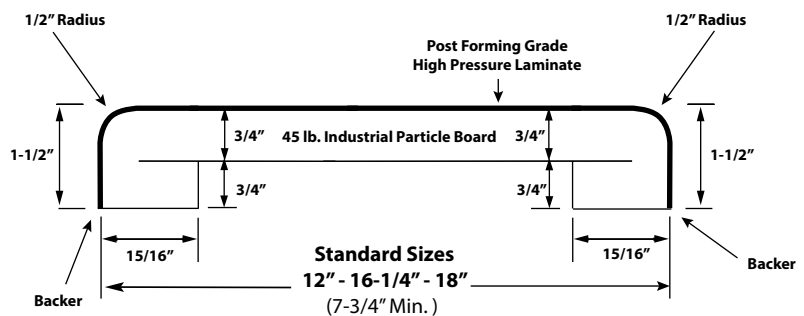
Backer is required for tops that exceed 36" in width when temperature and humidity levels are elevated. Orders requested without backer will void warranty coverage.



## SINGLE EDGE COUNTERTOPS



## NARROW ISLANDS



## ROLLED EDGE COUNTER TOPS

(3" High Splash)

(PRICES ARE PER LN. FT.)	GROUP 0	GROUP 1	GROUP 2	GROUP 3	GROUP 4
Kit. Tops, 25-1/2" Deep	\$24.32	\$25.92	\$28.72	\$30.92	\$37.16
Van. Tops, 22-1/2" Deep	\$24.32	\$25.92	\$28.72	\$30.92	\$37.16
27-1/8" Island Tops	\$24.32	\$25.92	\$28.72	\$30.92	\$37.16
32" Island Tops	\$34.18	\$35.78	\$38.58	\$40.78	\$47.02
35-3/4" Island Tops	\$34.18	\$35.78	\$38.58	\$40.78	\$47.02

## SINGLE EDGE

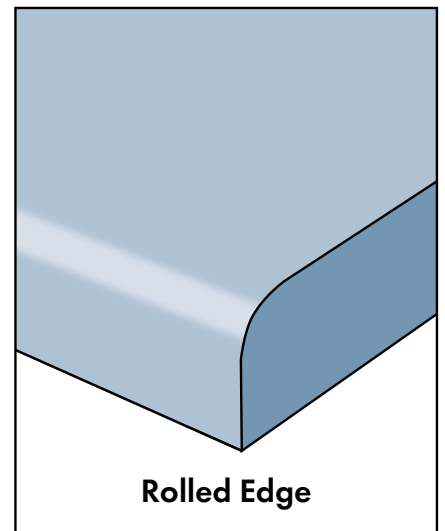
Up to 26" Deep	\$24.32	\$25.92	\$28.72	\$30.92	\$37.16
26-1/8" to 34-3/4" Deep	\$34.18	\$35.78	\$38.58	\$40.78	\$47.02
34-7/8" to 44" Deep*	\$47.92	\$49.52	\$52.32	\$54.52	\$60.76
44-1/8" to 50" Deep*	\$56.14	\$59.34	\$64.94	\$69.34	\$81.82

## MITERS

22-1/2 or 45 degree std. miters.....(Ref 103, 106, 108, 110).....	(priced per pair)	\$31.88
Spliced / 90 Degree Miters.....		\$90.00
Special degree miters.....(Ref 104, 105, 109).....		\$90.00
Dog leg miters.....(Ref 107).....		\$90.00
T-Splice miters.....(Ref 114).....		\$141.44
Z-Miters.....(Ref 104Z, 109Z).....		\$244.20
Miter Splice Assembled (Tops over 144" to 157").....(Ref 103).....		\$71.00
If Spline in miter.....(Ref 101, 102).....ADD.....		\$25.94
<b>Note: Remember to add for nose caps when mitering islands to tops with a backsplash.....</b>		<b>\$20.82</b>

## ADDITIONAL CHARGES

	(per linear foot)
Poly Applied to Counter Tops.....	\$1.70
3/4" Scribe on backsplash.....	\$7.00
Labor ONLY for screwed on backsplash.....	\$8.20
Padding Strips Applied to Counter Tops.....	\$3.84
If Square back splash:.....ADD.....	\$6.44
Sink Cutout, Specify HOLE Size, or Template # from page 71.....	\$32.00
Custom Sink Cutout (any sink we have to make a template for).....	\$105.82
<b>Tops w/ Backer</b>	
Up to 30" Deep.....	\$6.35
30-1/8" - 45".....	\$8.50
For Tops over 45" deep.....	\$11.15
Add 3/4" filler to any top.....(Per Sq Ft).....	\$5.50
<b>Non-stock rush orders are subject to a minimum charge.....</b>	<b>\$115.00</b>



\* Backer is required for tops that exceed 36" in width when temperature and humidity levels are elevated. Orders requested without backer will void warranty coverage.



**SPECIAL ROLLED EDGE COUNTER TOPS**

(prices are per ln. ft.)

	Group 0	Group 1	Group 2	Group 3	Group 4
--	---------	---------	---------	---------	---------

**SPECIAL BACKSPLASH TRIPLE COVE**

25" Deep w/ 4" Splash	\$24.32	\$25.92	\$28.72	\$30.92	\$37.16
25-1/2" Deep w/ 4" Splash	\$32.28	\$33.88	\$36.68	\$38.88	\$45.12

**SPECIAL DEPTH &/OR SPLASH HEIGHT (MAX. 5-5/8" HIGH B.S.)**

~Overall top depth plus splash height~

Equal to or less than 28-1/2"	\$34.32	\$35.92	\$38.72	\$40.92	\$47.16
28 -5/8" up to 37"*	\$45.52	\$47.12	\$49.92	\$52.12	\$58.36
Greater than 37-1/8" up to 51"*	\$49.92	\$51.52	\$54.32	\$56.52	\$62.76

**SPECIAL DEPTH W / SCREWED ON SPLASH**

~Overall top depth plus splash height~

Equal to or less than 27-3/8"	\$42.76	\$44.36	\$47.16	\$49.36	\$55.60
27-1/2" up to 36"*	\$52.38	\$53.98	\$56.78	\$58.98	\$65.22
36-1/8" up to 45-1/4"*	\$56.12	\$57.72	\$60.52	\$62.72	\$68.96
45-3/8" up to 50-1/4"*	\$64.34	\$67.54	\$73.14	\$77.54	\$90.02

**SPECIAL DEPTH POSTFORMED ISLANDS**

12" Wide Island	\$24.32	\$25.92	\$28.72	\$30.92	\$37.16
16-1/4" AND 18" Islands	\$24.32	\$25.92	\$28.72	\$30.92	\$37.16

**OTHER SPECIAL DEPTH ISLANDS**

7-3/4" to 27" Wide	\$34.56	\$36.16	\$38.96	\$41.16	\$47.40
27-1/4" to 35-1/2" Wide	\$44.18	\$45.78	\$48.58	\$50.78	\$57.02
35-7/8" to 45" Wide*	\$47.92	\$49.52	\$52.32	\$54.52	\$60.76
45-1/8" to 50" Wide*	\$56.14	\$59.34	\$64.94	\$69.34	\$81.82

\* Backer is required for tops that exceed 36" in width when temperature and humidity levels are elevated. Orders requested without backer will void warranty coverage.

**ROLLED BACKSPLASH WITH SCRIBE**

(loose) up to 7" high	\$12.64	\$13.04	\$13.74	\$14.29	\$15.85
-----------------------	---------	---------	---------	---------	---------

**3/4" SQUARE BACKSPLASH WITH NO SCRIBE**

(loose) up to 6" high	\$10.30	\$10.70	\$11.40	\$11.95	\$13.51
-----------------------	---------	---------	---------	---------	---------

**NOTES**

## LAMINATE FINISHED ENDS

Straight end cap, applied .....	\$20.82
Eased corners & radiused corners up to 4" radius, priced per corner, including cap.....(Ref 133,134) .....	\$32.02
Radiused corners over 4", priced per corner, including cap.....(Ref 134) .....	\$42.60
Radius end of island top.....(Ref 135) .....	\$84.56
Nose cap.....(Ref 136) .....	\$20.82
1 angle cut .....	\$18.38
1 angle cut & capped.....(Ref 128).....	\$39.20
Double angle cut & capped, 1 or 2 piece cap.....(Ref 129) .....	\$78.40
Banjo cut & cap, with or without rounded corners.....(Ref 130) .....	\$143.78
Ease outside point when 2 island tops are mitered together	
Up to 4" radius .....	(Ref 108) .....
Over 4" radius .....	(Ref 108) .....
Square edge end splash, finished or with loose edging strips.....	\$28.10
Square edge end splash with radiused top front corner .....	\$44.12
Island end splash (finished both ends).....	\$39.34
Contoured Splash to set on top of top.....(Ref. page 69) .....	\$35.92
Special Contoured to set on top of top.....	\$60.30

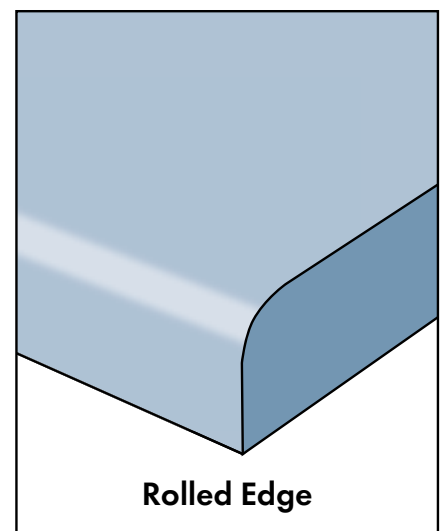
**NOTE: (Square edge end splashes do not come attached to tops)**

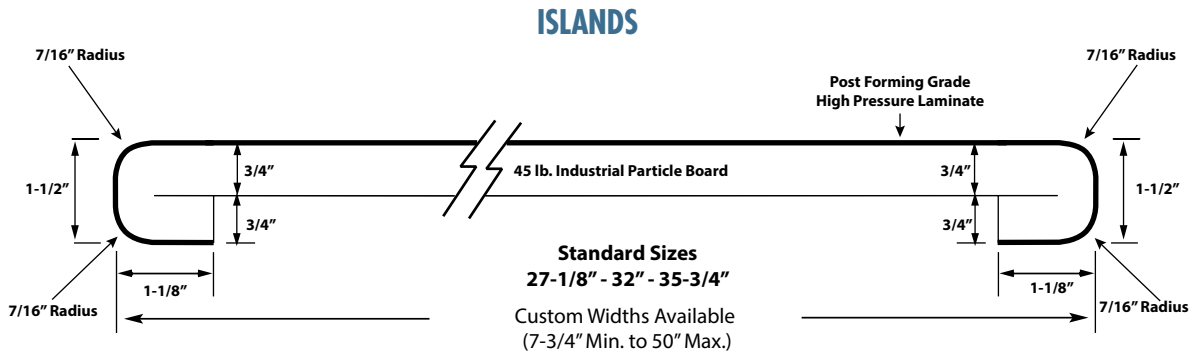
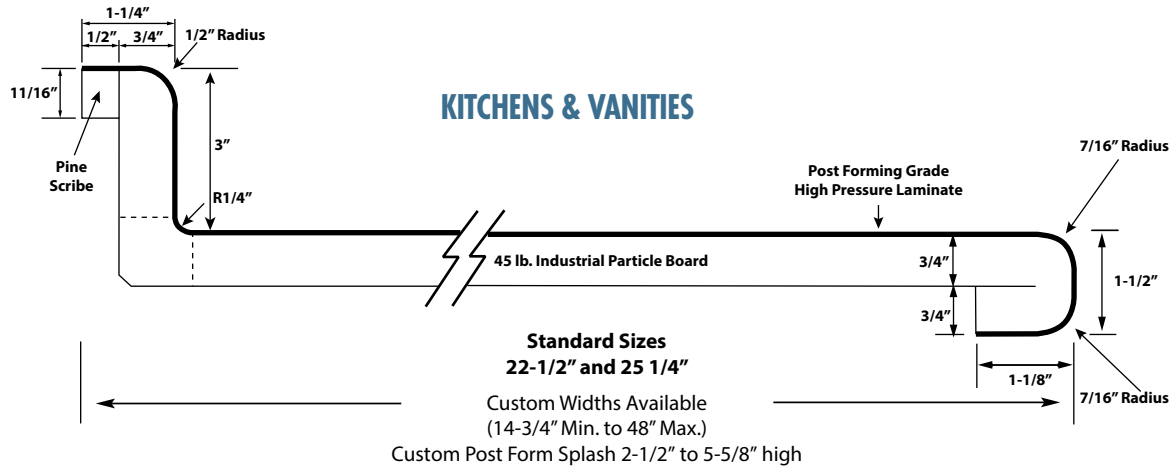
Rolled end splash attached to top.....	\$128.68
L-shaped square edge end splash.....(Ref 111) .....	\$152.20
L-shaped rolled end splash, attached to top, price includes notch.....(Ref 111) .....	\$260.28
End cap, loose .....	\$4.80
End cap, loose, cut to fit.....	\$20.82
2" x 30" cap, loose.....	\$4.25
2" x 48" cap, loose.....	\$6.76
5" x 30" cap, loose.....	\$7.18
Edge banding, loose, 2" wide, Priced per lineal foot .....	\$1.50
<b>Non-stock rush orders are subject to a minimum charge .....</b>	<b>\$115.00</b>

**BACKER IS A .020 THICK SHEET OF LAMINATE WITH NO PATTERN SHEET.**

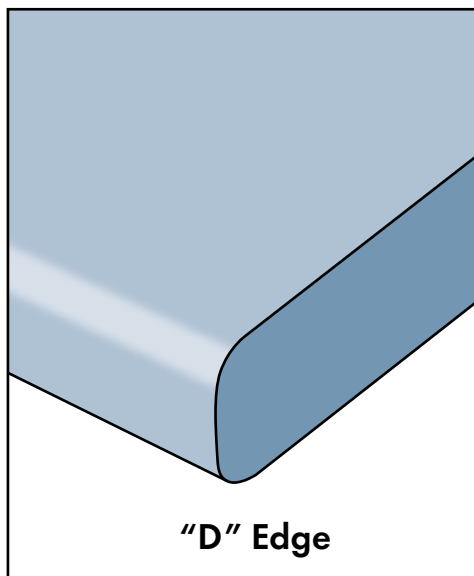
**NORMAL COLOR IS DARK BROWN.**

**NON-STOCK ORDERS MAY NEED ADDITIONAL LEAD TIME.**

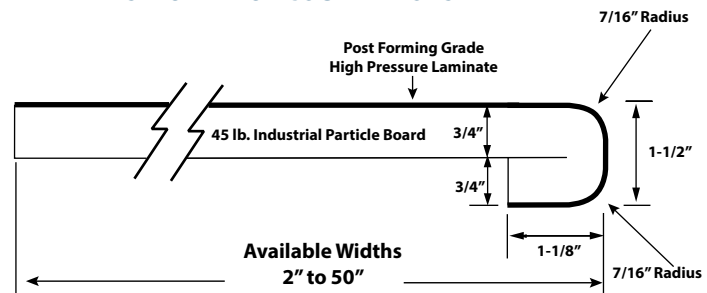




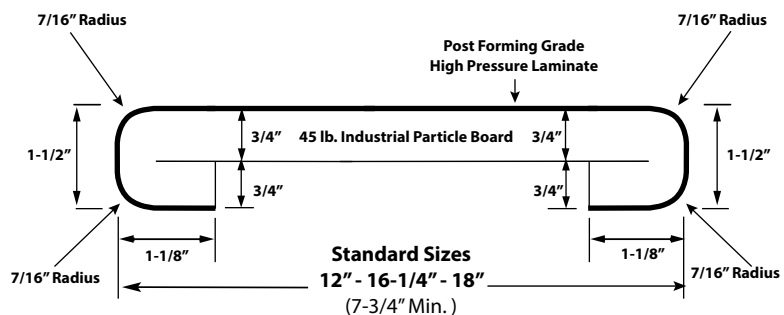
Backer is required for tops that exceed 36" in width when temperature and humidity levels are elevated.  
Orders requested without backer will void warranty coverage.



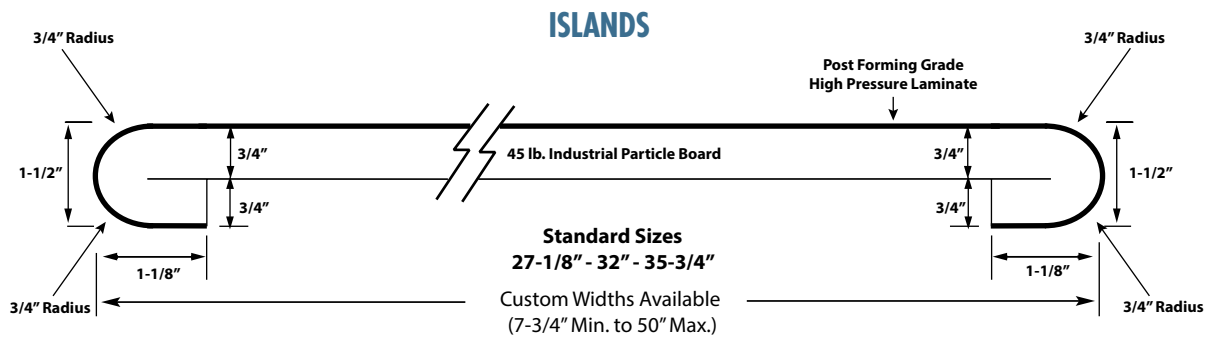
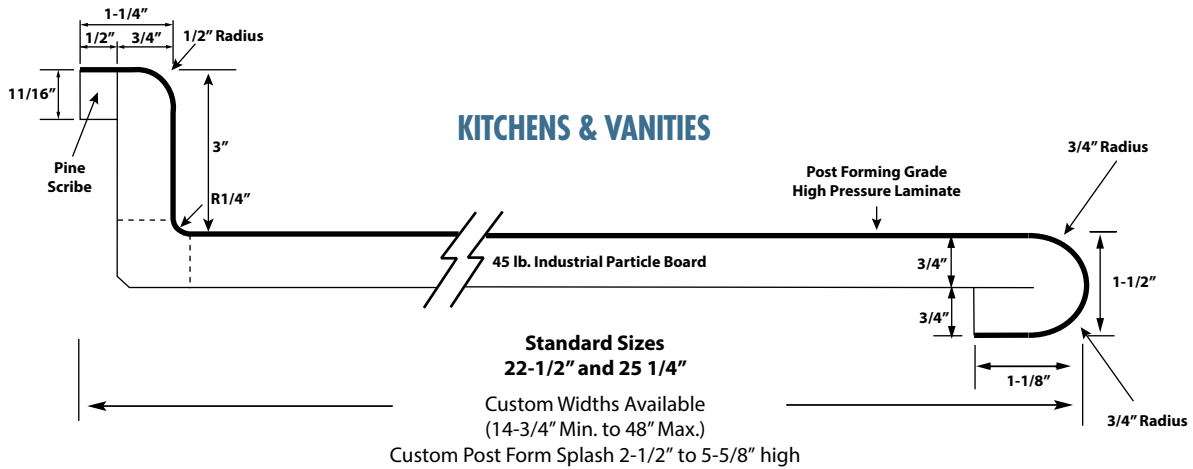
### SINGLE EDGE COUNTERTOPS



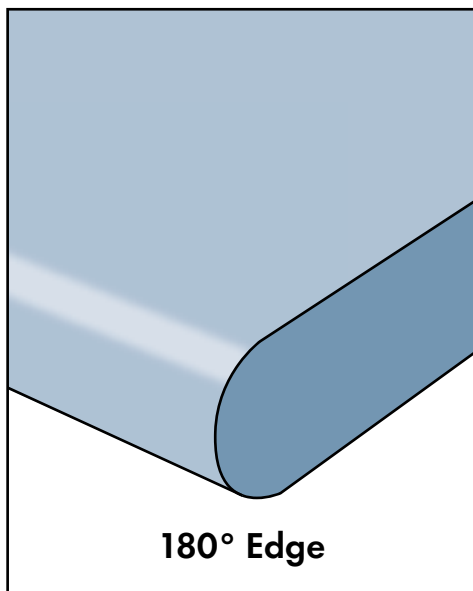
### NARROW ISLANDS



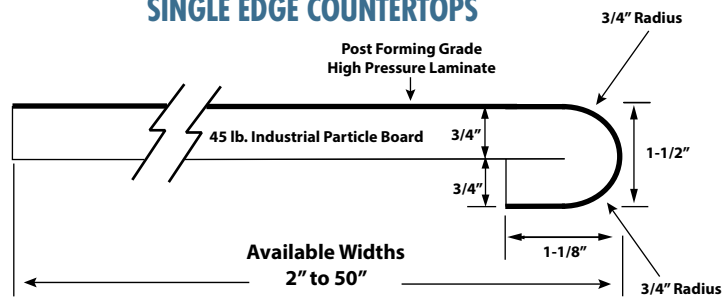




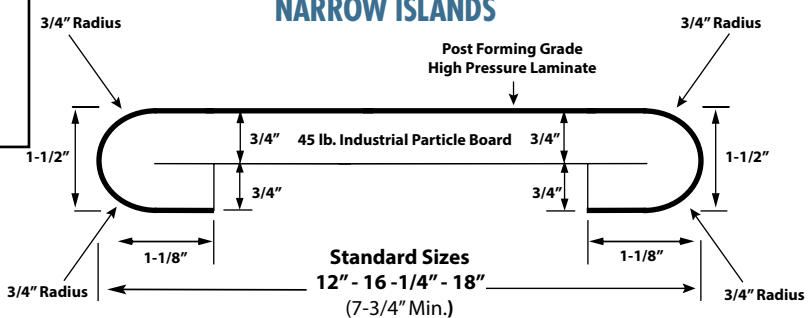
Backer is required for tops that exceed 36" in width when temperature and humidity levels are elevated. Orders requested without backer will void warranty coverage.



### SINGLE EDGE COUNTERTOPS



### NARROW ISLANDS





### "D" EDGE / 180 WRAP COUNTER TOPS

(3" High Splash)

(PRICES ARE PER LIN.FT.)

	GROUP 0	GROUP 1	GROUP 2	GROUP 3	GROUP 4
Kit. Tops, 25-1/4" Deep	\$30.82	\$32.42	\$35.22	\$37.42	\$43.66
Van. Tops, 22-1/2" Deep	\$30.82	\$32.42	\$35.22	\$37.42	\$43.66
27-1/8" Island Tops	\$37.54	\$39.14	\$41.94	\$44.14	\$50.38
32" Island Tops	\$40.68	\$42.28	\$45.08	\$47.28	\$53.52
35-3/4" Island Tops	\$40.68	\$42.28	\$45.08	\$47.28	\$53.52

### SINGLE EDGE

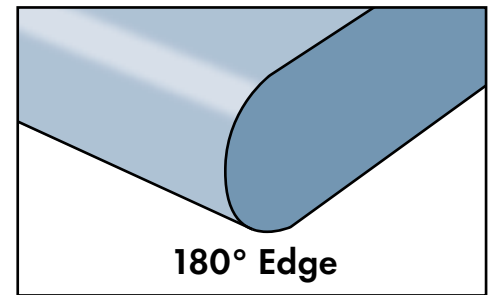
	GROUP 0	GROUP 1	GROUP 2	GROUP 3	GROUP 4
Up To 26" Deep	\$30.82	\$32.42	\$35.22	\$37.42	\$43.66
26-1/8" to 34-3/4" Deep	\$40.68	\$42.28	\$45.08	\$47.28	\$53.52
34-7/8" to 42" Deep*	\$54.42	\$56.02	\$58.82	\$61.02	\$67.26
42-1/8" to 49" Deep*	\$62.64	\$65.84	\$71.44	\$75.84	\$88.32

### MITERS

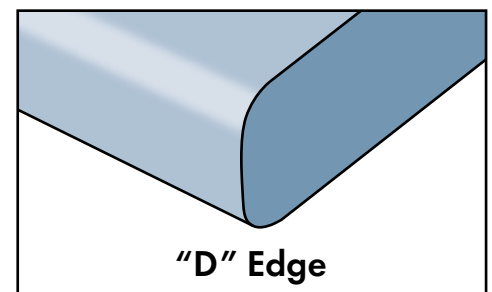
22-1/2 or 45 degree std. miters.....(Ref 103, 106, 108, 110).....	(priced per pair)	\$31.88
Spliced / 90 Degree Miters.....		\$90.00
Special degree miters.....(Ref 104, 105, 109).....		\$90.00
Dog leg miters.....(Ref 107).....		\$90.00
T-Splice miters.....(Ref 114).....		\$141.44
Z-Miter.....(Ref 104Z, 109Z).....		\$244.20
Miter Splice Assembled (Tops over 144" to 157").....(Ref 103).....		\$71.00
If Spline in miter.....(Ref 101, 102).....ADD.....		\$25.94
<b>Note: Remember to add for nose caps when mitering islands to tops with a backsplash.....</b>		<b>\$20.82</b>

### ADDITIONAL CHARGES

	(per linear foot)
Poly Applied to Counter Tops.....	\$1.70
3/4" Scribe on backsplash.....	\$7.00
Labor ONLY for screwed on back splash.....	\$8.20
Padding Strips Applied to Counter Tops.....	\$3.84
If Square back splash.....ADD.....	\$6.44
Sink Cutout, Specify HOLE Size, or Template # from page 71.....	\$32.00
Custom Sink Cutout (any sink we have to make a template for).....	\$105.82
Tops w/ Backer	
Up to 30" Deep.....	\$6.35
30-1/8" - 45".....	\$8.50
For Tops over 45" deep.....	\$11.15
Add 3/4" filler to any top..... (Per SQ FT).....	\$5.50
<b>Non-stock rush orders are subject to a minimum charge.....</b>	<b>\$115.00</b>



180° Edge



"D" Edge

\* Backer is required for tops that exceed 36" in width when temperature and humidity levels are elevated. Orders requested without backer will void warranty coverage.

## SPECIAL D EDGE / 180 WRAP COUNTER TOPS

(PRICES ARE PER LN. FT.)

	GROUP 0	GROUP 1	GROUP 2	GROUP 3	GROUP 4
<b>SPECIAL DEPTH D-EDGE/180</b>					
25-1/2" deep w/ 3" splash	\$39.54	\$41.14	\$43.94	\$46.14	\$52.38
25-1/2" deep w/ 4" splash	\$39.54	\$41.14	\$43.94	\$46.14	\$52.38

### SPECIAL DEPTH &/OR SPLASH HEIGHT (MAX. 5-5/8" HIGH B.S.)

~Overall top depth plus splash height~

Equal to or less than 28-1/4"	\$40.82	\$42.42	\$45.22	\$47.42	\$53.66
28 -3/8" up to 37"*	\$52.02	\$53.62	\$56.42	\$58.62	\$64.86
Greater than 37-1/8" up to 51"*	\$56.42	\$56.42	\$58.02	\$60.82	\$63.02

### SPECIAL DEPTH W/SCREWED ON SPLASH

~Overall top depth plus splash height~

Equal to or less than 25-1/4"	\$49.26	\$50.86	\$53.66	\$55.86	\$62.10
25-3/8" up to 35-7/8"	\$58.88	\$60.48	\$63.28	\$65.48	\$71.72
36" up to 43-1/4"*	\$62.62	\$64.22	\$67.02	\$69.22	\$75.46
43-3/8" up to 50-1/4"*	\$70.84	\$74.04	\$79.64	\$84.04	\$96.52

### SPECIAL DEPTH D-EDGE/180 ISLANDS

12" Wide Island	\$30.82	\$32.42	\$35.22	\$37.42	\$43.66
16-1/4" and 18" Islands	\$30.82	\$32.42	\$35.22	\$37.42	\$43.66

### OTHER SPECIAL DEPTH ISLANDS

7-3/4" to 25" Wide	\$41.06	\$42.66	\$45.46	\$47.66	\$53.90
25-1/8" to 35-5/8" Wide	\$50.68	\$52.28	\$55.08	\$57.28	\$63.52
35-7/8" to 43" Wide*	\$54.42	\$56.02	\$58.82	\$61.02	\$67.26
43-1/8" to 50" Wide*	\$62.64	\$65.84	\$71.44	\$75.84	\$88.32

\* Backer is required for tops that exceed 36" in width when temperature and humidity levels are elevated. Orders requested without backer will void warranty coverage.

### ROLLED BACKSPLASH WITH SCRIBE

(loose) up to 7" high	\$12.64	\$13.04	\$13.74	\$14.29	\$15.85
-----------------------	---------	---------	---------	---------	---------

### 3/4" SQUARE BACKSPLASH WITH NO SCRIBE

(loose) up to 6" high	\$10.30	\$10.70	\$11.40	\$11.95	\$13.51
-----------------------	---------	---------	---------	---------	---------

## NOTES

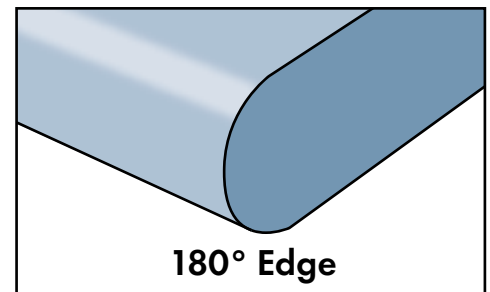


### LAMINATE FINISHED ENDS

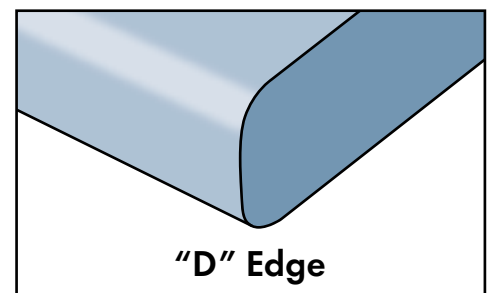
Straight end cap, applied .....	\$20.82	
Eased corners & radiused corners up to 4" radius, priced per corner, including cap.....(Ref 133,134) .....	\$32.02	
Radiused corners over 4", priced per corner, including cap.....(Ref 134) .....	\$42.60	
Radius end of island top.....(Ref 135) .....	\$84.56	
Nose cap.....(Ref 136) .....	\$20.82	
1 angle cut .....	(Ref 128) .....	\$18.38
1 angle cut & capped .....	(Ref 128) .....	\$39.20
Double angle cut & capped, 1 or 2 piece cap.....(Ref 129) .....	\$78.40	
Banjo cut & cap, with or without rounded corners.....(Ref 130) .....	\$143.78	
Ease outside point when 2 island tops are mitered together		
Up to 4" radius .....	(Ref 108).....	\$111.90
Over 4" radius .....	(Ref 108).....	\$122.48
Square edge end splash, with radiused bottom front corner.....(Ref. Page 69) Made for D & 180 .....	\$44.12	
Island end splash (finished both ends).....(Ref. Page 69) Made for D & 180 .....	\$61.76	
Contoured to set on top of top.....(Ref. page 69) .....	\$35.92	
Special Contoured to set on top of top.....	\$60.30	

**NOTE: Square edge end splashes do not come attached to tops**

Rolled end splash attached to top .....	\$128.68	
L-shaped square edge end splash .....	(Ref 111) .....	\$152.20
L-shaped rolled end splash, attached to top, price includes notch..... (Ref 111) .....	\$260.28	
End cap, loose .....	\$4.80	
End cap, loose, cut to fit .....	\$20.82	
2" x 30" cap, loose.....	\$4.25	
2" x 48" cap, loose.....	\$6.76	
5" x 30" cap, loose.....	\$7.18	
Edge banding, loose, 2" wide, Priced per lineal foot .....	\$1.50	
<b>Non-stock rush orders are subject to a minimum charge .....</b>	<b>\$115.00</b>	



**180° Edge**



**"D" Edge**

**BACKER IS A .020 THICK SHEET OF LAMINATE WITH NO PATTERN SHEET.**

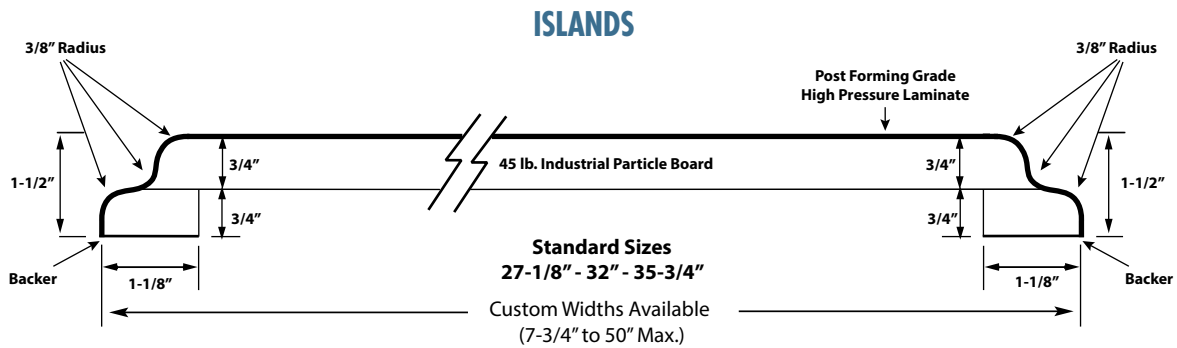
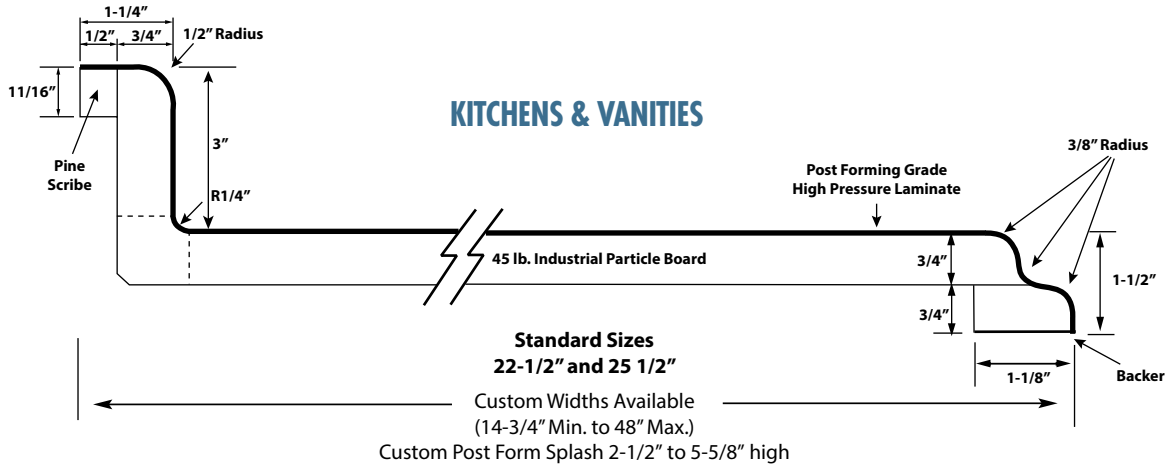
**NORMAL COLOR IS DARK BROWN.**

**NON-STOCK ORDERS MAY NEED ADDITIONAL LEAD TIME.**

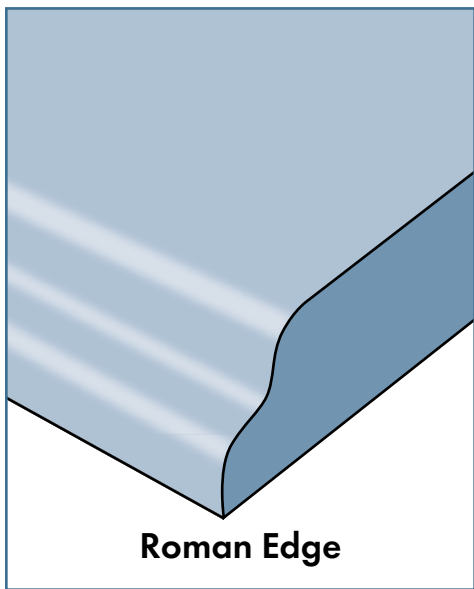




Not available with certain colors and finishes.

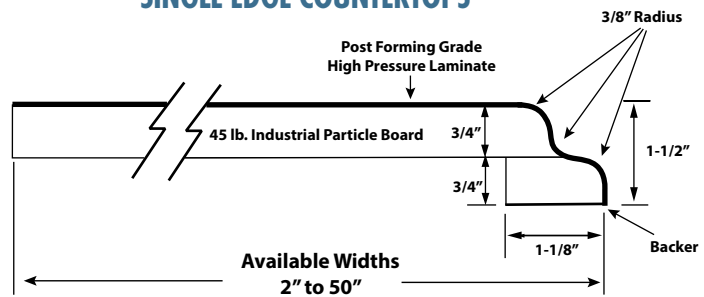


Backer is required for tops that exceed 36" in width when temperature and humidity levels are elevated. Orders requested without backer will void warranty coverage.

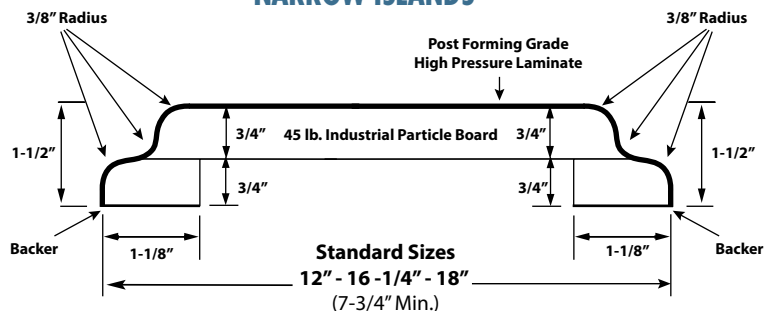


**Roman Edge**

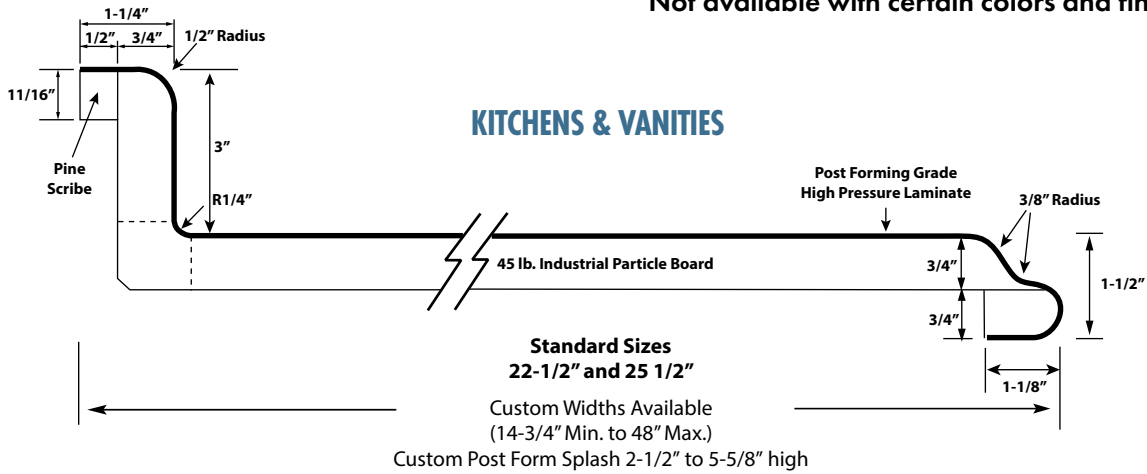
### SINGLE EDGE COUNTERTOPS



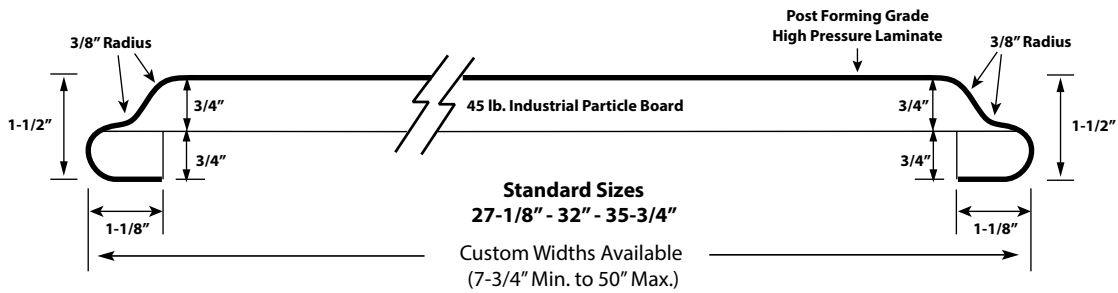
### NARROW ISLANDS



Not available with certain colors and finishes.

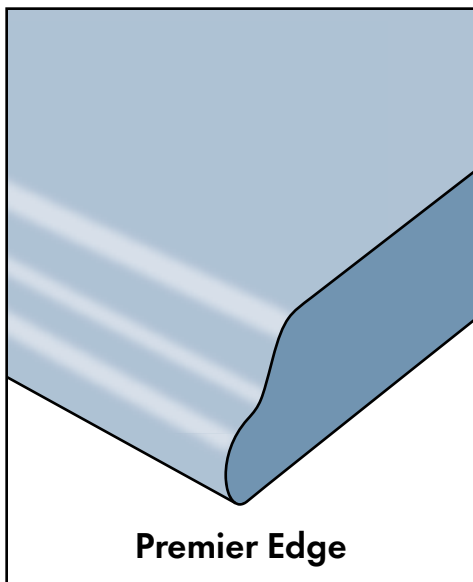
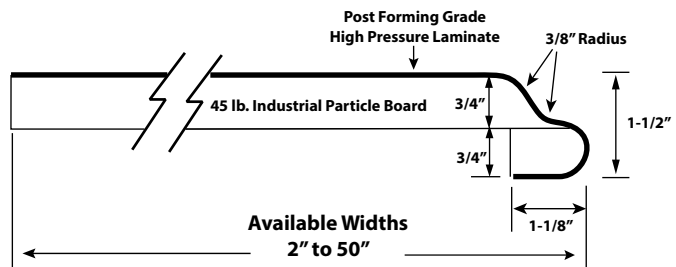


**ISLANDS**

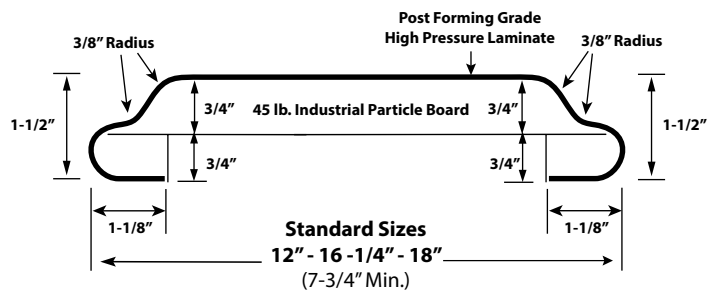


Backer is required for tops that exceed 36" in width when temperature and humidity levels are elevated.  
Orders requested without backer will void warranty coverage.

**SINGLE EDGE COUNTERTOPS**

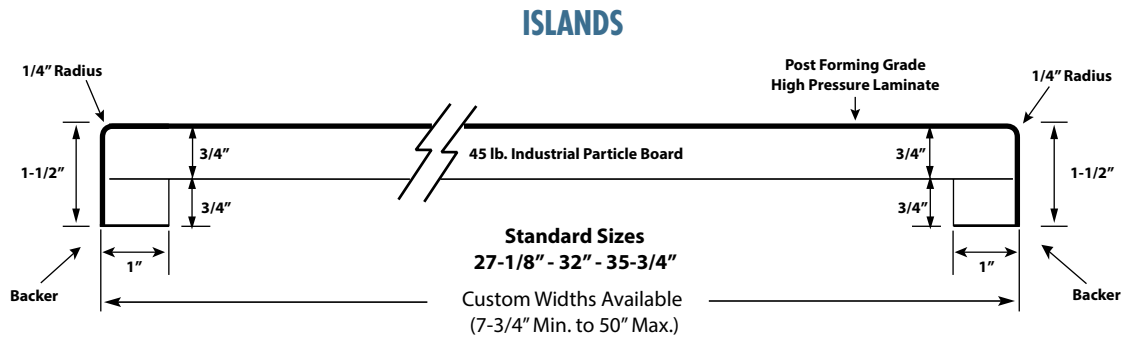
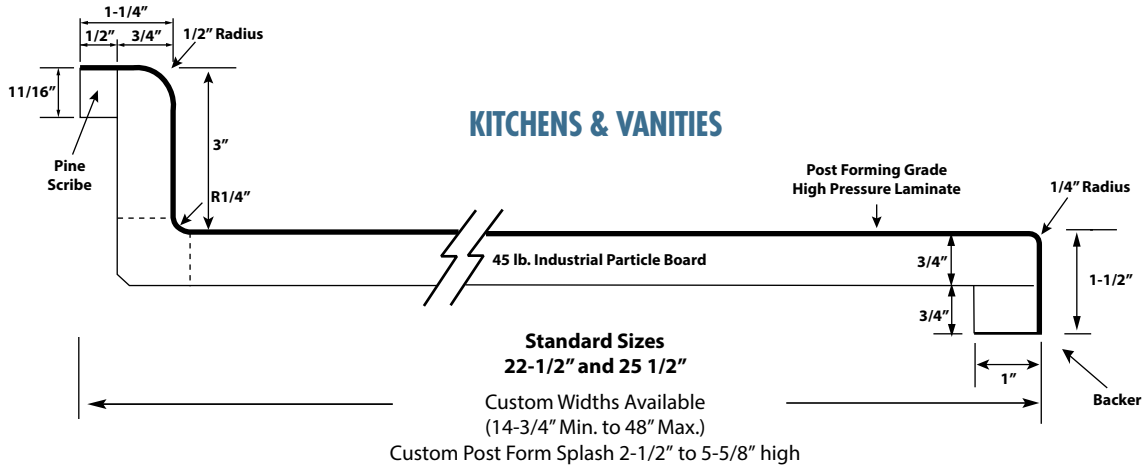


**NARROW ISLANDS**



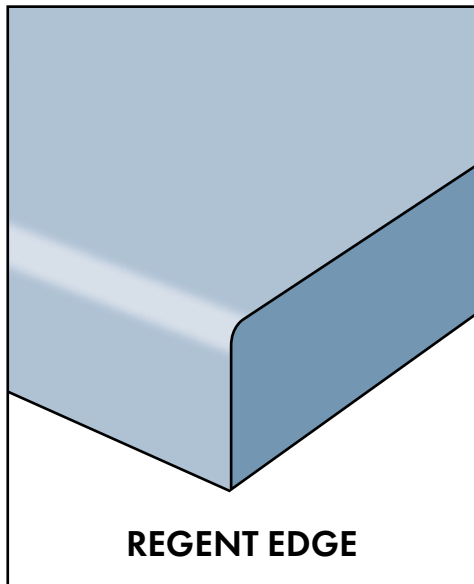
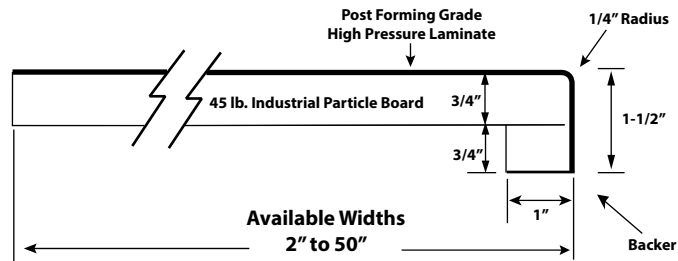


Not available with certain colors and finishes.



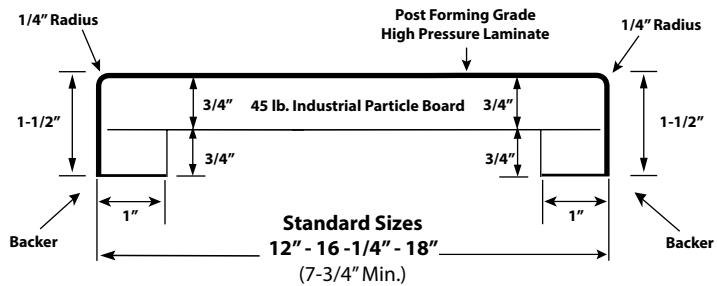
Backer is required for tops that exceed 36" in width when temperature and humidity levels are elevated. Orders requested without backer will void warranty coverage.

## SINGLE EDGE COUNTERTOPS



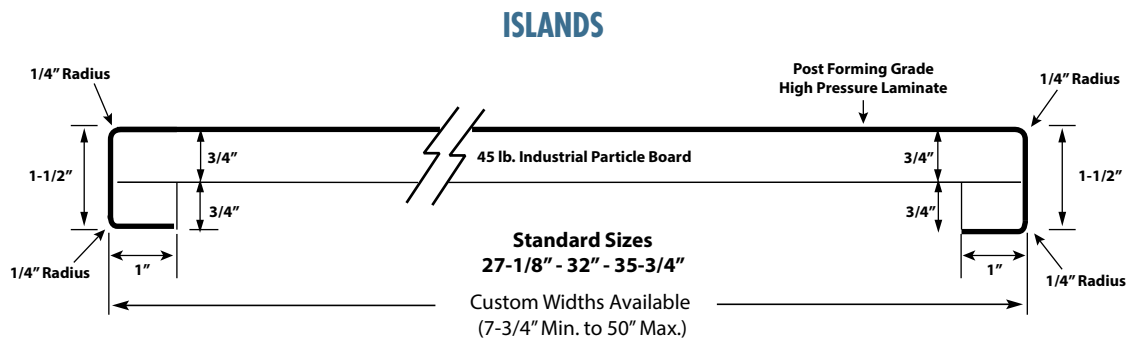
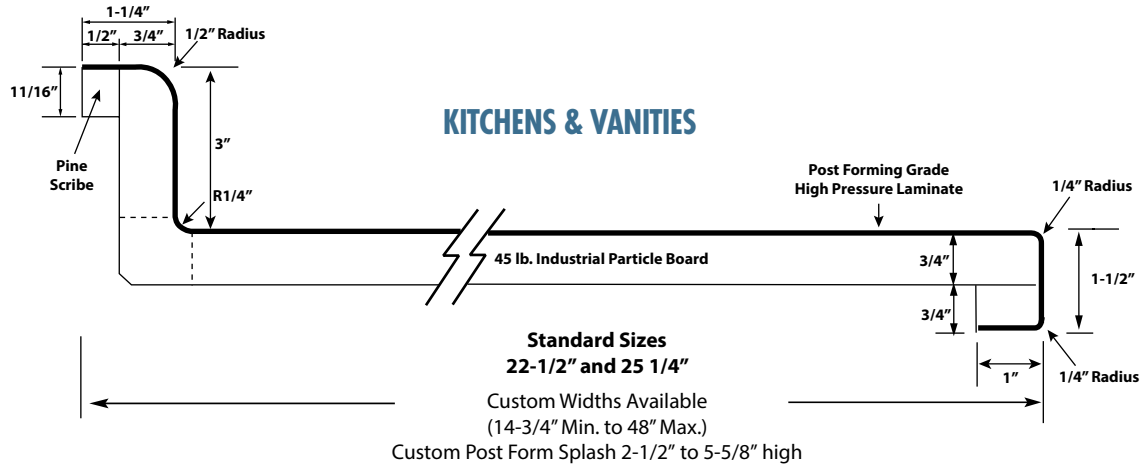
**REGENT EDGE**

## NARROW ISLANDS

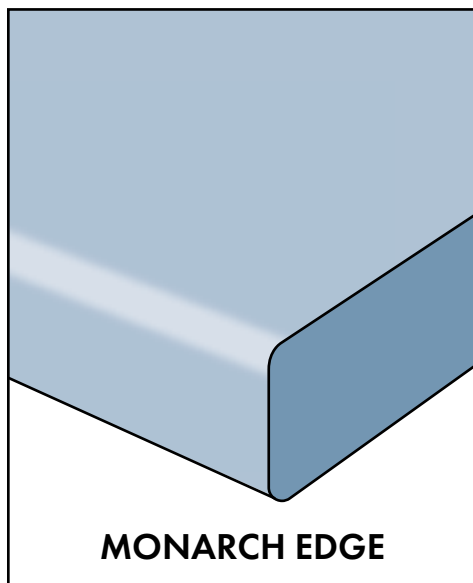




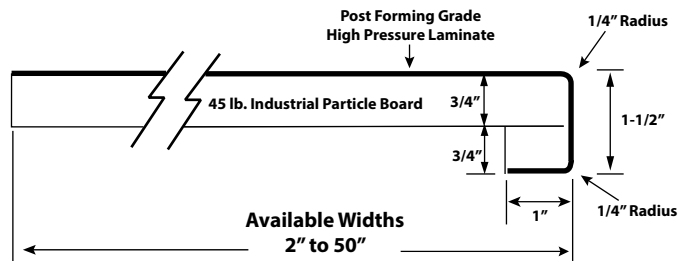
Not available with certain colors and finishes.



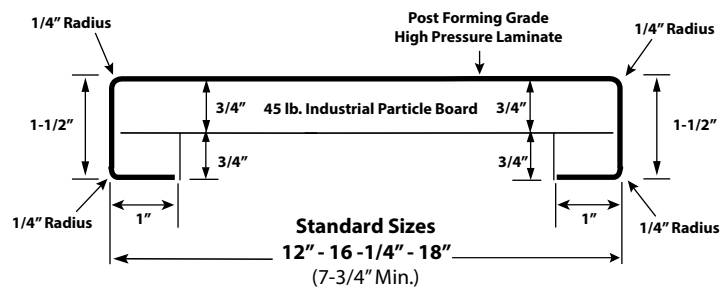
Backer is required for tops that exceed 36" in width when temperature and humidity levels are elevated.  
Orders requested without backer will void warranty coverage.



## SINGLE EDGE COUNTERTOPS



## NARROW ISLANDS





Not available with certain colors and finishes.

## ROMAN/PREMIER/REGENT/MONARCH EDGE COUNTER TOPS

(3" High Splash)

All kitchen and vanity tops have Specialty Edge on front only

(PRICES ARE PER LN. FT.)

	GROUP 0	GROUP 1	GROUP 2	GROUP 3	GROUP 4
Kit. Tops, 25-1/2" Deep	\$31.82	\$33.42	\$36.22	\$38.42	\$44.66
Kit. Tops, 25-1/4" Deep (Monarch)	\$31.82	\$33.42	\$36.22	\$38.42	\$44.66
Van. Tops, 22-1/2" Deep	\$31.82	\$33.42	\$36.22	\$38.42	\$44.66
27-1/8" Island Tops	\$38.54	\$40.14	\$42.94	\$45.14	\$51.38
32" Island Tops	\$41.68	\$43.28	\$46.08	\$48.28	\$54.52
35-3/4" Island Tops	\$41.68	\$43.28	\$46.08	\$48.28	\$54.52

## SINGLE EDGE

	GROUP 0	GROUP 1	GROUP 2	GROUP 3	GROUP 4
Up to 26" Deep	\$31.82	\$33.42	\$36.22	\$38.42	\$44.66
26-1/8" to 34-3/4" Deep	\$41.68	\$43.28	\$46.08	\$48.28	\$54.52
34-7/8" to 44" Deep*	\$55.42	\$57.02	\$59.82	\$62.02	\$68.26
44-1/8" to 49" Deep*	\$63.64	\$66.84	\$72.44	\$76.84	\$89.32

## MITERS

22-1/2 or 45 degree std. miters.....(Ref 103, 106, 108, 110).....	(priced per pair)	\$31.88
Spliced / 90 Degree Miters.....		\$90.00
Special degree miters.....(Ref 104, 105, 109).....		\$90.00
Dog leg miters.....(Ref 107).....		\$90.00
T-Splice miters.....(Ref 114).....		\$141.44
Z-Miters.....(Ref 104Z, 109Z).....		\$244.20
Miter Splice Assembled (Tops over 144" to 157").....(Ref 103).....		\$71.00
If Spline in miter.....(Ref 101, 102).....ADD.....		\$25.94

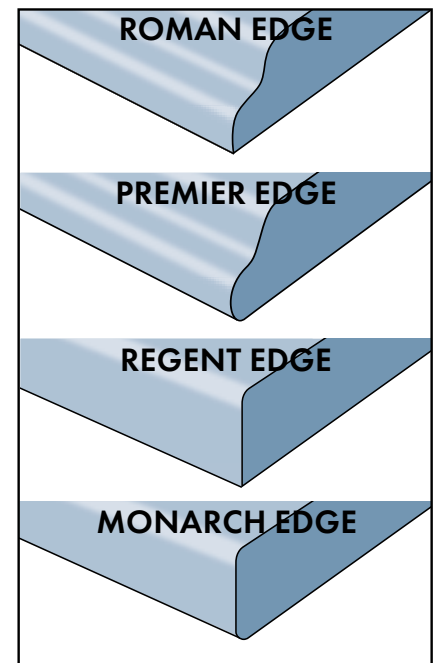
**Note: Remember to add for nose caps when mitering islands to tops with a backsplash.....\$20.82**

## ADDITIONAL CHARGES

	(per linear foot)
Poly Applied to Counter Tops.....	\$1.70
3/4" Scribe on backsplash.....	\$7.00
Labor ONLY for screwed on backsplash.....	\$8.20
Padding Strips Applied to Counter Tops.....	\$3.84
If Square back splash.....ADD.....	\$6.44
Sink Cutout, Specify HOLE Size, or Template # from page 71.....	\$32.00
Custom Sink Cutout (any sink we have to make a template for).....	\$105.82
Tops w/ Backer	
Up to 30" Deep.....	\$6.35
30-1/8" - 45".....	\$8.50
For Tops over 45" deep.....	\$11.15
Add 3/4" filler to any top.....(PER SQ FT).....	\$5.50

**Non-stock rush orders are subject to a minimum charge..... \$115.00**

\* Backer is required for tops that exceed 36" in width when temperature and humidity levels are elevated. Orders requested without backer will void warranty coverage.



Not available with certain colors and finishes.

## SPECIAL DEPTH COUNTER TOPS

All kitchen and vanity tops have Specialty Edge on front only

(PRICES ARE PER LN. FT.)	GROUP 0	GROUP 1	GROUP 2	GROUP 3	GROUP 4
<b>SPECIAL DEPTH ROMAN/PREMIER/REGENT/MONARCH EDGE</b>					
25" deep w/ 4" splash	\$31.82	\$33.42	\$36.22	\$38.42	\$44.66
25-1/2" deep w/ 4" splash	\$39.54	\$41.14	\$43.94	\$46.14	\$52.38
25" deep w/ 4" splash (Monarch)	\$39.54	\$41.14	\$43.94	\$46.14	\$52.38
25-1/2" deep w/ 3" splash (Monarch & Premier)	\$39.54	\$41.14	\$43.94	\$46.14	\$52.38
<b>SPECIAL DEPTH &amp;/OR SPLASH HEIGHT (MAX. 5-5/8" HIGH BACKSPLASH)</b>					
~Overall top depth plus splash height~					
Equal to or less than 28-1/2"	\$41.82	\$43.42	\$46.22	\$48.42	\$54.66
28 -5/8" up to 37"*	\$53.02	\$54.62	\$57.42	\$59.62	\$65.86
Greater than 37-1/8" up to 51"*	\$57.42	\$59.02	\$61.82	\$64.02	\$70.26
<b>SPECIAL DEPTH W/SCREWED ON SPLASH</b>					
~Overall top depth plus splash height~					
Equal to or less than 27-3/8"	\$50.26	\$51.86	\$54.66	\$56.86	\$63.10
27-1/2" up to 36"*	\$59.88	\$61.48	\$64.28	\$66.48	\$72.72
36-1/8" up to 45-1/4"*	\$63.62	\$65.22	\$68.02	\$70.22	\$76.46
45-3/8" up to 50-1/4"*	\$71.84	\$75.04	\$80.64	\$85.04	\$97.52
<b>SPECIAL DEPTH ISLANDS</b>					
12" Wide Island	\$31.82	\$33.42	\$36.22	\$38.42	\$44.66
16-1/4" AND 18" Islands	\$31.82	\$33.42	\$36.22	\$38.42	\$44.66
<b>OTHER SPECIAL DEPTH ISLANDS</b>					
7-3/4" to 27" Wide	\$42.06	\$43.66	\$46.46	\$48.66	\$54.90
27-1/4" to 35-5/8" Wide	\$51.68	\$53.28	\$56.08	\$58.28	\$64.52
35-7/8" to 45" Wide*	\$55.42	\$57.02	\$59.82	\$62.02	\$68.26
45-1/8" to 50" Wide*	\$63.64	\$66.84	\$72.44	\$76.84	\$89.32
* Backer is required for tops that exceed 36" in width when temperature and humidity levels are elevated. Orders requested without backer will void warranty coverage.					
<b>ROLLED BACKSPLASH WITH SCRIBE</b>					
(loose) up to 7" high	\$12.64	\$13.04	\$13.74	\$14.29	\$15.85
<b>3/4" SQUARE BACKSPLASH WITH NO SCRIBE</b>					
(loose) up to 6" high	\$10.30	\$10.70	\$11.40	\$11.95	\$13.51

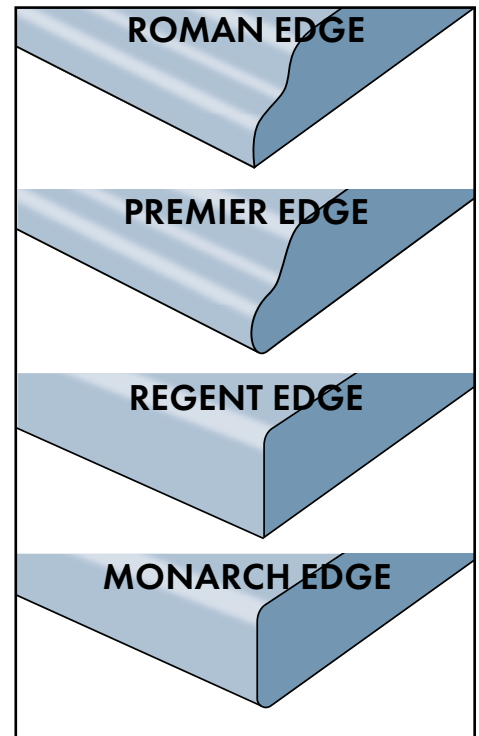


LAMINATE FINISHED ENDS

Table listing various laminate finished ends such as Straight end cap, Eased corners, Radiused corners, etc., with their respective prices.

NOTE: Square edge end splashes do not come attached to tops

Table listing additional laminate finished ends like Rolled end splash, L-shaped square edge end splash, etc., with prices.

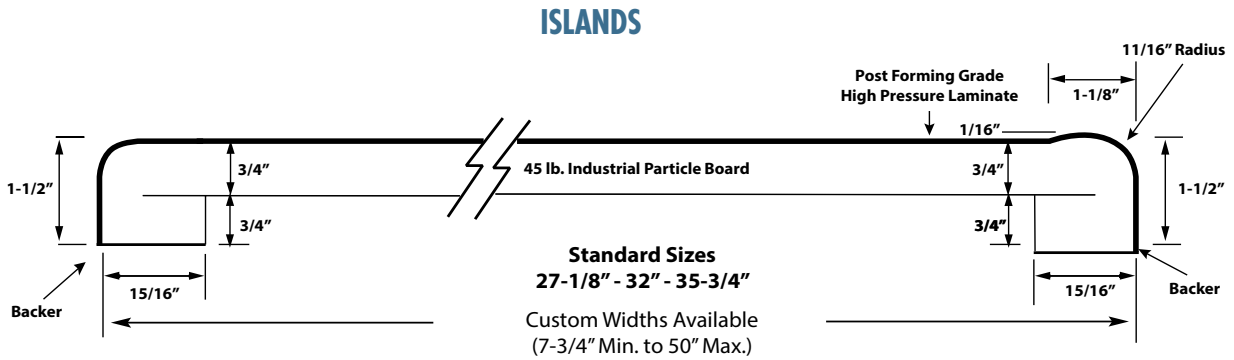
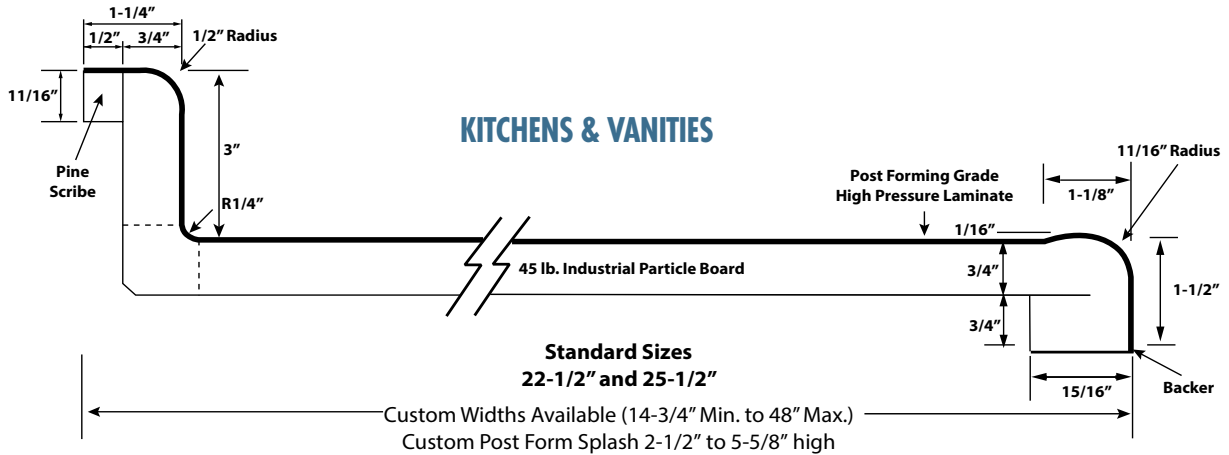


BACKER IS A .020 THICK SHEET OF LAMINATE WITH NO PATTERN SHEET.

NORMAL COLOR IS DARK BROWN.

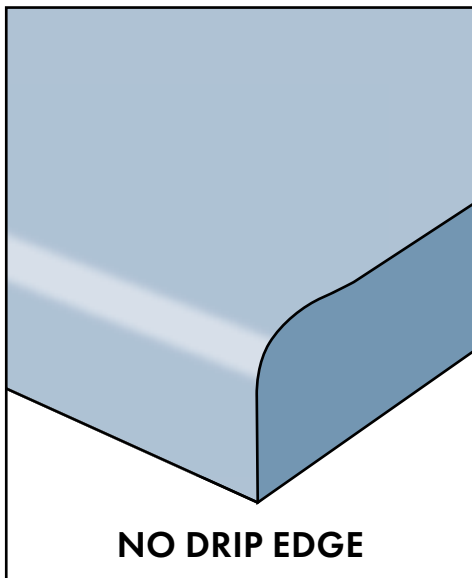
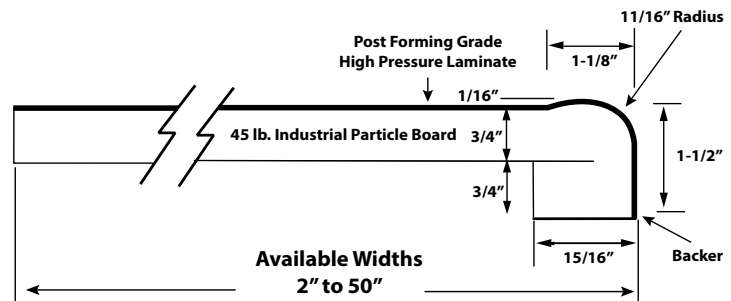
NON-STOCK ORDERS MAY NEED ADDITIONAL LEAD TIME.



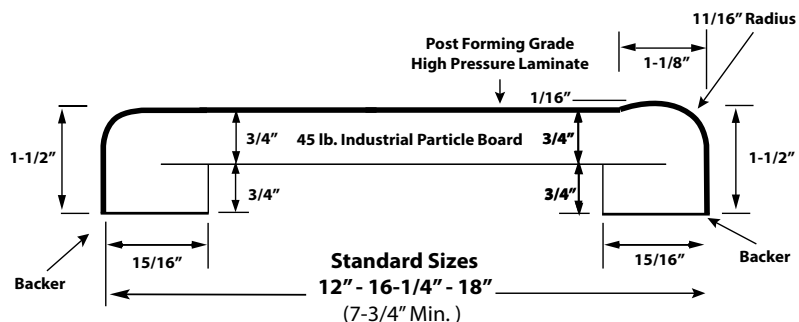


Backer is required for tops that exceed 36" in width when temperature and humidity levels are elevated.  
Orders requested without backer will void warranty coverage.

### SINGLE EDGE COUNTERTOPS



### NARROW ISLANDS



## NO DRIP EDGE COUNTER TOPS

(3" High Splash)

All island tops have NO DRIP Edge on one side only

(PRICES ARE PER LN. FT.)

	GROUP 0	GROUP 1	GROUP 2	GROUP 3	GROUP 4
Kit. Tops, 25-1/2" Deep	\$26.32	\$27.92	\$30.72	\$32.92	\$39.16
Van. Tops, 22-1/2" Deep	\$26.32	\$27.92	\$30.72	\$32.92	\$39.16
27-1/8" Island Tops	\$26.32	\$27.92	\$30.72	\$32.92	\$39.16
32" Island Tops	\$36.18	\$37.78	\$40.58	\$42.78	\$49.02
35-3/4" Island Tops	\$36.18	\$37.78	\$40.58	\$42.78	\$49.02

## SINGLE EDGE

	GROUP 0	GROUP 1	GROUP 2	GROUP 3	GROUP 4
Up to 26" Deep	\$26.32	\$27.92	\$30.72	\$32.92	\$39.16
26-1/8" to 34-3/4" Deep	\$36.18	\$37.78	\$40.58	\$42.78	\$49.02
34-7/8" to 44" Deep*	\$49.92	\$51.52	\$54.32	\$56.52	\$62.76
44-1/8" to 49" Deep*	\$58.14	\$61.34	\$66.94	\$71.34	\$83.82

## MITERS

	(Ref)	(priced per pair)
22-1/2 or 45 degree std. miters.....	(Ref 103, 106, 108, 110)	\$31.88
Spliced / 90 Degree Miters.....		\$90.00
Special degree miters.....	(Ref 104, 105, 109)	\$90.00
Dog leg miters.....	(Ref 107)	\$90.00
T-Splice miters.....	(Ref 114)	\$141.44
Z-Miters.....	(Ref 104Z, 109Z)	\$244.20
Miter Splice Assembled (Tops over 144" to 157").....	(Ref 103)	\$71.00
If Spline in miter.....	(Ref 101, 102)	ADD \$25.94

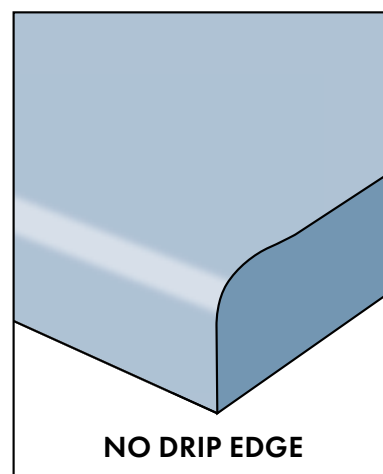
**Note: Remember to add for nose caps when mitering islands to tops with a backsplash.....\$20.82**

## ADDITIONAL CHARGES

	(per linear foot)
Poly Applied to Counter Tops.....	\$1.70
3/4" Scribe on backsplash.....	\$7.00
Labor ONLY for screwed on backsplash.....	\$8.20
Padding Strips Applied to Counter Tops.....	\$3.84
If Square back splash.....	ADD \$6.44
Sink Cutout, Specify HOLE Size, or Template # from page 71.....	\$32.00
Custom Sink Cutout.....(any sink we have to make a template for).....	\$105.82
Tops w/ Backer	
Up to 30" Deep.....	\$6.35
30-1/8" - 45".....	\$8.50
For Tops over 45" deep.....	\$11.15
Add 3/4" filler to any top.....(PER SQ FT).....	\$5.50

**Non-stock rush orders are subject to a minimum charge..... \$115.00**

\* Backer is required for tops that exceed 36" in width when temperature and humidity levels are elevated. Orders requested without backer will void warranty coverage.





### SPECIAL NO DRIP EDGE COUNTER TOPS

(PRICES ARE PER LN. FT.)

	GROUP 0	GROUP 1	GROUP 2	GROUP 3	GROUP 4
<b>SPECIAL NO DRIP EDGE</b>					
25" deep w/ 4" splash	\$26.32	\$27.92	\$30.72	\$32.92	\$39.16
25-1/2" deep w/ 4" splash	\$34.28	\$35.88	\$38.68	\$40.88	\$47.12

#### SPECIAL DEPTH &/OR SPLASH HEIGHT (MAX. 5-5/8" HIGH B.S.)

~Overall top depth plus splash height~

Equal to or less than 28-1/2"	\$36.32	\$37.92	\$40.72	\$42.92	\$49.16
28 -5/8" up to 37"*	\$47.52	\$49.12	\$51.92	\$54.12	\$60.36
Greater than 37-1/8" up to 51"*	\$51.92	\$53.52	\$56.32	\$58.52	\$64.76

#### SPECIAL DEPTH W / SCREWED ON SPLASH

~Overall top depth plus splash height~

Equal to or less than 27-3/8"	\$44.76	\$46.36	\$49.16	\$51.36	\$57.60
27-1/2" up to 36"*	\$54.38	\$55.98	\$58.78	\$60.98	\$67.22
36-1/8" up to 45-1/4"*	\$58.12	\$59.72	\$62.52	\$64.72	\$70.96
45-3/8" up to 50-1/4"*	\$66.34	\$69.54	\$75.14	\$79.54	\$92.02

#### SPECIAL DEPTH POSTFORMED ISLANDS

12" Wide Island	\$26.32	\$27.92	\$30.72	\$32.92	\$39.16
16-1/4" AND 18" Islands	\$26.32	\$27.92	\$30.72	\$32.92	\$39.16

#### OTHER SPECIAL DEPTH ISLANDS

7-3/4" to 27" Wide	\$36.56	\$38.16	\$40.96	\$43.16	\$49.40
27-1/4" to 35-5/8" Wide	\$46.18	\$47.78	\$50.58	\$52.78	\$59.02
35-7/8" to 45" Wide*	\$49.92	\$51.52	\$54.32	\$56.52	\$62.76
45-1/8" to 50" Wide*	\$58.14	\$61.34	\$66.94	\$71.34	\$83.82

\* Backer is required for tops that exceed 36" in width when temperature and humidity levels are elevated. Orders requested without backer will void warranty coverage.

#### ROLLED BACKSPLASH WITH SCRIBE

(loose) up to 7" high	\$12.64	\$13.04	\$13.74	\$14.29	\$15.85
-----------------------	---------	---------	---------	---------	---------

#### 3/4" SQUARE BACKSPLASH WITH NO SCRIBE

(loose) up to 6" high	\$10.30	\$10.70	\$11.40	\$11.95	\$13.51
-----------------------	---------	---------	---------	---------	---------

### NOTES

---



---



---

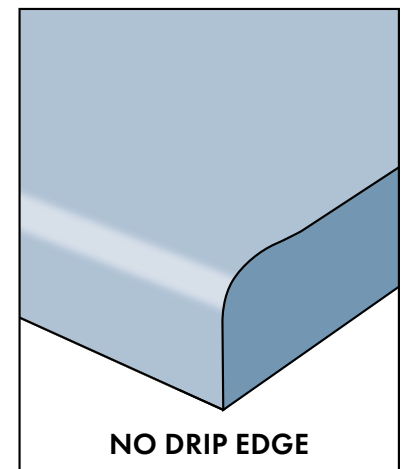


**LAMINATE FINISHED ENDS**

Straight end cap, applied .....	\$20.82
Eased corners & radiused corners up to 4" radius, priced per corner, including cap.....(Ref 133,134) .....	\$32.02
Radiused corners over 4", priced per corner, including cap.....(Ref 134) .....	\$42.60
Radius end of island top.....(Ref 135) .....	\$84.56
Nose cap.....(Ref 136) .....	\$20.82
1 angle cut .....	(Ref 128) .....\$18.38
1 angle cut & capped.....(Ref 128).....	\$39.20
Double angle cut & capped	
1 or 2 piece cap.....(Ref 129) .....	\$78.40
Banjo cut & cap, with or without rounded corners.....(Ref 130) .....	\$143.78
Ease outside point when 2 island tops are mitered together	
Up to 4" radius .....	(Ref 108) .....\$111.90
Over 4" radius .....	(Ref 108) .....\$122.48
Square edge end splash, finished or with loose edging strips .....	(Ref 131) .....\$28.10
Square edge end splash with radiused top front corner .....	\$44.12
Island end splash (finished both ends).....	\$39.34
Contoured Splash to set on top of top.....(Ref. page 69) .....	\$35.92
Special Contoured to set on top of top.....	\$60.30

**NOTE: (Square edge end splashes do not come attached to tops)**

Rolled end splash attached to top .....	\$128.68
L-shaped square edge end splash.....(Ref 111).....	\$152.20
L-shaped rolled end splash, attached to top, price includes notch.....(Ref 111) .....	\$260.28
End cap, loose .....	\$4.80
End cap, loose, cut to fit.....	\$20.82
2" x 30" cap, loose.....	\$4.25
2" x 48" cap, loose.....	\$6.76
5" x 30" cap, loose.....	\$7.18
Edge banding, loose, 2" wide, Priced per lineal foot .....	\$1.50
<b>Non-stock rush orders are subject to a minimum charge .....</b>	<b>\$115.00</b>



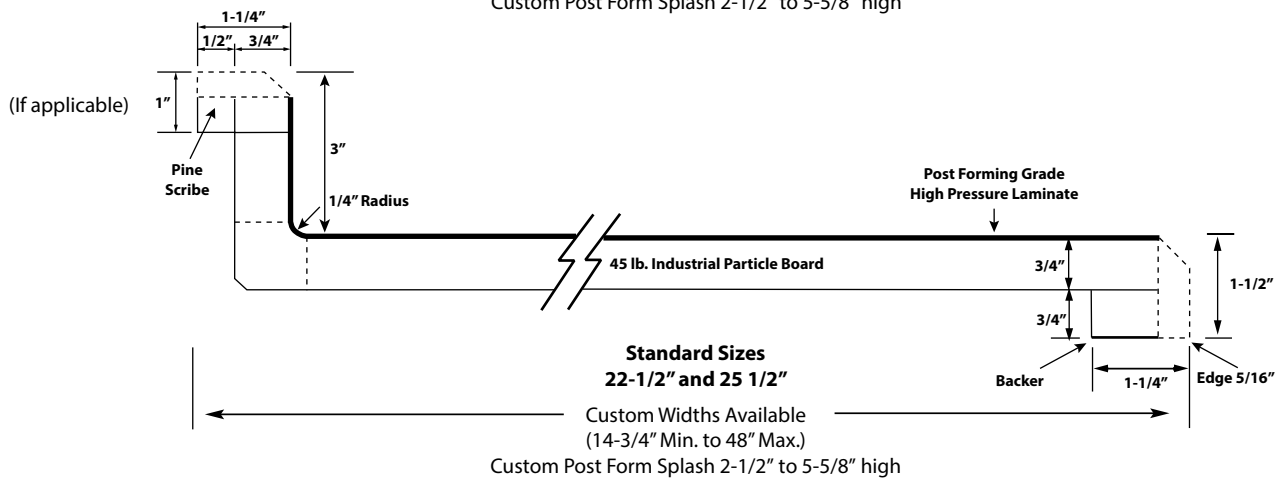
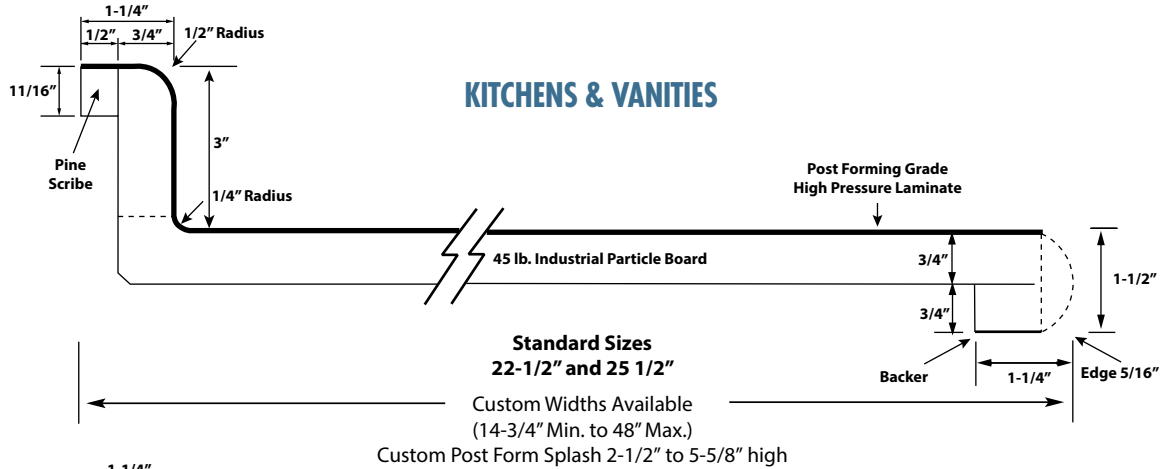
**BACKER IS A .020 THICK SHEET OF LAMINATE WITH NO PATTERN SHEET.**

**NORMAL COLOR IS DARK BROWN.**

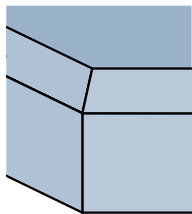
**NON-STOCK ORDERS MAY NEED ADDITIONAL LEAD TIME.**



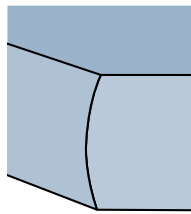
KITCHENS & VANITIES



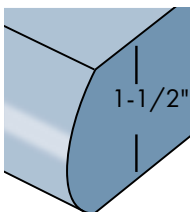
APPLIED EDGES



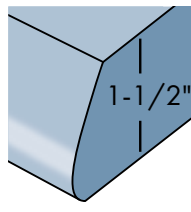
Bevel



Crescent



Ideal Edge Bullnose  
(Formica Colors Only)

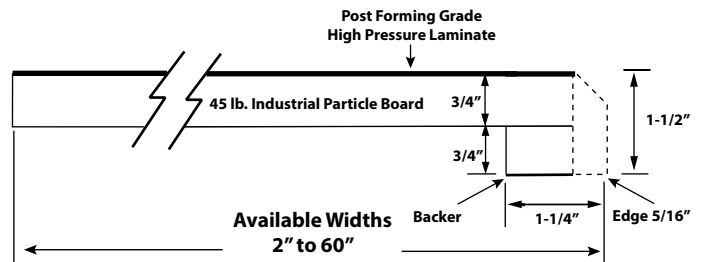


Ideal Edge Ogee  
(Formica Colors Only)

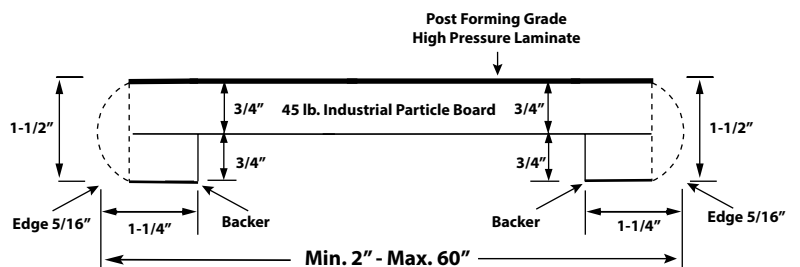
Backer is required for tops that exceed 36" in width when temperature and humidity levels are elevated.

Orders requested without backer will void warranty coverage.

SINGLE EDGE COUNTERTOPS



NARROW ISLANDS



**APPLIED EDGE COUNTERTOPS** (Extend Lead Times)

(PRICES ARE PER LN. FT.)	GROUP 0	GROUP 1	GROUP 2	GROUP 3	GROUP 4
<b>APPLIED FRONT (3" HIGH ROLLED SPLASH)</b>					
Kit. Tops, 25-1/2" Deep	\$48.42	\$50.02	\$52.82	\$55.02	\$61.26
Van. Tops, 22-1/2" Deep	\$48.42	\$50.02	\$52.82	\$55.02	\$61.26

**APPLIED EDGE ON BACK SPLASH**

(Laminate Bevel Only).....	ADD				\$15.48
----------------------------	-----	--	--	--	---------

**ISLAND TOPS (APPLIED EDGE 2 SIDES)**

(shortest dimension of top, always equals depth)

Up to 27" Deep	\$60.02	\$61.62	\$64.42	\$66.62	\$72.86
27-1/8" to 36" Deep*	\$67.68	\$69.28	\$72.08	\$74.28	\$80.52
36-1/8" to 48" Deep*	\$72.76	\$74.36	\$77.16	\$79.36	\$85.60
48-1/8" to 60" Deep*	\$81.72	\$84.92	\$90.52	\$94.92	\$107.40

\* Backer is required for tops that exceed 36" in width when temperature and humidity levels are elevated. Orders requested without backer will void warranty coverage.

**FLAT TOPS (APPLIED EDGE 1 SIDE)**

Up to 27" Deep	\$44.82	\$46.42	\$49.22	\$51.42	\$57.66
27-1/8" to 36" Deep*	\$52.88	\$54.48	\$57.28	\$59.48	\$65.72
36-1/8" to 48" Deep*	\$57.78	\$59.38	\$62.18	\$64.38	\$70.62
48-1/8" to 60" Deep*	\$66.65	\$69.85	\$75.45	\$79.85	\$92.33

**APPLIED EDGE BACKSPLASH\***

(Loose) Up to 7"	\$28.12	\$28.52	\$29.22	\$29.77	\$31.33
------------------	---------	---------	---------	---------	---------

**3/4" SQUARE BACKSPLASH WITH NO SCRIBE**

(loose) up to 6" high	\$10.30	\$10.70	\$11.40	\$11.95	\$13.51
-----------------------	---------	---------	---------	---------	---------

**MITERS**

(priced per pair)

22-1/2 or 45 degree std. miters.....(Ref 103, 106, 108, 110).....	\$31.88
Spliced / 90 Degree Miters.....	\$90.00
Special degree miters.....(Ref 104, 105, 109).....	\$90.00
Dog leg miters.....(Ref 107).....	\$90.00
T-Splice miters.....(Ref 114).....	\$141.44
Miter Splice Assembled (Tops over 144" to 157").....(Ref 103).....	\$71.00
If Spline in miter.....(Ref 101, 102).....ADD.....	\$25.94

**NOTE: Remember to add for nose caps when mitering islands to tops with a backsplash.....\$20.82**

**APPLIED EDGES AVAILABLE**

(per linear foot)

Laminate Bevel**.....	same as above
Crescent Edge.....	same as above
Ideal Edge.....Bullnose or Ogee *** 1-1/4" or 1-1/2" thick*** (Formica colors only).....add per edge.....	\$2.00

\*\* Can be applied to backsplash



### SPECIAL APPLIED EDGE COUNTERTOPS (Extend Lead Times)

(PRICES ARE PER LN. FT.)

	GROUP 0	GROUP 1	GROUP 2	GROUP 3	GROUP 4
--	---------	---------	---------	---------	---------

#### SPECIAL DEPTH &/OR SPLASH HEIGHT (WITH ROLLED SPLASH MAX. 5-5/8" HIGH BACKSPLASH)

~Overall top depth plus splash height~

Equal to or less than 28-1/2"	\$58.47	\$60.07	\$62.87	\$65.07	\$71.31
28 -5/8" up to 37"	\$66.38	\$67.98	\$70.78	\$72.98	\$79.22
Greater than 37-1/8" up to 51"	\$72.00	\$72.00	\$73.60	\$76.40	\$78.60

#### APPLIED FRONT W/ SCREWED ON ROLLED SPLASH

~Overall top depth plus splash height~

Equal to or less than 27-1/4"	\$65.66	\$67.26	\$70.06	\$72.26	\$78.50
27-3/8" up to 36"	\$73.72	\$75.32	\$78.12	\$80.32	\$86.56
36-1/8" up to 48-1/4"	\$78.62	\$80.22	\$83.02	\$85.22	\$91.46
48-3/8" up to 60-1/4"	\$87.49	\$89.09	\$91.89	\$94.09	\$100.33

#### APPLIED EDGE ON BACK SPLASH

(Laminate Bevel Only) .....	ADD .....	\$15.48
-----------------------------	-----------	---------

### APPLIED EDGES AVAILABLE

Laminate Bevel* .....	(per linear foot)	same as above
Crescent Edge .....		same as above
Ideal Edge .....	Bullnose or Ogee, 1-1/2" thick (Formica colors only).....	add per edge..... \$2.00

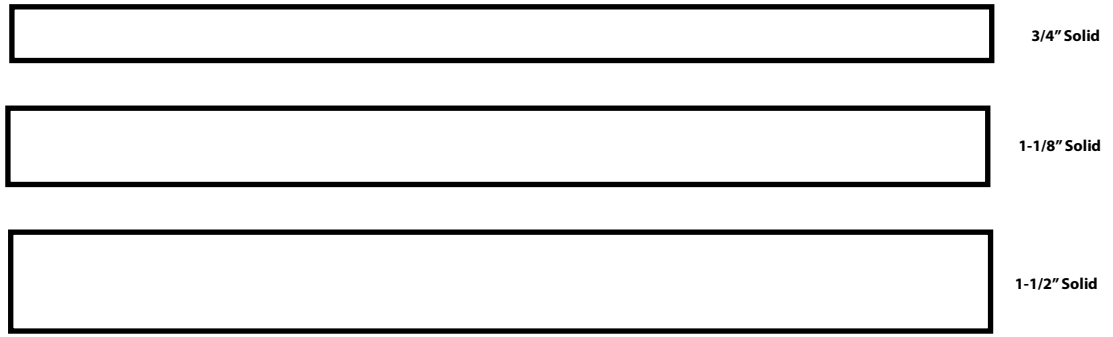
\* Can be applied to backsplash

### ADDITIONAL CHARGES

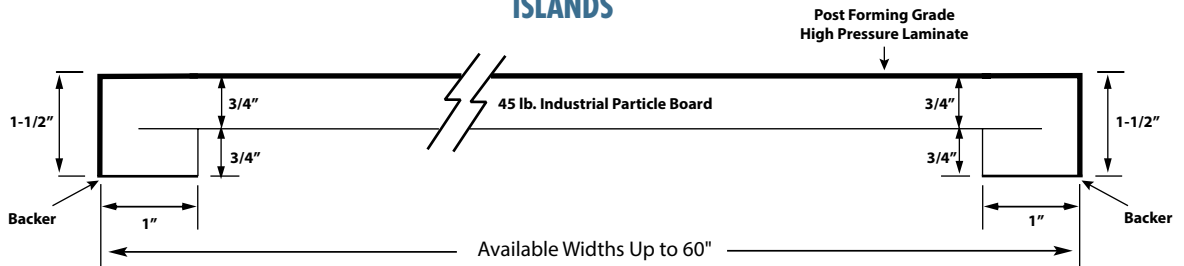
Poly Applied to Counter Tops .....	(per linear foot)	\$1.70
3/4" Scribe on backsplash.....		\$7.00
Labor ONLY for screwed on back splash.....		\$8.20
Padding Strips Applied to Counter Tops .....		\$3.84
Sink Cutout, Specify HOLE Size, or Template # from page 71 .....		\$32.00
Custom Sink Cutout (any sink we have to make a template for).....		\$105.82
Tops w/ Backer		
Up to 30" Deep .....		\$6.35
30-1/8" - 45" Deep .....		\$8.50
Over 45" deep .....		\$11.15
Add 3/4" filler to any top.....	(PER SQ FT)	\$5.50
Non-stock rush orders are subject to a minimum charge .....		\$115.00





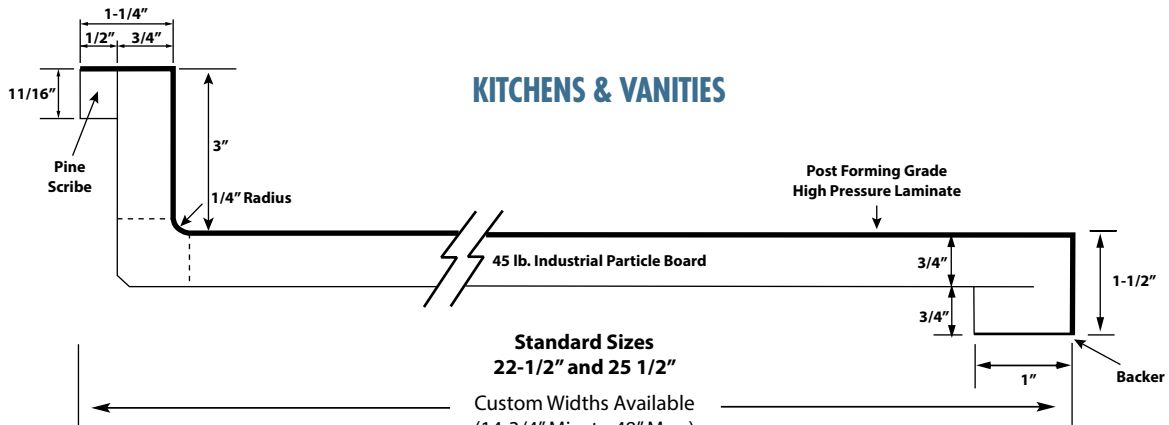


### ISLANDS

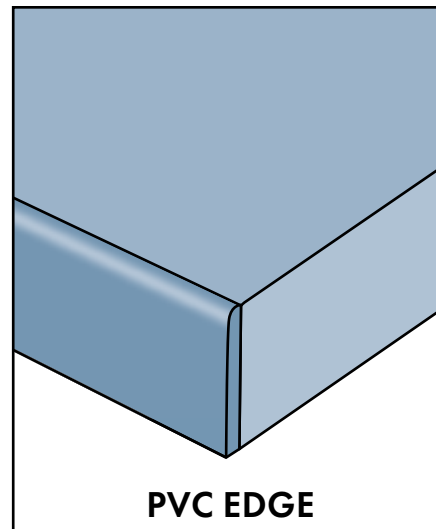
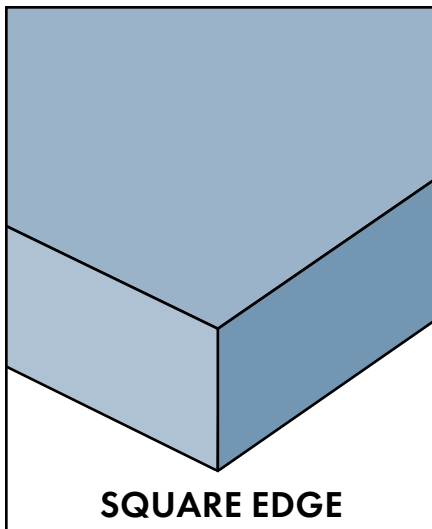


Backer is required for tops that exceed 36" in width when temperature and humidity levels are elevated.  
Orders requested without backer will void warranty coverage.

### KITCHENS & VANITIES



Standard Sizes  
22-1/2" and 25 1/2"  
Custom Widths Available  
(14-3/4" Min. to 48" Max.)  
Custom Post Form Splash 2-1/2" to 5-5/8" high



# SELF EDGE (SQ) W/LAMINATE OR PVC

## SELF EDGE W/ BACKSPLASH - LAMINATE OR PVC EDGE (Extend Lead Times)

(PRICES ARE PER LN. FT.)

	GROUP 0	GROUP 1	GROUP 2	GROUP 3	GROUP 4
<b>KIT. TOPS (SQ. FRONT / SQUARE BACKSPLASH)</b>					
25-1/2" Deep w/ 3" Splash	\$37.15	\$38.75	\$41.55	\$43.75	\$49.99
25-1/2" Deep w/ 4" Splash	\$38.17	\$39.77	\$42.57	\$44.77	\$51.01
Van. Tops, 22-1/2" Deep	\$37.15	\$38.75	\$41.55	\$43.75	\$49.99

### SPECIAL DEPTH &/OR SPLASH HEIGHT (MAX. 5-5/8" HIGH B.S.)

~Overall top depth plus splash height~

Equal to or less than 28-1/2"	\$47.23	\$48.83	\$51.63	\$53.83	\$60.07
28 -5/8" up to 37"*	\$58.36	\$59.96	\$62.76	\$64.96	\$71.20
Greater than 37-1/8" up to 51"*	\$62.73	\$64.33	\$67.13	\$69.33	\$75.57

### SQUARE FRONT W/ SCREWED ON SPLASH

~Overall top depth plus splash height~

Equal to or less than 27-1/4"	\$45.45	\$47.05	\$49.85	\$52.05	\$58.29
27-3/8" up to 36"*	\$53.49	\$55.09	\$57.89	\$60.09	\$66.33
36-1/8" up to 48-1/4"*	\$60.30	\$61.90	\$64.70	\$66.90	\$73.14
48-3/8" up to 60-1/4"*	\$64.91	\$68.11	\$73.71	\$78.11	\$90.59

Rolled Splash .....	DEDUCT FROM ABOVE PRICING .....	\$6.44
PVC on Front Edge.....	ADD TO APPLY (Does not Include PVC Material).....	\$2.00
PVC on Splash .....	ADD TO APPLY (Does not Include PVC Material).....	\$2.00

### PVC Material

1-5/8" x 200' Roll	\$685.00
1-5/16" x 200' Roll	\$534.00
15/16" x 200' Roll	\$388.00

### Patterns

\$685.00
\$534.00
\$388.00

### Solids

\$421.00
\$318.00
\$243.00

### Woodgrains

\$502.00
\$383.00
\$302.00

OR Customer can supply PVC material. Flex PVC is **REQUIRED** for tops with any radius.

## PVC FINISHED ENDS

Straight PVC end cap, applied.....	\$31.60
Radiused corners (minimum 2"), priced per corner.....(Ref 134) .....	\$41.78
Radius end of island top.....(Ref 135).....	\$83.56
1 angle cut & capped (Does NOT Include End).....(Ref 128).....	\$49.98
Double angle cut & capped, 1 or 2 piece cap.....(Ref 129).....	\$68.36
Banjo cut & cap, with rounded corners.....(Ref 130).....	\$160.54

## LAMINATE FINISHED ENDS

Price out same as Standard Laminate Ends

\* Backer is required for tops that exceed 36" in width when temperature and humidity levels are elevated. Orders requested without backer will void warranty coverage.



**SELF EDGE W/LAMINATE OR PVC** (Extend Lead Times)

Laminate edge ..... as priced below  
 PVC edge ..... ADD TO APPLY (Does not Include PVC Material) ..... \$2.00

**PVC Material**

1-5/8" x 200' Roll  
 1-5/16" x 200' Roll  
 15/16" x 200' Roll

**Patterns**

\$685.00  
 \$534.00  
 \$388.00

**Solids**

\$421.00  
 \$318.00  
 \$243.00

**Woodgrains**

\$502.00  
 \$383.00  
 \$302.00

OR Customer can supply PVC material. Flex PVC is REQUIRED for tops with any radius.

**(PRICES ARE PER LN. FT.)**

**LAMINATE TOP ONLY, 3/4" CORE**

	GROUP 0	GROUP 1	GROUP 2	GROUP 3	GROUP 4
Up to 6" Deep	\$10.24	\$10.64	\$11.34	\$11.89	\$13.45
6-1/8" to 12" Deep	\$14.14	\$14.94	\$16.34	\$17.44	\$20.56
12-1/8" to 18" Deep	\$19.74	\$20.54	\$21.94	\$23.04	\$26.16
18-1/8" to 27" Deep	\$24.67	\$26.27	\$29.07	\$31.27	\$37.51
27-1/8" to 36" Deep*	\$32.76	\$34.36	\$37.16	\$39.36	\$45.60
36-1/8" to 48" Deep*	\$39.62	\$42.02	\$46.22	\$49.52	\$58.88
48-1/8" to 60" Deep*	\$44.27	\$47.47	\$53.07	\$57.47	\$69.95

**LAMINATE TOP & 1 EDGE, 3/4" CORE (WITH OR WITHOUT 3/4" BUILD DOWN)**

Up to 6" Deep	\$16.68	\$17.08	\$17.78	\$18.33	\$19.89
6-1/8" to 12" Deep	\$20.58	\$21.38	\$22.78	\$23.88	\$27.00
12-1/8" to 18" Deep	\$26.18	\$26.98	\$28.38	\$29.48	\$32.60
18-1/8" to 27" Deep	\$31.11	\$32.71	\$35.51	\$37.71	\$43.95
27-1/8" to 36" Deep*	\$39.20	\$40.80	\$43.60	\$45.80	\$52.04
36-1/8" to 48" Deep*	\$46.06	\$48.46	\$52.66	\$55.96	\$65.32
48-1/8" to 60" Deep*	\$50.71	\$53.91	\$59.51	\$63.91	\$76.39

**LAMINATE TOP & 2 EDGES, 3/4" CORE (WITH OR WITHOUT 3/4" BUILD DOWN)**

Up to 6" Deep	\$23.12	\$23.52	\$24.22	\$24.77	\$26.33
6-1/8" to 12" Deep	\$27.02	\$27.82	\$29.22	\$30.32	\$33.44
12-1/8" to 18" Deep	\$32.62	\$33.42	\$34.82	\$35.92	\$39.04
18-1/8" to 26" Deep	\$37.55	\$39.15	\$41.95	\$44.15	\$50.39
26-1/8" to 36" Deep*	\$45.64	\$47.24	\$50.04	\$52.24	\$58.48
36-1/8" to 48" Deep*	\$52.50	\$54.90	\$59.10	\$62.40	\$71.76
48-1/8" to 60" Deep*	\$57.15	\$60.35	\$65.95	\$70.35	\$82.83

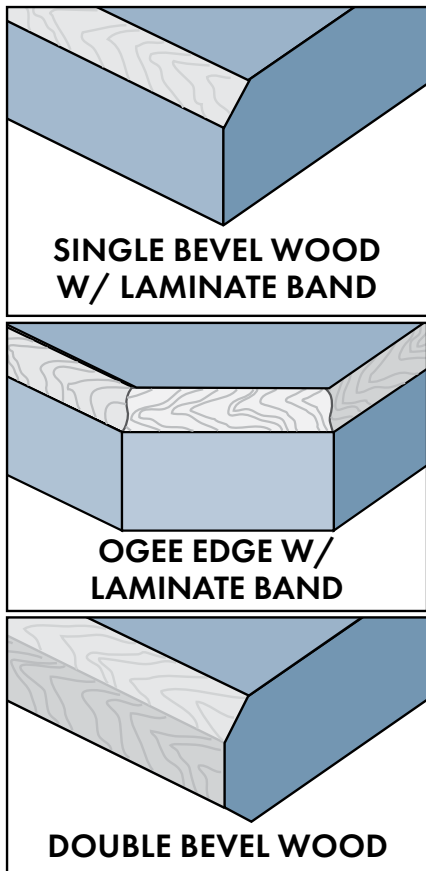
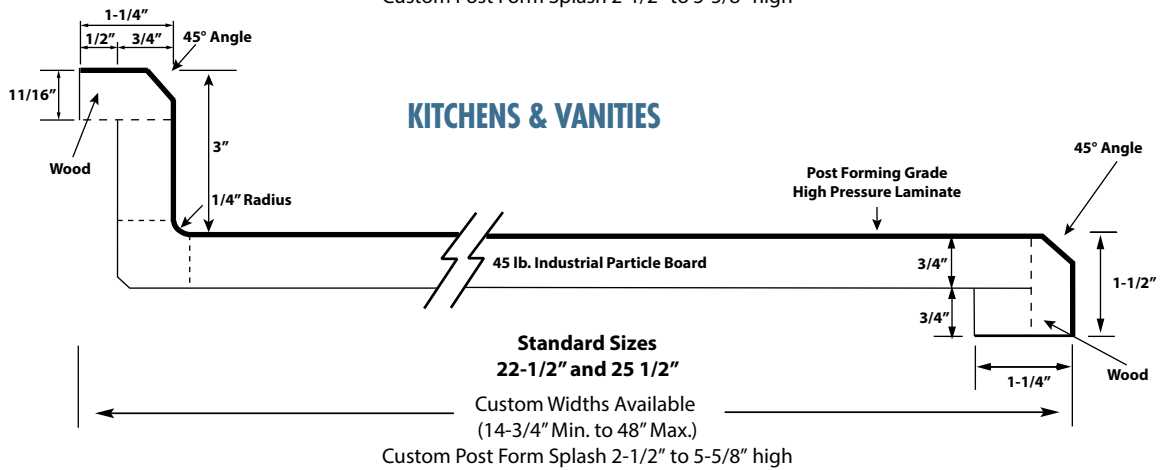
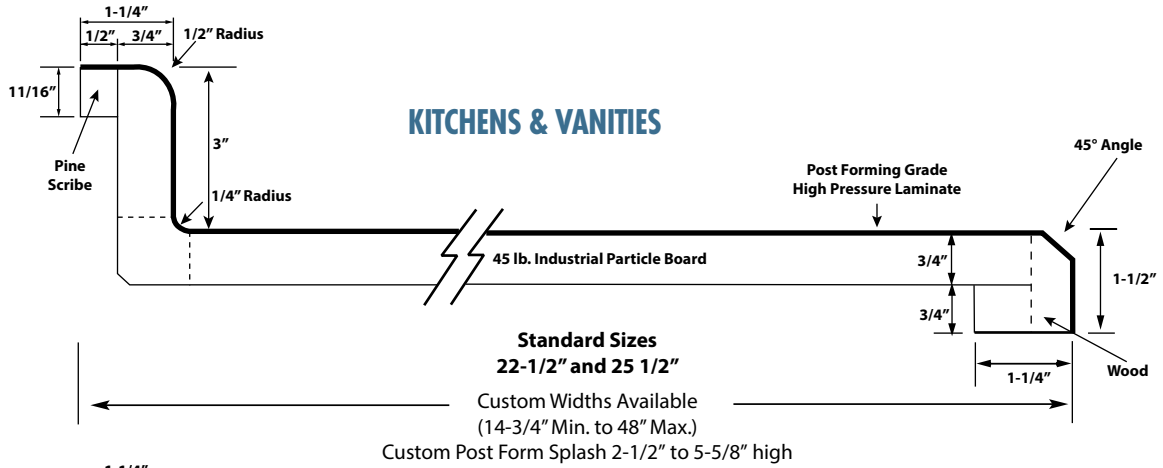
**3/4" SQUARE BACKSPASH WITH NO SCRIBE**

(loose) up to 6" high	\$10.30	\$10.70	\$11.40	\$11.95	\$13.51
-----------------------	---------	---------	---------	---------	---------

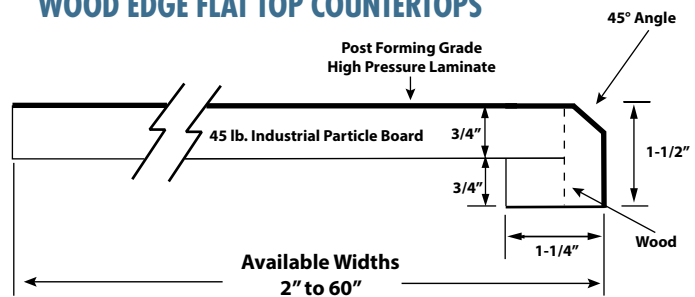
\* Backer is required for tops that exceed 36" in width when temperature and humidity levels are elevated. Orders requested without backer will void warranty coverage.



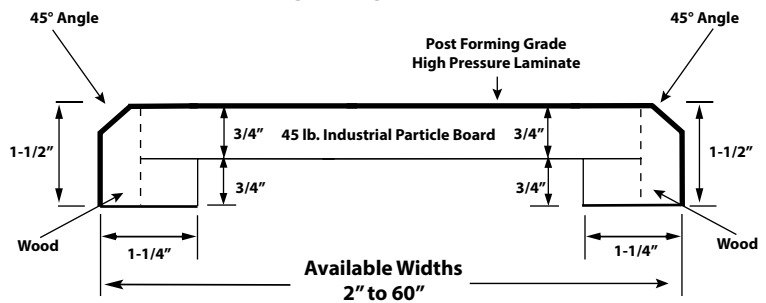




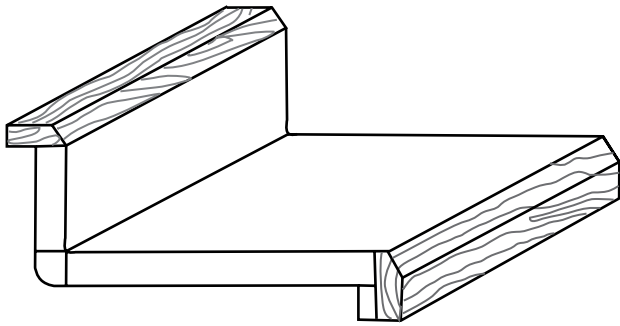
## WOOD EDGE FLAT TOP COUNTERTOPS



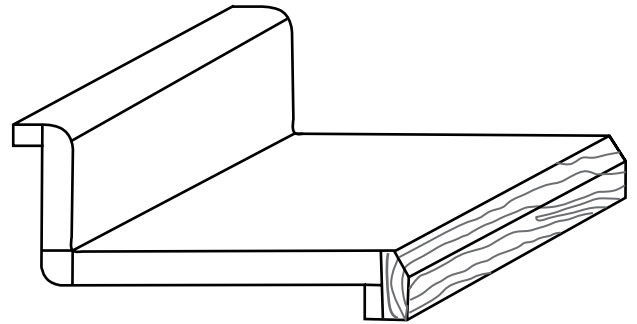
## ISLANDS



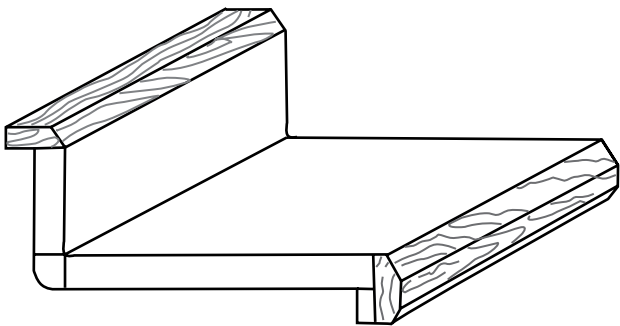
Backer is required for tops that exceed 36" in width when temperature and humidity levels are elevated. Orders requested without backer will void warranty coverage.



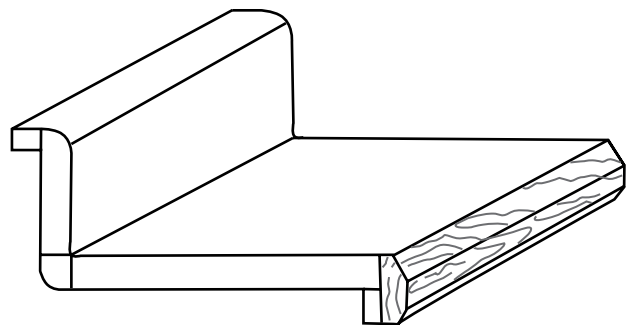
137  
Wood Edge Front and Back Single Bevel



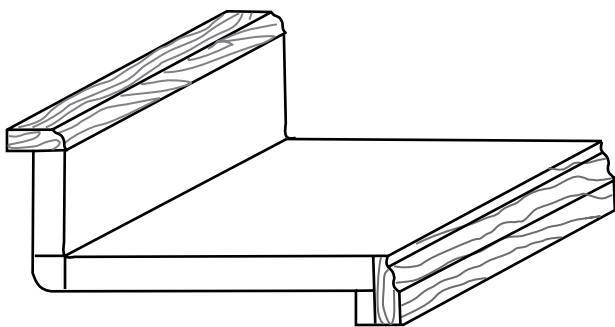
141  
Rolled Backsplash and Wood Front Single Bevel



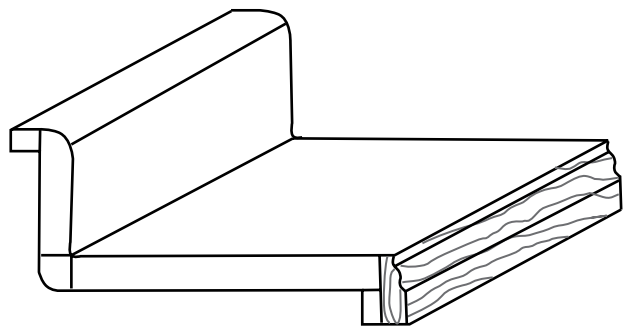
138  
Wood Edge Front and Back Double Bevel on Front



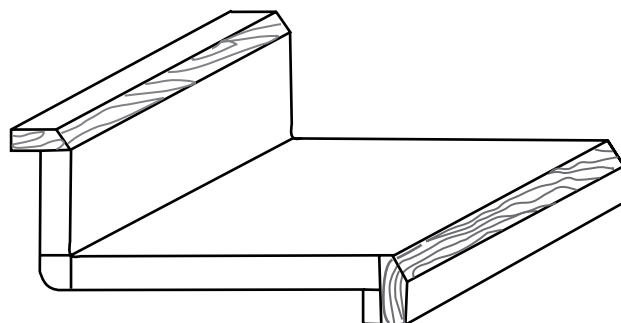
142  
Rolled Backsplash and Wood Front Double Bevel



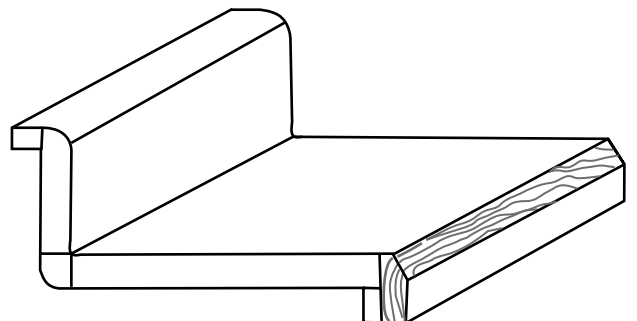
139  
Wood Edge Front and Back Ogee



143  
Rolled Backsplash and Wood Front Ogee



All Styles Available With Laminate Band



All Styles Available With Laminate Band



WOOD EDGE COUNTERTOPS

KIT.& VAN. (REF # 140'S)

(per linear foot)

Wood front with rolled back splash ..... \$31.44

ISLAND TOPS - WOOD 2 SIDES

Up to 27" Island ..... \$38.16

27-1/8" to 36" Island\* ..... \$45.96

36-1/8" to 45" Island\* ..... \$56.20

45-1/8" to 60" Island\* ..... \$66.44

FLAT TOPS - WOOD FRONT, RAW BACK

Up to 27" Deep ..... \$31.14

27-1/8" to 36" Deep\* ..... \$38.92

36-1/8" to 45" Deep\* ..... \$49.16

45-1/8" to 60" Deep\* ..... \$59.42

\* Backer is required for tops that exceed 36" in width when temperature and humidity levels are elevated. Orders requested without backer will void warranty coverage.

Table with 4 columns: Group, ADD, Price, and Material. Rows include Group 1 (Oak), Group 2 (Hickory), Group 3 (Maple), and Group 4 (Cherry).

ADDITIONAL CHARGES

Add Wood to back splash ( Ref # 130's) ..... \$6.34

Add Laminate band to wood edge (front edge and/or back splash).....add per edge ..... \$2.78

Poly Applied to Counter Tops ..... \$1.70

3/4" Scribe on backsplash..... \$7.00

Padding Strips Applied to Counter Tops ..... \$3.84

Sink Cutout (Specify hole size or template # from page 71) ..... \$32.00

Custom Sink Cutout (Any sink we have to make a template for) ..... \$105.82

Tops w/ Backer

Up to 30" Deep ..... \$6.35

30-1/8" - 45" ..... \$8.50

For Tops over 45" deep ..... \$11.15

Add 3/4" filler to any top .....(Per SQ FT) ..... \$5.50

Non-stock rush orders are subject to a minimum charge ..... \$115.00

## SPECIAL WOOD EDGE COUNTERTOPS

### SPECIAL DEPTH AND/OR SPLASH HEIGHT (5-5/8" HIGH MAX.)

#### Wood Front and Rolled Back Splash (Ref. 140's)

~Overall top depth plus splash height~	(per linear foot)
Equal to or less than 28-1/2" .....	\$39.18
Greater than 28 -1/2" up to 37"* .....	\$47.12
Greater than 37 -1/8" up to 51"* .....	\$53.46

### SCREWED ON SPLASH

#### Wood Front and Rolled Back Splash (Ref 140's)

~Overall top depth plus splash height~	
Equal to or less than 27-1/4" .....	\$51.98
Equal to 27 -3/8" up to 36"* .....	\$59.76
Equal to 36-1/4" up to 47"* .....	\$70.00
Equal to 47-1/4 up to 57-1/4"* .....	\$80.26

\* Backer is required for tops that exceed 36" in width when temperature and humidity levels are elevated. Orders requested without backer will void warranty coverage.

Group 1 .....	ADD.....	\$1.60	Oak.....	add per edge .....	\$0.00
Group 2 .....	ADD.....	\$4.40	Hickory .....	add per edge .....	\$0.00
Group 3 .....	ADD.....	\$6.60	Maple .....	add per edge .....	\$1.00
Group 4 .....	ADD.....	\$12.84	Cherry.....	add per edge .....	\$2.00

## ADDITIONAL CHARGES

	(per linear foot)
Add Wood to back splash ( Ref # 130's) .....	\$6.16
Add Laminate band to wood edge (front edge and/or back splash).....	add per edge ..... \$2.78

### WOOD EDGED BACKSPLASH

(loose) Up to 7" High.....	\$18.80
----------------------------	---------

NOTE: If Other Than Oak, Cherry, Maple, or Hickory Is Desired, Customer Will Supply Needed Lumber  
The Only Sizes That Can Be Accepted Are 5/8" x 1-3/4" x 100", 124", or 148"





### WOOD ENDS

With or without laminate bands.

Wood End on Flat Tops.....	\$59.64
Single Angle Cut w/ Wood Edge.....(does NOT include end, Ref 128) .....	\$78.02
Double Angle Cut w/ Wood edge.....(does NOT include end, Ref 129).....	\$156.04
End With One Angled or Radiused Corner .....(** 1" or *3" Radius ) .....	\$105.98
End With Two Angled or Radiused Corners .....(Over *3" Radius ) .....	\$138.04
End With Two Angled or Radiused Corners .....(** 1" or *3" Radius ) .....	\$158.97
.....(Over *3" Radius ).....	\$207.06
*Radius End .....	\$280.78
Banjo with SQUARE Corners.....Does NOT include End.....	\$206.28

**Note**

**On Kitchen and Vanities with Wood ends, remember to add for nose cap required on end of splash .....** \$20.82

Wood Edged End Splash (comes attached) .....

**\* If kitchen or vanity, backsplash must be screwed on**

**\*\* Not available with laminate band**

### LAMINATE FINISHED ENDS

Price out same as Standard Laminate Ends

### MITERS

Priced per pair

22-1/2 or 45 degree std. miters.....(Ref 103, 106, 108, 110).....	\$31.88
Spliced / 90 Degree Miters .....	\$90.00
Special degree miters .....(Ref 104, 105, 109) .....	\$90.00
Dog leg miters .....(Ref 107).....	\$90.00
T-Splice miters .....(Ref 114).....	\$141.44
Miter Splice Assembled (Tops over 144" to 157").....(Ref 103).....	\$71.00
If Spline in miter.....(Ref 101, 102).....ADD .....	\$25.94



FOR MULTI UNIT PRICES. CALL FOR MULTIPLIER

(PRICED USING ONE-QUARTER FOOT INCREMENTS)

## MULTI-FAMILY PRICING 4 Units Minimum

### ROLLED EDGE COUNTER TOPS Specs: Rolled Edge, Brown Backer on Build Down, Pine Scribe Stick

(PRICES ARE PER LN. FT.)	GROUP 0	GROUP 1	GROUP 2	GROUP 3	GROUP 4
<b>KITCHEN &amp; VANITY TOPS</b>					
25" Deep w/ 4" Splash	\$24.32	\$25.92	\$28.72	\$30.92	\$37.16
25-1/4" Deep w/ 3-3/4" Splash	\$24.32	\$25.92	\$28.72	\$30.92	\$37.16
25-1/2" Deep w/ 3" Splash	\$24.32	\$25.92	\$28.72	\$30.92	\$37.16
22-1/2" Deep	\$24.32	\$25.92	\$28.72	\$30.92	\$37.16
<b>ISLAND TOPS</b>					
12" Deep	\$24.32	\$25.92	\$28.72	\$30.92	\$37.16
16-1/4" and 18" Deep	\$24.32	\$25.92	\$28.72	\$30.92	\$37.16
27-1/8" Deep	\$24.32	\$25.92	\$28.72	\$30.92	\$37.16
32" and 35-3/4" Deep	\$34.18	\$35.78	\$38.58	\$40.78	\$47.02
42" Deep*	\$42.92	\$44.52	\$47.32	\$49.52	\$55.76
<b>OTHER ISLAND TOPS</b>					
12-1/8" to 27" Deep	\$34.56	\$36.16	\$38.96	\$41.16	\$47.40
27-1/4" to 35-1/2" Deep	\$44.18	\$45.78	\$48.58	\$50.78	\$57.02
36" to 45" Deep*	\$47.92	\$49.52	\$52.32	\$54.52	\$60.76
<b>SINGLE ROLLS</b>					
Up to 26" Deep	\$24.32	\$25.92	\$28.72	\$30.92	\$37.16
26-1/8 to 34-3/4" Deep	\$34.18	\$35.78	\$38.58	\$40.78	\$47.02
35" to 44" Deep*	\$47.92	\$49.52	\$52.32	\$54.52	\$60.76
<b>3/4" SQUARE BACKSPLASH WITH NO SCRIBE</b>					
(loose) up to 6" high	\$10.30	\$10.70	\$11.40	\$11.95	\$13.51
<b>WINDOW SILLS</b>					
Rolled front up to 8" Deep	\$13.16	\$14.76	\$17.56	\$19.76	\$26.00
Square Front up to 8" Deep	\$13.51	\$15.11	\$17.91	\$20.11	\$26.35

\* Backer is required for tops that exceed 36" in width when temperature and humidity levels are elevated. Orders requested without backer will void warranty coverage.

### ECONO TOPS Specs: Rolled Edge, No Backer on Build Down, Particle Board Scribe Stick

KIT. & VANITY TOPS	GROUP 0	GROUP 1	GROUP 2	GROUP 3	GROUP 4
25-1/2" Deep w/ 3" B.S.	\$22.38	\$23.98	\$26.78	\$28.98	\$35.22
25-1/4" Deep w/ 3-3/4" B.S.	\$22.38	\$23.98	\$26.78	\$28.98	\$35.22
25" Deep w/ 4" B.S.	\$22.38	\$23.98	\$26.78	\$28.98	\$35.22
22-1/2" Deep w/ 3" B.S.	\$22.38	\$23.98	\$26.78	\$28.98	\$35.22
<b>ISLAND TOPS</b>					
12" Deep	\$22.38	\$23.98	\$26.78	\$28.98	\$35.22
16-1/4" and 18" Deep	\$22.38	\$23.98	\$26.78	\$28.98	\$35.22
27-1/8" Deep	\$22.38	\$23.98	\$26.78	\$28.98	\$35.22
32" and 35-3/4" Deep	\$32.28	\$33.88	\$36.68	\$38.88	\$45.12
42" Deep*	\$41.02	\$42.62	\$45.42	\$47.62	\$53.86

02/2024



FOR MULTI UNIT PRICES. CALL FOR MULTIPLIER

FINISHED ENDS

Table listing finished ends items such as Straight end cap, Eased corners & radiused corners, Radiused corners, Radius end of island top, Nose cap, 1 angle cut, Double angle cut & capped, Banjo cut & cap, Square edge end splash, and Contoured to set on top of top, with their respective prices.

MITERS

Table listing mitering items such as 22-1/2 or 45 degree std. miters, Spliced / 90 Degree Miters, Special degree miters, Dog leg miters, T-Splice miters, Miter Splice Assembled, and If Spline in miter, with their respective prices.

NOTE: Remember to add for nose caps when mitering islands to tops with a backsplash.....\$20.82

ADDITIONAL CHARGES

Table listing additional charges such as Sink Cutout, Padding Strips Applied to Counter Tops, Tops w/ Backer (Up to 30" Deep, 30-1/8" - 45", For Tops over 45" deep), Add 3/4" filler to any top, and Jobsite Delivery, with their respective prices.





# Counter-Form LLC.

## MULTI UNIT SPECIFICATIONS

Information needed to process order

Company Name \_\_\_\_\_

Job Name \_\_\_\_\_

Phone \_\_\_\_\_

Today's Date \_\_\_\_\_

Fax \_\_\_\_\_

Return Estimate By: \_\_\_\_\_

<b>EDGE PROFILE</b>		<b>COLOR</b>		<b>NUMBER OF UNITS</b>	
---------------------	--	--------------	--	------------------------	--

<b>COMMONS INCLUDED</b>	<input type="checkbox"/> Yes	<input type="checkbox"/> No	<b>VANITIES</b>	<input type="checkbox"/> Yes	<input type="checkbox"/> No
-------------------------	------------------------------	-----------------------------	-----------------	------------------------------	-----------------------------

<b>DEPTH OF TOPS</b>	<b>BACKSPLASH HEIGHT</b>	<b>BACKSPLASH</b>	
		<input type="checkbox"/> Rolled	<input type="checkbox"/> Square
		<input type="checkbox"/> Integral	<input type="checkbox"/> Loose

<b>CORES</b>	<b>PHENOLIC BACKER</b>	<input type="checkbox"/> Yes	<input type="checkbox"/> No	
<input type="checkbox"/> Standard	<input type="checkbox"/> ULEF	<input type="checkbox"/> Moisture Resistant ULEF	<b>JUST MR AT SINKS</b>	
			<input type="checkbox"/> Yes	<input type="checkbox"/> No

<b>MITERS</b>	<input type="checkbox"/> Standard	<input type="checkbox"/> Spline	<b>SINK CUTOUTS</b>	<input type="checkbox"/> Yes	<input type="checkbox"/> No
---------------	-----------------------------------	---------------------------------	---------------------	------------------------------	-----------------------------

<b>PADDING</b>	<b>SPLASHES</b>
<input type="checkbox"/> None	<input type="checkbox"/> None
<input type="checkbox"/> Applied	<input type="checkbox"/> End Mount
<input type="checkbox"/> Loose	<input type="checkbox"/> Contoured

### NOTES

Delivery City \_\_\_\_\_

State \_\_\_\_\_ ZIP \_\_\_\_\_

Estimated Number of Deliveries \_\_\_\_\_

1st Delivery Date: \_\_\_\_\_

Last Delivery Date: \_\_\_\_\_

---



---



---



---



---

Send completed forms with quote request to: [quotes@counter-form.com](mailto:quotes@counter-form.com)



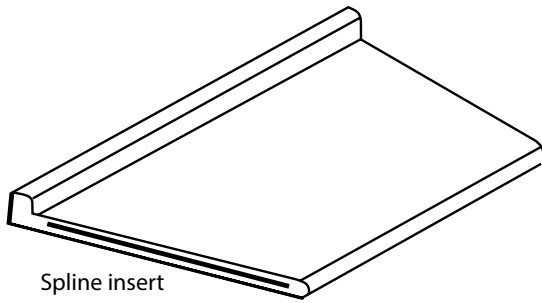
SPECIAL CUTS

Ref 111 . . . .Chimney Notch	
Notch Only .....	\$81.28
L-shaped sq. edged end splash to fit notch .....	\$152.20
Rolled end splash to fit notch (comes attached) .....	\$260.28
Ref 112 . . . .Notch & Fill In .....	(per lineal foot) \$42.50
Ref 113 . . . .Notch & Screw On Rolled Backsplash.....	(per lineal foot) \$55.14
Nose Cap (If required on end of splash).....	(each) \$20.82
Ref 114 . . . .T-splice .....	\$141.44
If SPLINED T-splice .....	\$167.38
Ref 116 . . . .Diagonal Reverse Miter	
Includes 1 Miter and Diagonal Section.....	\$329.28
If SPLINED Miters .....	\$355.22
Ref 117 . . . .Diagonal Corner Wall	
Includes 1 Miters and Screwed On Diagonal Splash.....	\$198.08
If SPLINED Miters .....	\$224.02
Ref 118 . . . .Std. Lazy Susan Corner	
Includes 2 Miters . . . . (footage extra).....	\$63.76
If SPLINED Miters .....	\$115.64
Corner Shelf (if required) Rolled .....	\$129.16
Ref 119 . . . .Notch & Fit Diagonal Front With No Sink	
Includes Miters and attached front edge.....	\$329.28
If SPLINED Miters .....	\$355.22
Ref 120 . . . .Notch & Fit Diagonal Front, With Island Top & No Sink	
Includes miter, attached front rolls, and nose cap .....	\$350.10
If SPLINED Miters .....	\$376.04
Ref 121 * . . . .C.F.C. Corner	
Includes 2 miters and corner section with screwed on backsplash, To fit up to 36" x 36" base	
Std Edge .....	\$467.77
No Drip .....	\$476.77
D and 180 Wrap .....	\$497.02
Roman/Premier/Regent/Monarch.....	\$501.52
To fit up to 42" x 42" base	
Std Edge .....	\$538.77
No Drip .....	\$547.77
D and 180 Wrap .....	\$568.02
Premier / Regent / Roman / Monarch.....	\$572.52
For Single Edge Tops .....	Deduct \$114.62
If SPLINED Miters .....	ADD \$51.88

\*Ref 121 & 122 Laminate Upcharge

Group 1 .....	\$6.40
Group 2.....	\$17.60
Group 3.....	\$26.40
Group 4.....	\$51.36

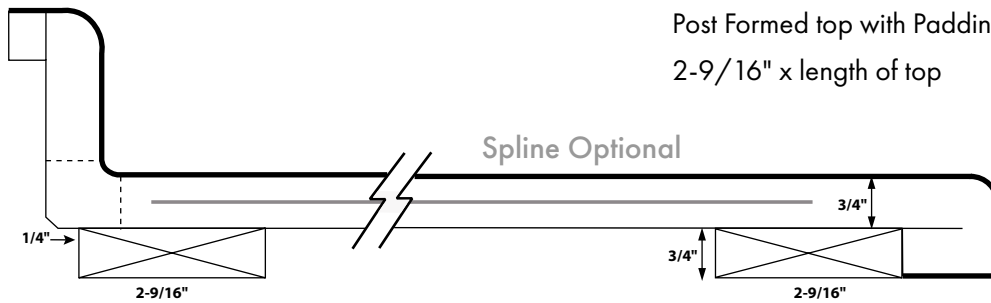
Ref 122* . . . . C.F.C. Corner w/ Island	
Includes 1 miter, 1 dogleg miter, 1 nose cap, and corner section with screwed on backsplash	
To fit up to 36" x 36" base	
Std Edge.....	\$505.03
No Drip .....	\$514.23
D and 180 Wrap.....	\$534.48
Roman/Premier/Regent/Monarch.....	\$538.98
To fit up to 42" x 42" base	
Std Edge.....	\$576.03
No Drip .....	\$585.23
D and 180 Wrap.....	\$605.48
Roman/Premier/Regent/Monarch.....	\$609.98
For Single Edge Tops .....	Deduct..... \$52.10
If SPLINED Miters .....	ADD..... \$51.88
Ref 123 . . . . Notch & Fit Front Roll for Sink	
Includes 3 miters and 4" deep front diagonal (does not include sink cut out) .....	\$212.24
If front diagonal OVER 4" deep.....	ADD..... \$48.64
If SPLINED Miters .....	ADD..... \$25.94
Cut in Sink (specify hole size) .....	\$80.00
Ref 124 . . . . Notch & Fit Recessed Front Roll With Sink	
Includes 3 Miters, Front Roll & 2 Fitted Caps In Recess.....	\$337.24
If SPLINED Miters .....	ADD..... \$25.94
Cut In Sink (specify hole size).....	\$80.00
Ref 125 . . . . Lazy Susan With Recessed Front (footage extra)	
Includes 2 Miters & 2 Fitted Caps In Recess .....	\$305.00
If SPLINED Miters .....	ADD..... \$51.88
Corner Shelf (if required) Rolled Edge.....	\$129.16
Ref 126 . . . . Diagonal Range	
Includes Angle Cut & Screwed On Diagonal Splash.....(per side).....	\$74.40
Cap Angle (if required).....(per side).....	\$95.22
Ref 127 . . . . Stove Cut Out / 3 sided cutout	
Cut Out Only.....	\$82.30
Cut Out & Capped With Square Corners .....	\$165.58
Cut Out & Capped With Rounded Corners .....	\$178.36
Ref 128 . . . . Angle Cut.....	\$18.38
Angle Cut & Capped (Does NOT Include End) .....	\$39.20
Wood Edge Angle (Does NOT Include End) .....	\$78.02
Applied Edge Angle (Does NOT Include End).....	\$82.96
Ref 129 . . . . Double Angle Cut & Capped	
Includes Cutting & Capping Angles, 1 or 2 Piece Cap.....	\$78.40
Wood Edge (includes price for nose cap on end of backsplash) .....	\$176.86
Applied Edge (includes price for nose cap on end of backsplash) .....	\$186.74
Ref 130 . . . . Banjo Cut Out (does NOT include end)	
Includes Banjo Cut & Capped, With or without Rounded Corners.....	\$143.78
Wood Edge Banjo, With or without Rounded Corners.....	\$206.28
Applied Edge Banjo . . . SQUARE Corners.....	\$206.28
Ref 131 . . . . Notch For Square Edge End Splash	
Notch Only .....	\$34.30
Square Edge Endsplash (NOT attached).....	\$28.10



Spline insert

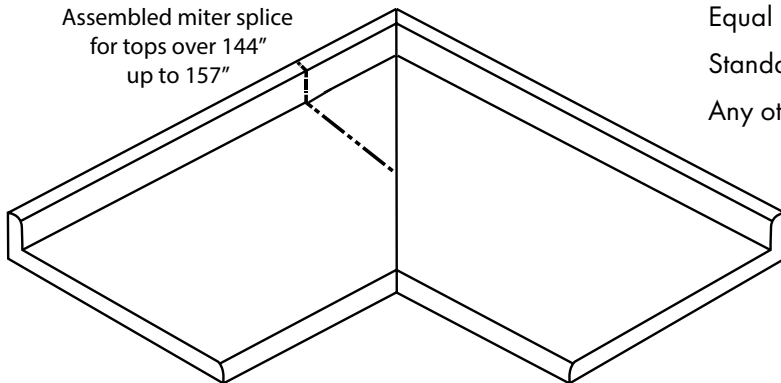
**101**

Post Formed Tri-Cove Top  
Standard Kitchen 25-1/2" deep  
Standard Vanity 22-1/2" deep  
Special Depth 19" to 34"  
Under 19" or over 34" deep requires screwed on backsplash



**102**

Post Formed top with Padding applied  
2-9/16" x length of top



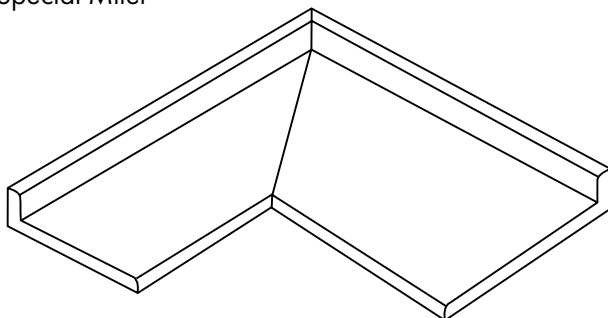
Assembled miter splice  
for tops over 144"  
up to 157"

**103**

Equal Depth Tri-Cove Tops, mitered together  
Standard Miter 90, 22-1/2 or 45 degrees  
Any other degree is a special miter.

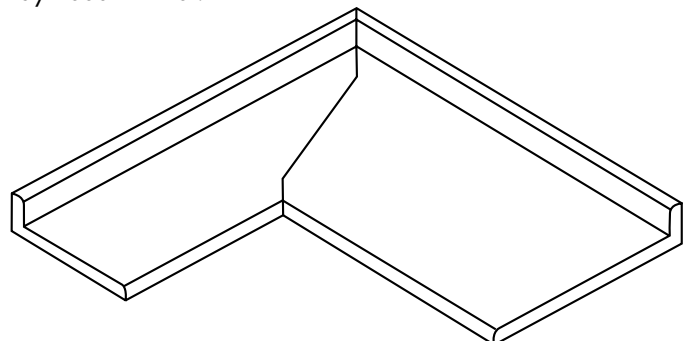
**104**

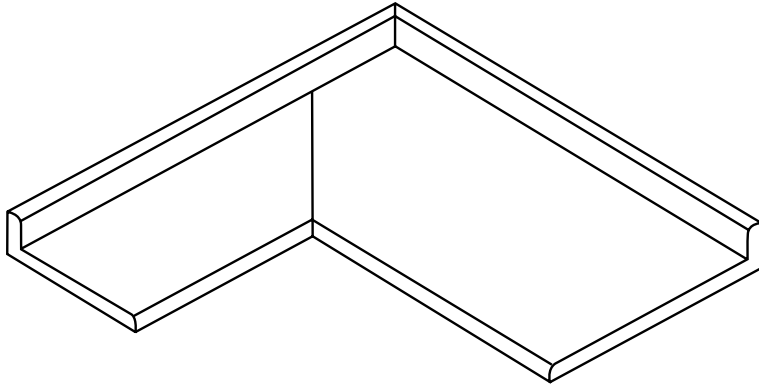
Different Depth, Tri-Cove Tops, mitered together  
Special Miter



**104Z**

Depending on difference in depth,  
may need Z-miter.

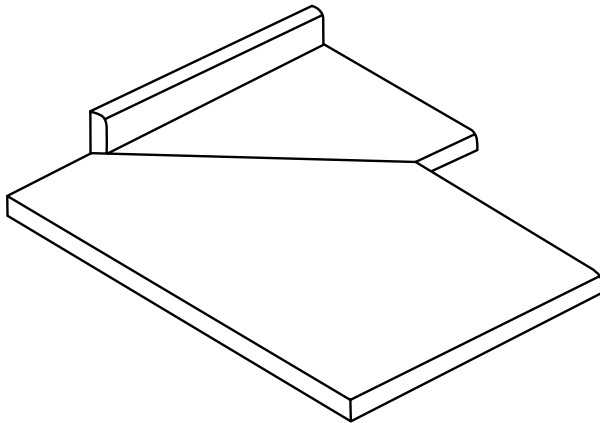




## 105

Different Depth Tri-Cove Tops, mitered together where one or both tops have a SCREWED-ON backsplash.

All are special miters.



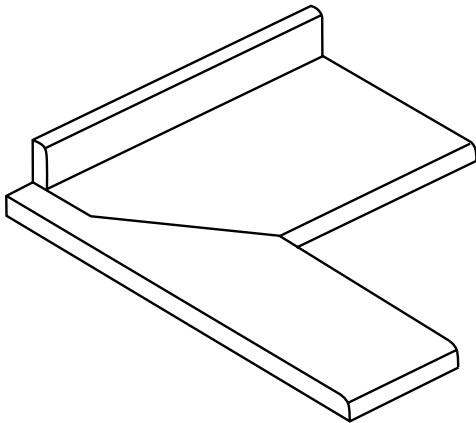
## 106

Tri-Cove Top, mitered to island top

Standard Miter 90, 22-1/2 or 45 degree

Any other degree is a special miter

Nose Cap required on end of backsplash.

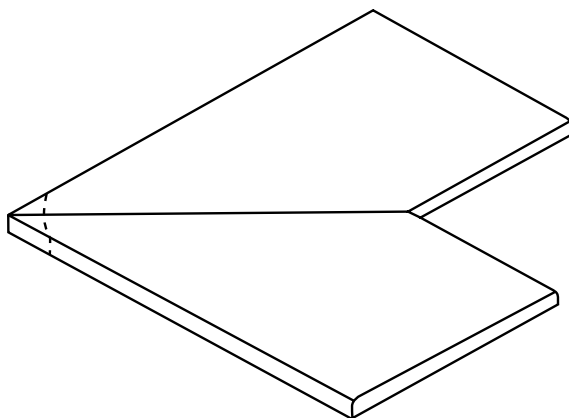


## 107

Dog Leg Miter

Tri-Cove Top, mitered to island top where island top is narrower than tri-cove top

Nose Cap required on end of backsplash.

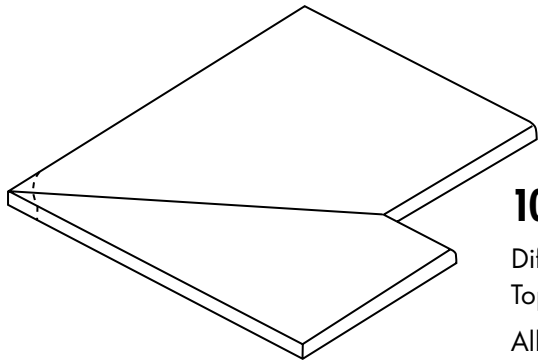


## 108

Equal Depth Island Tops, mitered together

Standard Miter 90, 22-1/2 or 45 degree

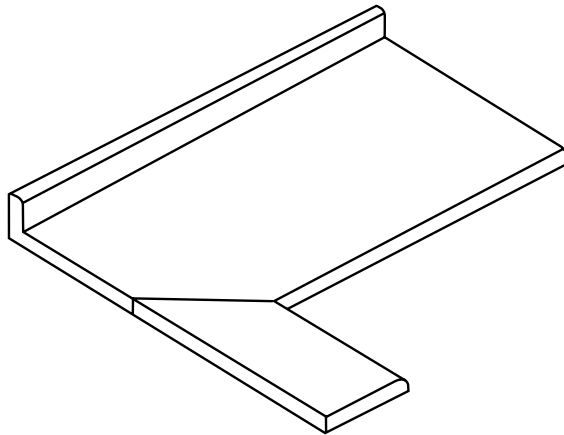
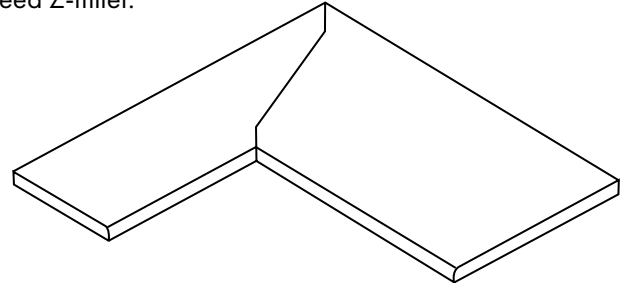
Any other degree is a special miter.



**109**  
Different Depth Island  
Top, Mitered Together  
All are special miters.  
Eased outside corner is  
recommended.

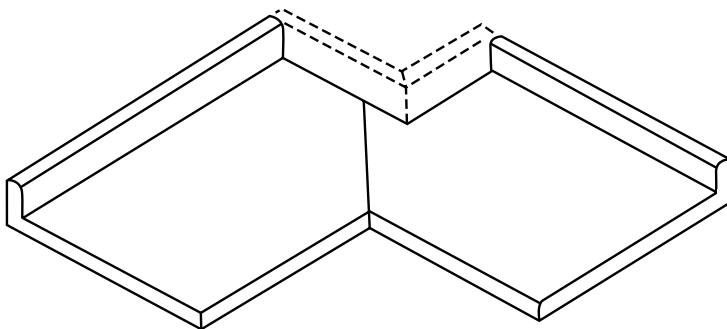
**109Z**

Depending on difference in depth, may  
need Z-miter.



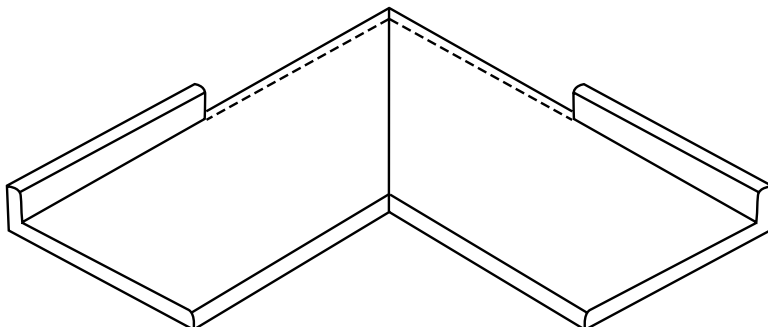
**110**

Tri-Cove Top, Mitered to Single Edge Top  
Standard Miter 90, 22-1/2 or 45 Degrees  
Any other degree is a special miter.



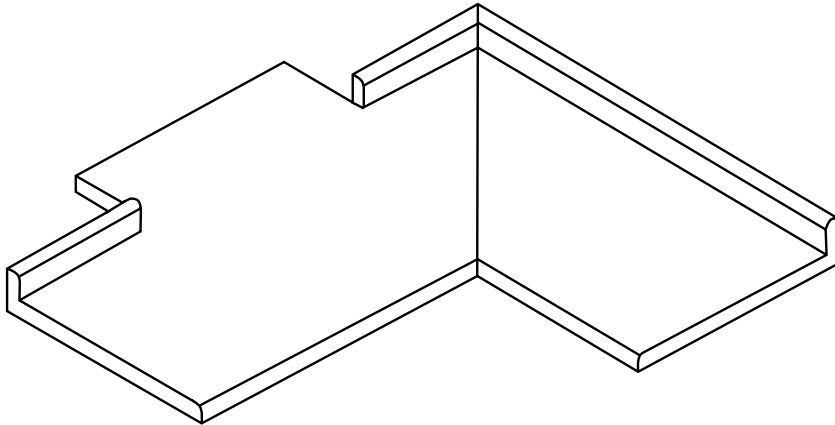
**111**

Chimney Notch  
Available With or Without:  
L-shaped Square Edge Splash or  
L-shaped Rolled Splash (attached)



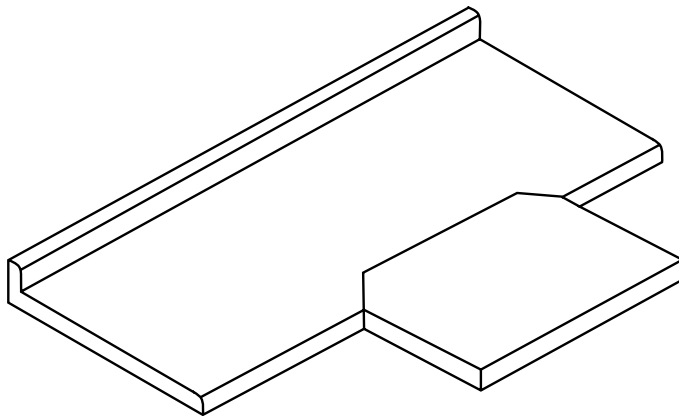
**112**

Notch and Fill-In  
Backsplash is removed and top is filled in flat to wall.  
Nose Cap required when end of backsplash is  
exposed.



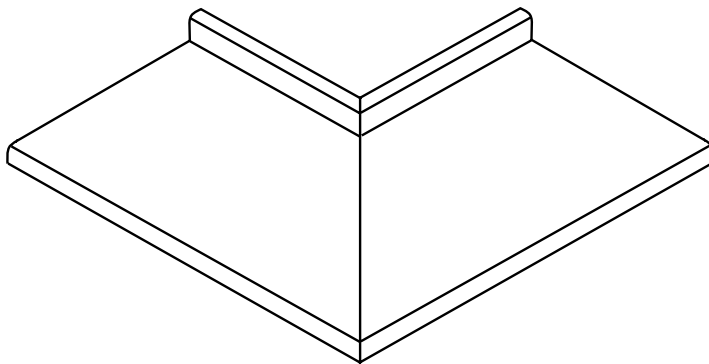
## 113

Notched and SCREWED ON Backsplash  
Island Top is notched out and backsplash is screwed on.  
Nose Cap required when end of backsplash is exposed.



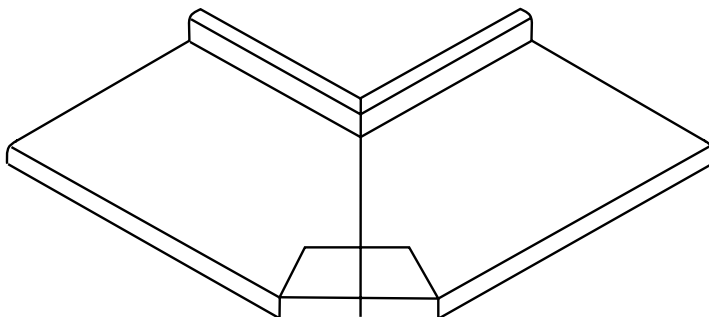
## 114

T-Splice  
Island top miter to rolled edge of tri-cove top or another island top.



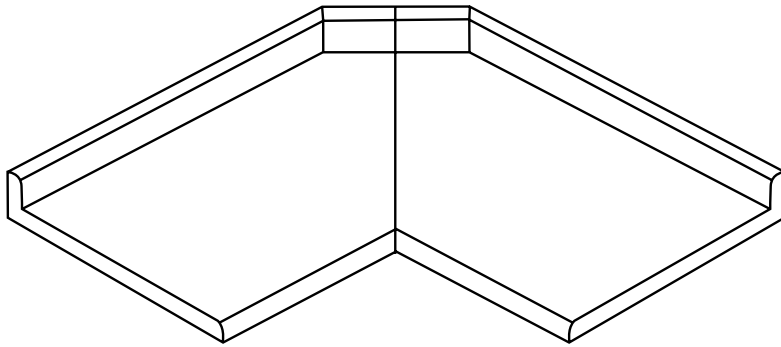
## 115

Reverse Miter  
Equal Depth or Special Depth Tri-Cove Tops  
Standard Miter 90, 22-1/2 or 45 Degree  
Any other degree is a special miter



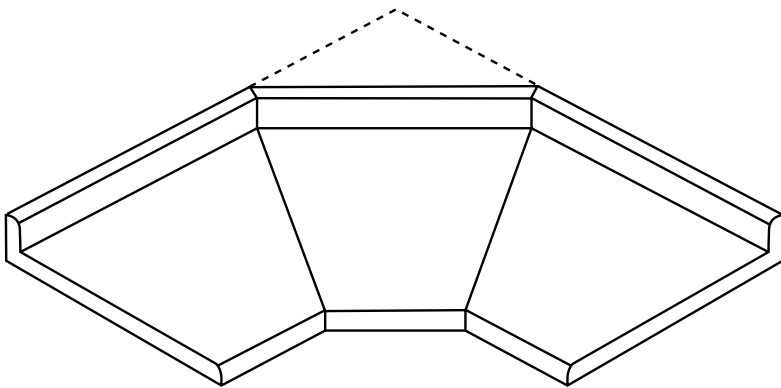
## 116

Diagonal Reverse Miter



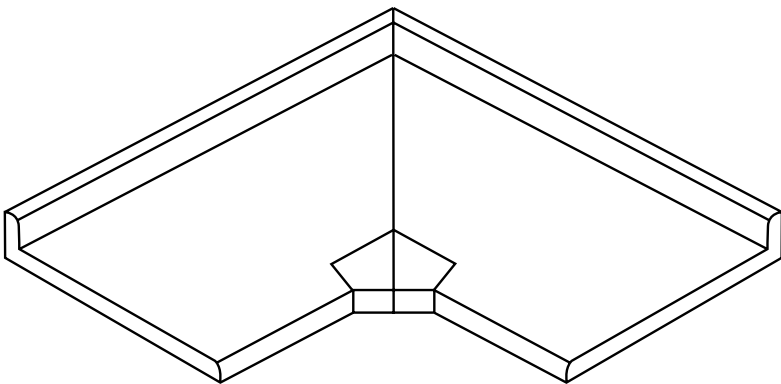
**117**

Diagonal Corner Wall  
Diagonal splash is SCREWED ON.



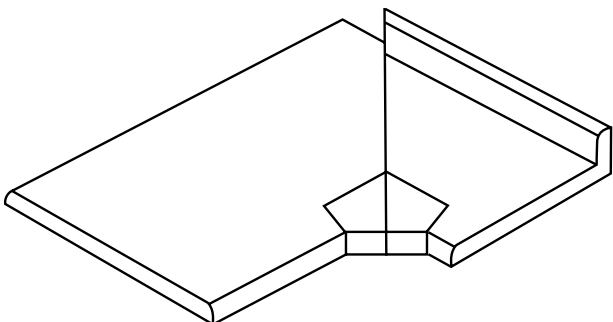
**118**

Standard Lazy Susan Corner  
Standard Miter 22-1/2 Degree Cuts  
Any other degree is a special miter.  
If wall runs to corner, corner shelf is available.



**119**

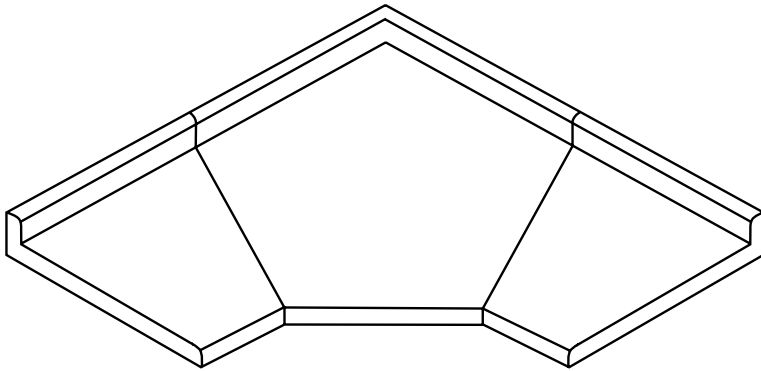
Notch and Fit Diagonal Front with no sink  
Front edge come attached.



**120**

Notch and Fit Diagonal Front With Island Top and No Sink  
Front edge come attached.  
Nose cap is included.

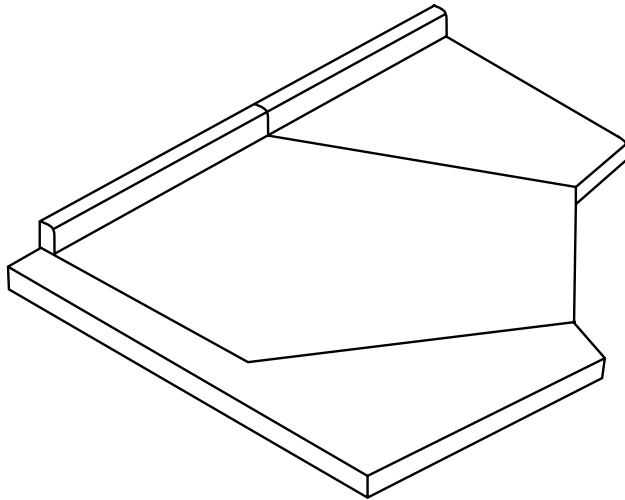




## 121

C.F.C. Corner

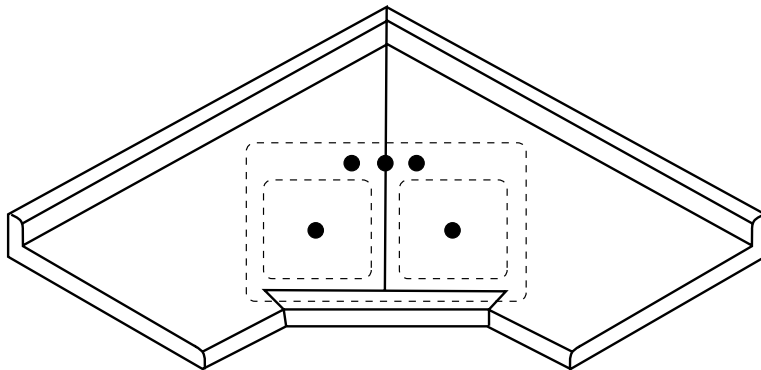
Center section comes SCREWED ON  
backsplash.



## 122

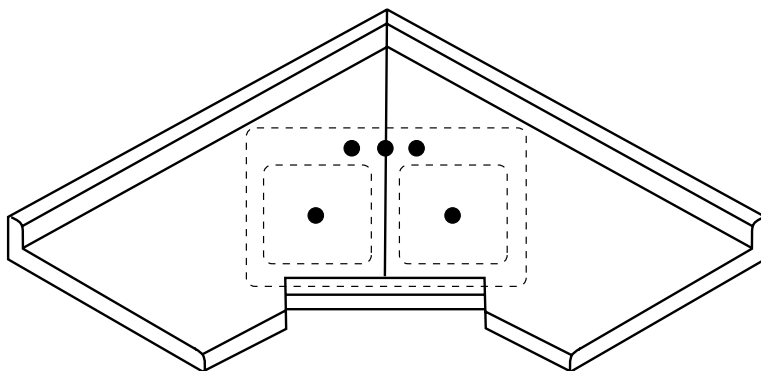
C.F.C. Corner With Island

Center section comes SCREWED ON  
backsplash.



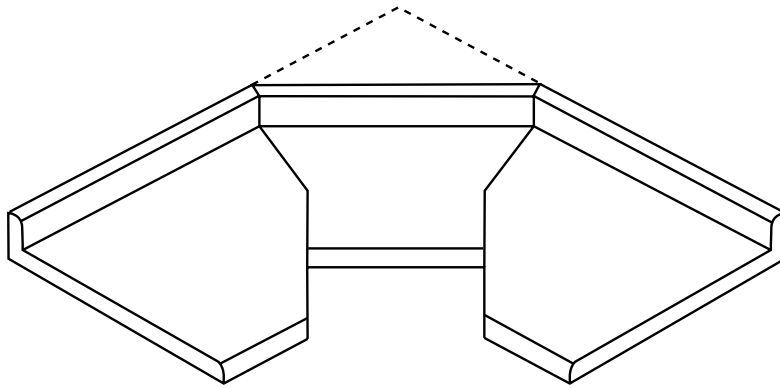
## 123

Notch and Fit Front Edge With Sink



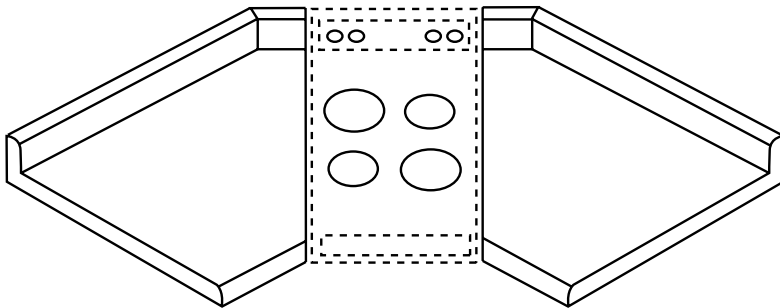
## 124

Notch and Fit Recessed Front Edge With Sink



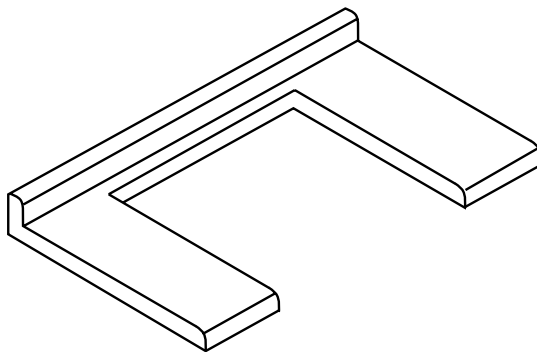
**125**

Lazy Susan With Recessed Front  
If wall runs to corner, corner shelf is available.



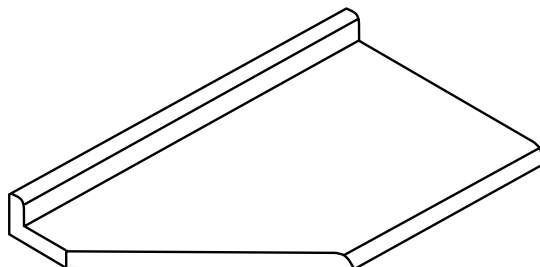
**126**

Diagonal Range  
Diagonal splash is SCREWED ON.



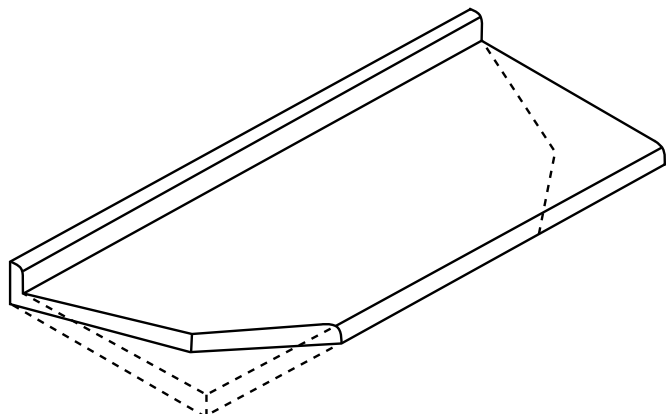
**127**

Stove Cut Out/3 Sided Cut Out  
Cut out may have square or rounded corners.  
Cut out may be capped or left raw.



**128**

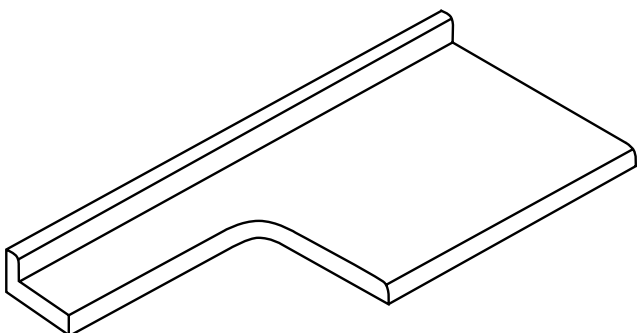
Angle Cut and Cap



## 129

Double Angle Cut and Cap

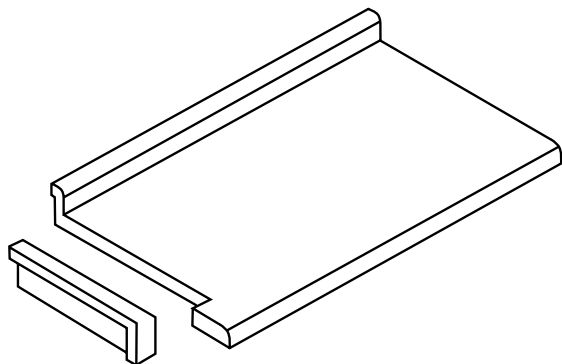
For use with angle corner base cabinet



## 130

Banjo Cut Out

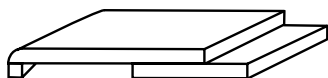
Cut out may have square or rounded corners.



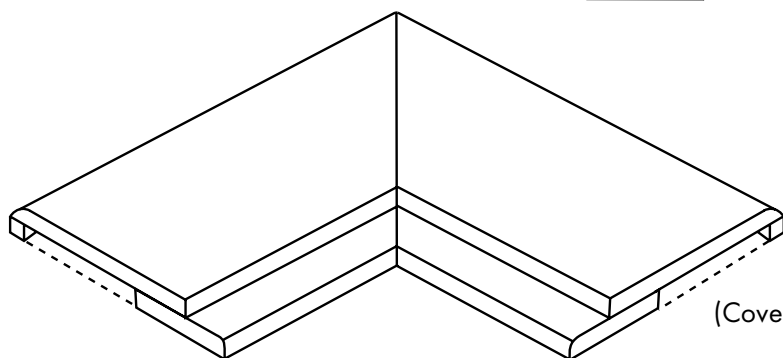
## 131

Notch for Square Edge End Splash

End splashes are not attached.



(Square Edge Glass Rail)



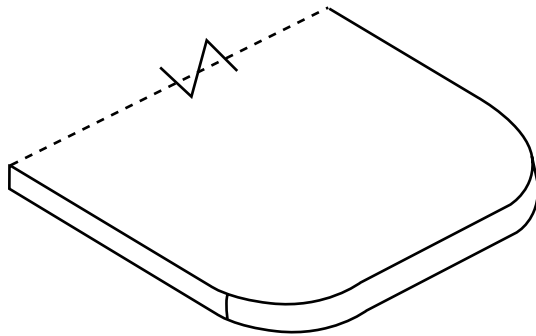
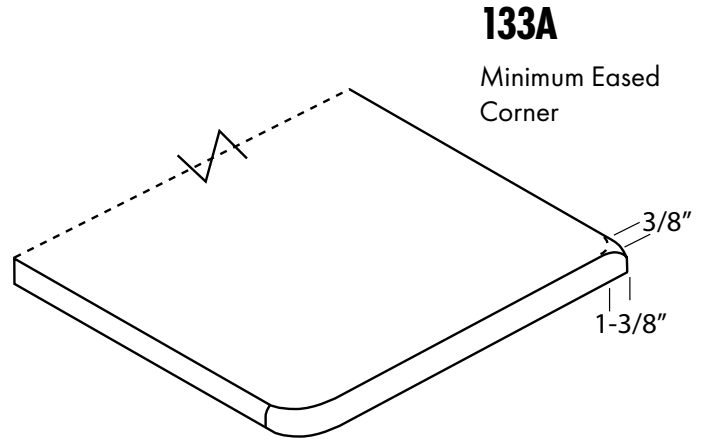
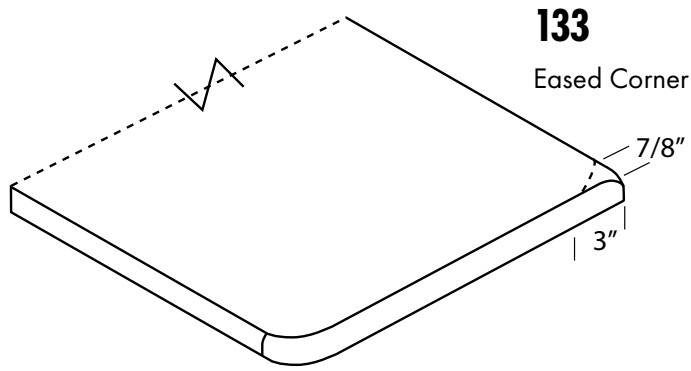
## 132

Bar Top with Screwed On Glass Rail

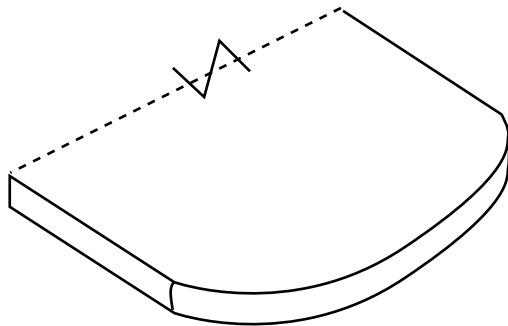
Available 3/4" With 1-1/2" Edge or 1-1/2" Solid

All with backer sheet applied.

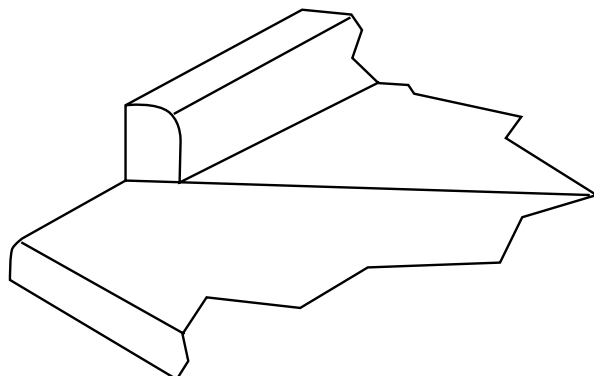
(Coved Edge Glass Rail)



**134**  
Radiused Corner  
Available from 2" on up in 1" increments.

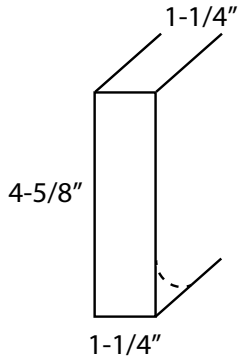


**135**  
Radius End of Island

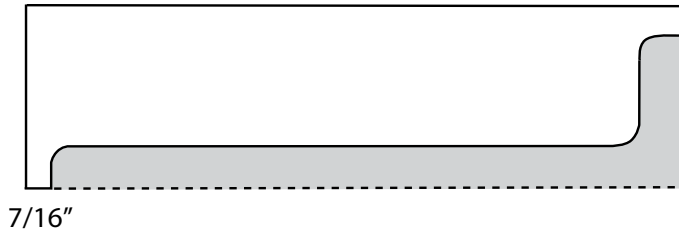
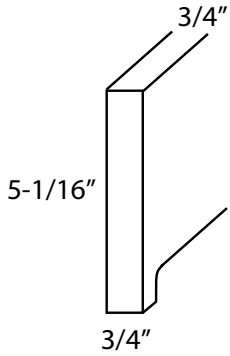


**136**  
Cap Exposed End of Backsplash  
(When mitered to an island top)

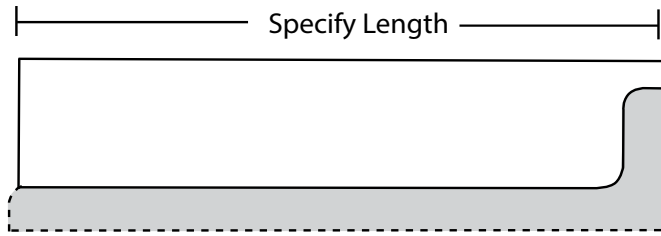
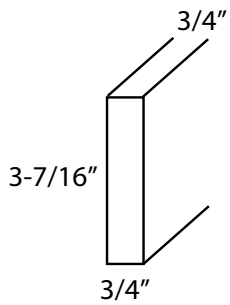
# SIDE SPLASH DIAGRAMS



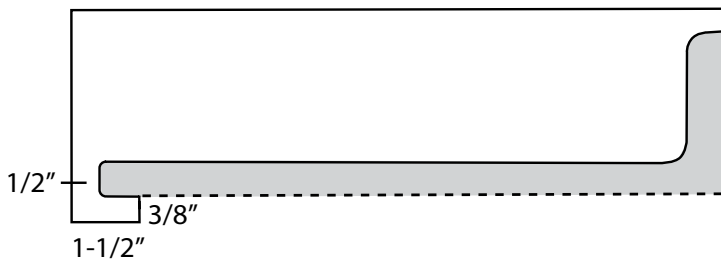
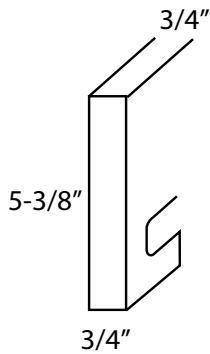
Standard Square Side Splash for All Edge  
 Note: Screw on splash comes loose and will add 1-1/4" to overall length of top.



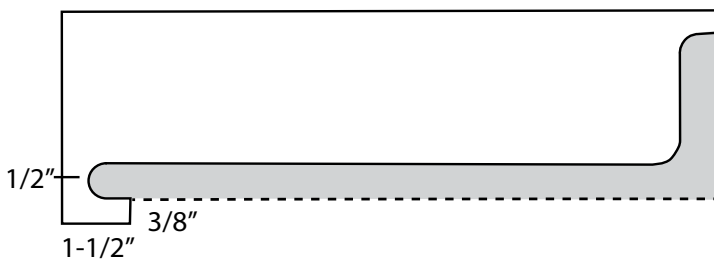
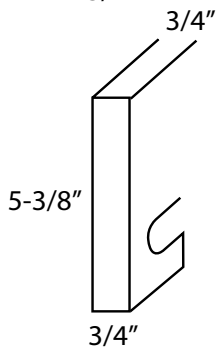
7/16"  
 Set On Contoured Front & Back for Standard (tri-cove) Side Splash  
 Standard Sizes: 25-1/2" w/3" B.S.  
 25-1/4" w/3-3/4" B.S.  
 25" w/4" B.S.  
 22-1/2" w/3" B.S.



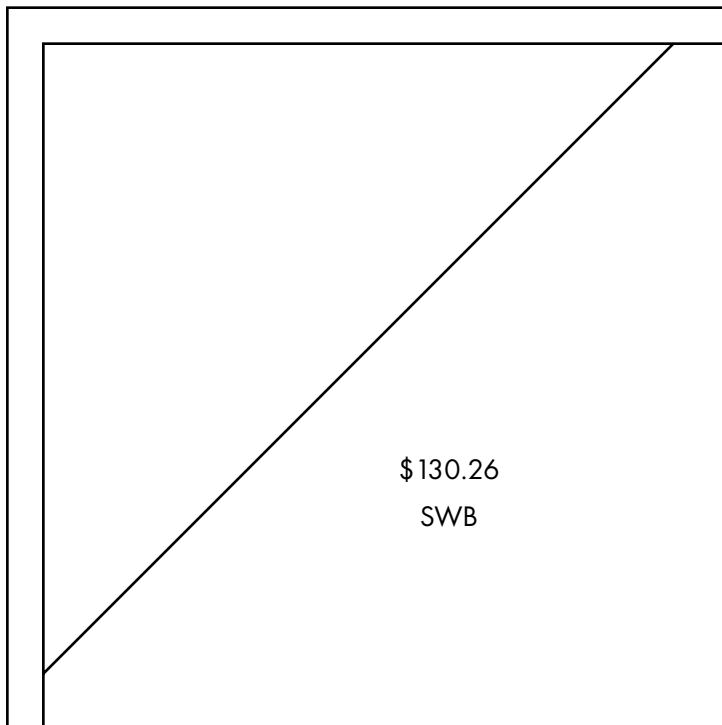
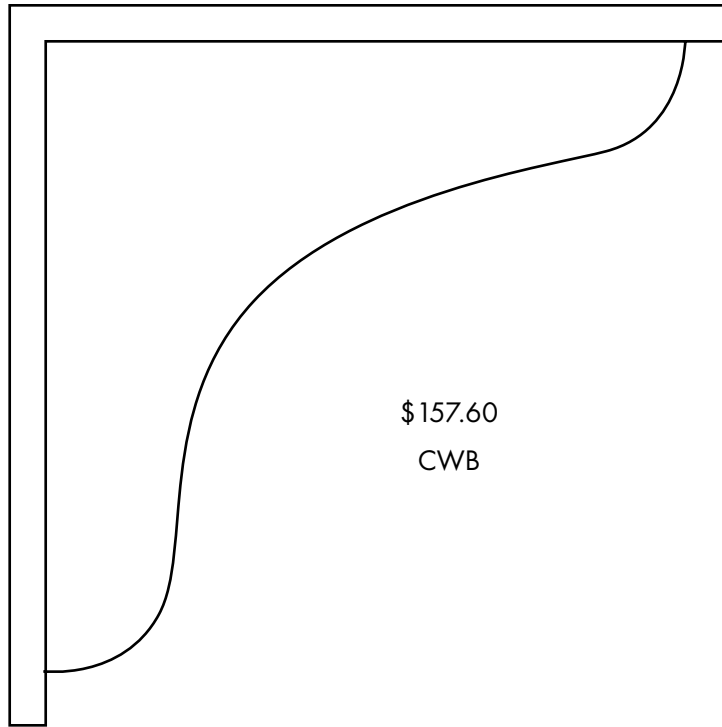
7/16"  
 Set On Contoured Back Only Side Splash



7/16"  
 Set On Contoured Front & Back for "D" Edge Side Splash  
 Standard Sizes: 25-1/4" w/3" B.S.  
 22-1/2" w/3" B.S.



7/16"  
 Set On Contoured Front & Back for 180° Edge Side Splash  
 Standard Sizes: 25-1/4" w/3" B.S.  
 22-1/2" w/3" B.S.



## SINK TEMPLATES (For drop in sinks only)

#	HOLE SIZE	SHAPE	#	HOLE SIZE	SHAPE
185	14 <sup>3</sup> / <sub>8</sub> x 14 <sup>3</sup> / <sub>8</sub>	Square	6	24 <sup>1</sup> / <sub>8</sub> x 21 <sup>1</sup> / <sub>8</sub>	Rectangle
10	17 x 15 <sup>1</sup> / <sub>4</sub>	Oval	9	24 <sup>1</sup> / <sub>8</sub> x 21 <sup>1</sup> / <sub>4</sub>	Rectangle
87	17 <sup>1</sup> / <sub>8</sub> x 14	Oval	11	24 <sup>1</sup> / <sub>4</sub> x 21 <sup>1</sup> / <sub>4</sub>	Rectangle
117	17 <sup>1</sup> / <sub>4</sub> x 14 <sup>1</sup> / <sub>2</sub>	Oval	116	24 <sup>3</sup> / <sub>8</sub> x 18 <sup>3</sup> / <sub>8</sub>	Rectangle
121	17 <sup>1</sup> / <sub>4</sub> x 14 <sup>5</sup> / <sub>8</sub>	Oval	139	24 <sup>3</sup> / <sub>8</sub> x 18 <sup>7</sup> / <sub>8</sub>	Rectangle
82	17 <sup>1</sup> / <sub>2</sub> x 14 <sup>1</sup> / <sub>4</sub>	Oval	100	24 <sup>3</sup> / <sub>8</sub> x 20 <sup>5</sup> / <sub>8</sub>	Rectangle
126	17 <sup>1</sup> / <sub>2</sub> x 14 <sup>3</sup> / <sub>4</sub>	Oval	50	24 <sup>3</sup> / <sub>8</sub> x 21 <sup>3</sup> / <sub>8</sub>	Rectangle
140	17 <sup>1</sup> / <sub>2</sub> x 15 <sup>1</sup> / <sub>4</sub>	Oval	14	24 <sup>1</sup> / <sub>2</sub> x 21 <sup>1</sup> / <sub>2</sub>	Rectangle
71	17 <sup>7</sup> / <sub>8</sub> x 15 <sup>1</sup> / <sub>2</sub>	Oval	22	24 <sup>5</sup> / <sub>8</sub> x 20 <sup>5</sup> / <sub>8</sub>	Rectangle
18	18 <sup>1</sup> / <sub>8</sub> x 15 <sup>1</sup> / <sub>8</sub>	Oval	122	24 <sup>3</sup> / <sub>4</sub> x 21 <sup>1</sup> / <sub>2</sub>	Rectangle
111	18 <sup>1</sup> / <sub>4</sub> x 15 <sup>1</sup> / <sub>2</sub>	Oval	47	28 x 19	Rectangle
110	18 <sup>1</sup> / <sub>4</sub> x 16	Oval	131	28 <sup>1</sup> / <sub>4</sub> x 17 <sup>1</sup> / <sub>4</sub>	Rectangle Hold Back 1"
36	18 <sup>5</sup> / <sub>8</sub> x 15 <sup>1</sup> / <sub>2</sub>	Oval	125	28 <sup>3</sup> / <sub>8</sub> x 17 <sup>3</sup> / <sub>8</sub>	Rectangle Hold Back 1"
81	18 <sup>7</sup> / <sub>8</sub> x 15 <sup>7</sup> / <sub>8</sub>	Oval	24	31 <sup>1</sup> / <sub>8</sub> x 19 <sup>3</sup> / <sub>16</sub>	Rectangle
127	19 x 16	Oval	21	31 <sup>1</sup> / <sub>8</sub> x 20 <sup>1</sup> / <sub>8</sub>	Rectangle
19	19 <sup>1</sup> / <sub>16</sub> x 16 <sup>3</sup> / <sub>16</sub>	Oval	44	31 <sup>1</sup> / <sub>4</sub> x 19 <sup>1</sup> / <sub>4</sub>	Rectangle
8	19 <sup>1</sup> / <sub>8</sub> x 16 <sup>1</sup> / <sub>8</sub>	Oval	78	31 <sup>3</sup> / <sub>4</sub> x 20 <sup>3</sup> / <sub>4</sub>	Rectangle
32	19 <sup>3</sup> / <sub>8</sub> x 16 <sup>1</sup> / <sub>2</sub>	Oval	2	32 <sup>1</sup> / <sub>8</sub> x 21 <sup>1</sup> / <sub>8</sub>	Rectangle
109	19 <sup>9</sup> / <sub>16</sub> x 14 <sup>1</sup> / <sub>16</sub>	Oval	130	32 <sup>1</sup> / <sub>4</sub> x 20 <sup>1</sup> / <sub>4</sub>	Rectangle
138	19 <sup>7</sup> / <sub>8</sub> x 16 <sup>7</sup> / <sub>8</sub>	Oval	118	32 <sup>1</sup> / <sub>4</sub> x 20 <sup>1</sup> / <sub>2</sub>	Rectangle
98	22 <sup>3</sup> / <sub>4</sub> x 16 <sup>7</sup> / <sub>8</sub>	Oval	13	32 <sup>1</sup> / <sub>4</sub> x 21 <sup>1</sup> / <sub>4</sub>	Rectangle
89	15 <sup>1</sup> / <sub>2</sub> x 15 <sup>1</sup> / <sub>2</sub>	Circle	128	32 <sup>1</sup> / <sub>4</sub> x 21 <sup>3</sup> / <sub>8</sub>	Rectangle
79	17 x 17	Circle	70	32 <sup>3</sup> / <sub>8</sub> x 20 <sup>3</sup> / <sub>8</sub>	Rectangle
83	17 <sup>1</sup> / <sub>4</sub> x 17 <sup>1</sup> / <sub>4</sub>	Circle	4	32 <sup>3</sup> / <sub>8</sub> x 20 <sup>5</sup> / <sub>8</sub>	Rectangle
177	15 <sup>1</sup> / <sub>2</sub> x 18 <sup>1</sup> / <sub>2</sub>	Rectangle	114	32 <sup>3</sup> / <sub>8</sub> x 21 <sup>3</sup> / <sub>16</sub>	Rectangle
124	16 <sup>3</sup> / <sub>8</sub> x 18 <sup>3</sup> / <sub>8</sub>	Rectangle	133	32 <sup>3</sup> / <sub>8</sub> x 21 <sup>1</sup> / <sub>4</sub>	Rectangle
49	19 <sup>7</sup> / <sub>8</sub> x 17 <sup>7</sup> / <sub>8</sub>	Rectangle	3	32 <sup>3</sup> / <sub>8</sub> x 21 <sup>3</sup> / <sub>8</sub>	Rectangle
228	20 <sup>5</sup> / <sub>8</sub> x 16 <sup>3</sup> / <sub>8</sub>	Rectangle	1	32 <sup>1</sup> / <sub>2</sub> x 21 <sup>1</sup> / <sub>8</sub>	Rectangle
123	21 <sup>1</sup> / <sub>2</sub> x 16 <sup>3</sup> / <sub>4</sub>	Rectangle	75	32 <sup>1</sup> / <sub>2</sub> x 21 <sup>3</sup> / <sub>8</sub>	Rectangle
35	21 <sup>1</sup> / <sub>2</sub> x 17	Rectangle	132	32 <sup>1</sup> / <sub>2</sub> x 21 <sup>1</sup> / <sub>2</sub>	Rectangle
94	22 <sup>3</sup> / <sub>8</sub> x 18	Rectangle	59	33 <sup>3</sup> / <sub>4</sub> x 20 <sup>3</sup> / <sub>4</sub>	Rectangle
137	23 <sup>1</sup> / <sub>16</sub> x 20 <sup>13</sup> / <sub>16</sub>	Rectangle	0	Custom	Check Pricing
12	23 <sup>5</sup> / <sub>8</sub> x 20 <sup>5</sup> / <sub>8</sub>	Rectangle			



## LAMINATE SHEETS

(PRICES ARE PER SQ. FT.)

Forming Grade

GROUP 0

\$4.64

GROUP 1

\$4.64

GROUP 2

\$5.44

GROUP 3

\$5.80

GROUP 4

\$8.00

### STOCKED COLORS - AVAILABLE SIZES -

30" x 48"-60"-72"

30" x 96"

48" x 96"

30" x 120"

60" x 144"

30" x 144"

if not listed, check availability

### ALL OTHER COLORS

check for size availability

some laminates are made in limited sizes

Rippings available in the following sizes:

2" x 8'-10'-12'

6" x 8'-10'-12'

Vertical Grade and Color Through Laminate ..... Call For Sizes & Prices

Edge Banding, 2" wide (priced per LINEAL ft.) ..... \$1.50

Brown Backer (60 x 96 & 60 x 144 ONLY) ..... Per Sq. Ft. .... \$2.50

Chemical Resistant ..... Call for pricing

Metallics ..... Call For Sizes & Prices

Splining Laminate (1/10th" Thick) ..... Per Sq. Ft. .... \$10.22

**\*\* Minimum quantities may apply on some colors**

**NOTE: NO Returns on non-stock colors. STOCK colors subject to a 20% restocking charge.**

**Cut or damaged pieces cannot be accepted.**

## ROUND TABLE TOPS

(Prices are per piece)

Group 0

Group 1

Group 2

Group 3

Group 4

**3/4", or 1-1/8"**

Up to 29" Diameter

\$321.66

\$326.46

\$334.86

\$341.46

\$360.18

29-1/4" to 48" Diameter\*

\$393.10

\$399.50

\$410.70

\$419.50

\$444.46

48-1/4" to 60" Diameter\*

\$467.10

\$483.10

\$511.10

\$533.10

\$595.50

**1-1/2" edge and 1-1/2" w/filler**

Up to 29" Diameter

\$434.16

\$438.96

\$447.36

\$453.96

\$472.68

29-1/4" to 48" Diameter\*

\$505.60

\$512.00

\$523.20

\$532.00

\$556.96

48-1/4" to 60" Diameter\*

\$579.60

\$595.60

\$623.60

\$645.60

\$708.00

\* Backer is required for tops that exceed 36" in width when temperature and humidity levels are elevated. Orders requested without backer will void warranty coverage.

Apply Backer to Bottom ..... 6" increments will be used ..... add ..... \$2.44

### PVC UPCHARGE

Up to 29" Diameter ..... add ..... \$16.00

29-1/4" to 48" Diameter ..... add ..... \$26.00

48-1/4" to 60" Diameter ..... add ..... \$32.00

**BAR TOP W/ GLASS RAIL** (4" Glass Rail with backer) (Ref 132) ..... call for pricing



**MISCELLANEOUS**

Assembled Miters (When shipping permits) .....	\$96.00
Cap backside of backsplash (Per lineal foot).....	\$9.66
Edgeband Applied (Per lineal foot) .....	\$6.44
Counter tops fabricated with:	
<b>SkyBlend Particle Board</b>	
Ultra Low Emitting Formaldehyde (ULEF) or Moisture Resistant (MR10) .....(Per Square Foot).....	\$2.80
<b>Med Ex</b>	
Made w/ MDF board not Particle board Required around Apron / Farm sinks	
Moisture Resistant (MR50) & (ULEF).....(Per Square Foot) .....	\$4.68
<b>Plywood</b> .....(Per Square Foot).....	\$5.78
Wall Brackets .....	(Ref Page 70) .....
	Curved: \$157.60
	Straight: \$130.26
Seam fill (per tube) .....	\$11.48
Seam fill Solvent (1/2 pint can).....	\$21.00
Seam fill Solvent (Quart can).....	\$62.58
Grommets	
1-1/2" or 2-1/2" Round Grommets (opg. size).....	\$13.76
1-5/8" x 12" Paper Grommets (opg. Size).....	\$48.24
All Grommets Installed .....	\$61.76
Labor for arc on back side of island up to 4' .....	(For capped back or square edge only) .....
	\$150.00
island up to 6' .....	(For capped back or square edge only) .....
	\$200.00
island up to 8' .....	(For capped back or square edge only) .....
	\$250.00
island up to 10'.....	(For capped back or square edge only) .....
	\$300.00
island up to 12'.....	(For capped back or square edge only) .....
	\$350.00
3/4" Particle Board (stock sizes, Priced per square foot).....	\$2.42
1-1/8" Particle Board (60 x 96 & 30 x 144), Priced per square foot.....	\$3.14
Padding Strips (loose) 3/4" x 2-9/16" x 8', 10' or 12'.....(Per lineal foot) .....	\$0.76
MR/ULEF Padding Strips (loose) 3/4" x 2-9/16" x 8', 10' or 12'.....(Per lineal foot) .....	\$0.98
Padding Strips Attached.....(Per lineal foot) .....	\$3.84
Padding Strips Attached using MR / ULEF material.....(Per lineal foot) .....	\$4.06
Build Down Sticks 3/4" x 1" .....	(Per lineal foot) .....
	\$0.38
Build Down Sticks w/Backer 3/4" x 1".....(Per lineal foot).....	\$0.58
Scribe Sticks 1/2" x 3/4" .....	(Per lineal foot) .....
	\$0.72
Miter Bolts Priced per piece.....	\$0.63
Credit Allowed For Customer Furnished Laminate .....	call for credit allowed

**CARTONING CHARGES** (does not include shipping charges)

Laminate	
30" or 48" wide, per carton .....	\$27.68
60" wide, per carton.....	\$34.40
Counter Tops Carton Charges.....Priced per lineal foot.....	call for price



KARRAN SINKS

Undermount sinks will have extended lead time, normally one extra week

18 Gauge, Type 304 Stainless w/ Satin Finish

300 SERIES

CODE	DESCRIPTION	INSTALLED PRICE
<b>DOUBLE BOWL</b>		
E-360R (stock)	Off Set w/ small bowl right	\$1,271.62
E-350 (stock)	Equal bowls on both sides	\$1,212.80
<b>SINGLE BOWL SINK</b>		
E-340	Large single bowl	\$1,203.44
E-330	Medium bowl / D-shaped	\$1,006.80
E-320	Medium bowl / Rectangular	\$989.46
E-315	Small bowl	\$756.01
E-312	Small bowl	\$795.87
E-310	Small bowl	\$777.93
<b>VANITY BOWL</b>		
E-309	Rectangular Shape	\$761.56
E-305	Round Shape (ADA)	\$755.50
E-303	Flat Back / Oval (ADA)	\$773.70

400 SERIES

CODE	SINGLE BOWL SINK	
E-440	Large bowl / Rectangular	\$1,305.12
E-420	Medium bowl / Rectangular	\$998.06
E-415	Small bowl / Rectangular (ADA)	\$763.01
E-410	Small bowl / Rectangular	\$763.01

500 SERIES

CODE	DOUBLE BOWL	
E-560L	Off Set w/ small bowl left	\$1,608.42
E-560R	Off Set w/ small bowl right	\$1,608.42
E-550	Equal bowls on both sides	\$1,643.62
<b>SINGLE BOWL SINK</b>		
E-540	Large single bowl / Rectangular	\$1,426.16
E-528	Rectangular Laundry Sink	\$1,292.32
E-525	Medium single bowl / Rectangular (ADA)	\$1,113.22
E-520	Medium single bowl / Rectangular	\$1,221.96
E-510	Small single bowl / Rectangular	\$1,048.96
<b>VANITY BOWL</b>		
E-505D	Small single bowl / Square / Slanted (ADA)	\$847.48

ACCESSORIES

CODE		
SBS (stock)	3-1/2" Standard Basket Strainer	\$52.50
WC7	7" Waste chute	\$370.80
WC9	9" Waste chute	\$393.08

## KARRAN EDGE SINKS

*Undermount sinks will have extended lead time, normally one extra week*

Available Colors: White, Bisque, Grey, Concrete, Brown, Black

### QUARTZ SERIES

CODE	DESCRIPTION	INSTALLED PRICE
<b>DOUBLE BOWL</b>		
Q360R	Off Set w/ small bowl right	\$1,125.16
Q350 (stock)	Equal bowls on both sides	\$1,085.34
<b>SINGLE BOWL SINK</b>		
Q-340	Large bowl	\$1,193.86
Q-320	Medium bowl / Rectangular	\$1,044.44
Q-315	Small single bowl (Square)	\$831.18
Q-309	Small single bowl (Rectangular)	\$691.00
Q-306	Oval vanity bowl	\$649.30

**Available Colors: White, Bisque, Grey, Concrete, Brown, Black**

### ACCESSORIES

3-1/2" Standard Basket Strainer	\$47.88
Universal Disposal Flange & Stopper	\$51.08

**Available Colors: White, Bisque, Grey, Concrete, Brown, Black**

QLO	Luster Pro cleaning oil (8 fl. Oz.)	\$47.18
-----	-------------------------------------	---------

### PICTURES AND SPECIFICATIONS FEATURED ONLINE





## KARRAN ACRYLIC SINKS

Available Colors; Bisque and White

### ACRYLIC SERIES

### DESCRIPTION

#### CODE

#### DOUBLE BOWL

#### INSTALLED PRICE

A370.....	(Equal bowls on both sides).....	\$974.98
A360R.....	(Offset double bowl - Large bowl on left/small bowl on right).....	\$974.98
A350.....	(Equal bowls on both sides).....	\$974.98

#### SINGLE BOWL SINK

A340.....	(Extra Large bowl).....	\$974.98
A320.....	(Medium bowl).....	\$816.74
A315.....	(Small bowl / Bar Sink).....	\$636.48

#### VANITY SINK

A309.....	Rectangular (ADA).....	\$617.98
A306.....	Oval (ADA).....	\$564.38

Available Colors: Bisque, White

## ACCESSORIES

#### CODE

BBS or WBS.....	3-1/2" Standard Basket Strainer.....	\$47.88
BUDF or WUDF.....	Universal Disposal Flange & Stopper.....	\$51.08

Available Colors: Bisque, White

PICTURES AND SPECIFICATIONS FEATURED AT

[WWW.COUNTER-FORM.COM](http://WWW.COUNTER-FORM.COM)



FARM SINK CUTOUT AND CAPPED CUTOUT WAIVER AND RELEASE

CUSTOMER: \_\_\_\_\_ PO NUMBER: \_\_\_\_\_

**Counter-Form does not recommend capped cutouts for Farm/Apron or Undermount sinks. Countertops with a Farm/Apron or Capped sink cutout will not be warrantied by Counter-Form.**

If you proceed:  
Counter-Form requires all countertops with a Farm/Apron Sink or Capped cutout to be manufactured with Med-Ex core. These materials will add an extra moisture resistance to the countertop.

**This does not make the top waterproof.**

The countertop core will still swell if exposed to moisture for an extended period of time. Faucet holes must be siliconed before the faucets are installed.

If Farm/Apron Sink -- Counter-Form will need the sink with the reveal clearly indicated. Other sinks, the sink template is preferred to be sent to Counter-Form with the reveal clearly indicated. If no template is available, Counter-Form will need the sink with the reveal clearly indicated.

List prices are as follows: \* allow additional 1-2 week lead time \*  
Med-Ex core.....add.....\$4.68/per Square Foot

The undersigned acknowledges and agrees to the above terms and conditions.

Customer First & Last Name (PRINT) \_\_\_\_\_

Customer First & Last Name (SIGNED) \_\_\_\_\_

NOTE:  
COUNTERTOPS WILL NOT GO INTO PRODUCTION UNTIL WAIVER IS RETURNED WITH AUTHORIZED SIGNATURE.



**UNDERMOUNT SINK IN DIAGONAL SINK CABINET WAIVER AND RELEASE**

CUSTOMER: \_\_\_\_\_ PO NUMBER: \_\_\_\_\_

**Counter-Form does not recommend the installation of our undermount sinks in a diagonal sink cabinet, when ordering a postformed edge.**

The sinks are installed across miters and water damage may occur.

Tops may also have to be picked up.

**Counter-Form will not warranty the tops or be responsible for the handling OR installation of sink tops once they are off our delivery truck.**

The Applied Edge would be an option to eliminate miters in the sink area.

The undersigned acknowledges and agrees to the above terms and conditions.

Customer First & Last Name (PRINT) \_\_\_\_\_

Customer First & Last Name (SIGNED) \_\_\_\_\_

NOTE:

COUNTERTOPS WILL NOT GO INTO PRODUCTION UNTIL WAIVER IS RETURNED WITH AUTHORIZED SIGNATURE.





### MANUFACTURER'S WARRANTY

Wood is a natural material, sensitive to environmental humidity. It will move considerably in response to extremes in surrounding conditions. Just as no two trees are alike, no two pieces of wood used in the fabrication of our tops reacts exactly as another. As with any natural wood product, our butcher block tops can expand and contract in response to the particular environment in which they are located. It is important that a stable humidity of 35% to 45% is maintained in order to insure continuous stability.

Wood also has naturally occurring variations of color. This is not considered a manufacturing defect but instead is viewed as part of the unique beauty of this natural product.

It should be noted that it is the responsibility of the receiver to closely inspect all product before accepting any shipment. Additionally, it is the responsibility of the installer to inspect the product prior to installation. Any manufacturer's defects should be immediately brought to Counter-Form's attention. Failure to do so could affect the outcome of any claim. Counter-Form cannot be held responsible for errors in installation or alteration.

Counter-Form's Butcher Block product is warrantied for a period of 1 year against manufacturer's defects. The product is not warrantied if modified in any way. The warranty is also void if at the request of the purchaser, we ship an unfinished block. Since Counter-Form has no control over the environment, timing of the installation or the conditions in which the block is stored, we cannot be responsible for a natural reaction of the unfinished wood to its surroundings.

Warranty covers materials only. **Labor costs will not be covered.**

Sink or cook top cutouts must be completed by Counter-Form in order to maintain warranty.

A sink cutout is usually associated with increased moisture; therefore, regardless of whether the sink is drop-in or under mounted, the edge grain of the sink cutout must be carefully sealed. The sink's edges must be caulked properly, in order to prevent water infiltration between the sink and the wood surface.

Counter-Form reserves the right to qualify any claim on our products and does not include or consider labor or other non-material charges as part of the claim.

### IMPORTANT MITER NOTES & SUGGESTED ASSEMBLY

- All miters will have splines and miter bolts unless otherwise specified
- All miters will be treated with the same oil as applied to the top surface. Polyurethane-base varnish can be used if requested.
- Miters can be assembled 3 recommended ways:
  1. Silicone – gives you a flexible joint
  2. White glue – gives you a ridged joint
  3. Nothing – joint can be corrected if wood shifts

### CARE & MAINTENANCE

1. To kill bacteria, often left behind by raw meat, with bleach. Add one tablespoon of bleach into one gallon of warm water.
2. Remove tough stains from butcher block by pouring lemon juice on the surface and letting it soak for several seconds.
3. Maintain oiled butcher block with non-toxic oil treatments on a weekly basis or whenever you notice the wood drying or color fading. Coat the butcher block with oil, let sit for five minutes then wipe away the remainder with a paper towel or cotton cloth. Wait 12 hours before using the butcher block.
4. Clean oiled butcher block on which food is not usually prepared, with water and gentle soap. Wipe dry with a soft towel. Butcher block finished with a polyurethane-base does not need oil treatments.
5. Avoid harsh detergents, chemicals, direct sunlight, and puddles of standing water. Sand out light scratches, dents and dings with high grit sandpaper. Recondition or oil when wood gets dull or shows signs of cracking or aging.

### SPECIAL TIPS

1. If a dishwasher is installed underneath a butcher block countertop, a moisture barrier must be applied to the bottom side of the top, in order to give additional protection against heat and moisture.
2. Ideally, butcher block should be stored flat against the ground. Do not store the butcher block outdoors, in an excessively dry or moist environment, or near a heat source.
3. Conditions that will cause problems:
  - A) Humidity in the room is below 35% (too dry).
  - B) Area is heated with a wood burner.
  - C) Butcher block is installed near a heat source.
  - D) Constant exposure to direct sunlight.





Company Name: \_\_\_\_\_

PO #: \_\_\_\_\_

### SINGLE WOOD SPECIES - SELECT ONE

- Alder
- American Cherry
- Hickory
- Natural Maple
- Red Oak
- Rustic Maple
- Walnut
- White Oak
- Yellow Birch

### CONSTRUCTION STYLE - SELECT ONE

- Uniblock 1-1/2" Thickness
- Uniblock 2" Thickness
- Uniblock 3" Thickness
- Ecoblock 1-1/2" Thickness  
(only available in Rustic Maple and Walnut)
- Gourmet 1-1/2" Thickness
- Gourmet 2" Thickness
- Gourmet 3" Thickness

### EDGE PROFILE - SELECT ONE

- Hand Eased - N/C - All Edges Unless Noted
- 3/16" Roundover - Top Only
- 3/16" Roundover - Top & Bottom
- 1/2" Roundover - Top Only
- 1/2" Roundover - Top & Bottom
- 1/4" Bevel - Top Only
- 1/4" Bevel - Top & Bottom

### FINISH - SELECT ONE

- Oil - N/C - Both Cutting And Non Cutting Surface  
(Maintenance Required)
- PreFinish Clear - ADD \$40 / sqft to price  
- Allow additional lead time (Maintenance Free)
- No Finish - Voids Warranty

### CARE & MAINTENANCE

- Pint - (16oz) Refurbishing Oil

### Option Codes - Indicate All That Apply On Your Sketch

D = Depth  
 CC = Clipped Corners  
 BS = Backsplash

X = No Work Needed (For Edges That Butt Up To Walls)  
 L = Length  
 RD = Radius Corners  
 F = Finished Edges

Special Instructions:

Use This Space For A Sketch Of Your Requirements - Use The CODES Above.


Length

Depth

Depth \_\_\_\_\_

Length \_\_\_\_\_



**Lead times could be extended,  
please allow at least 3-4 weeks for delivery.**

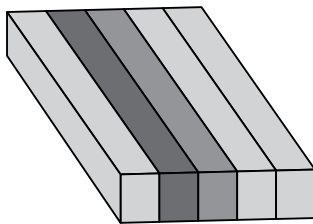
Please note: 22 Sq Ft or More  
Add \$200.00 Handling Charge Weight Related

### UNIBLOCK

(most common)

Available in all species

**Maximum Length 144"**



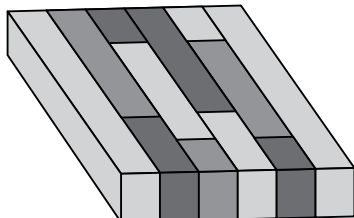
May be used for cutting

### ECOBLOCK

Available in Rustic Maple  
and Walnut only

**Minimum Length 36"**

**Maximum Length 144"**



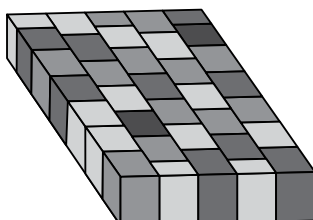
May be used for cutting

### GOURMET

Available in all species

**Maximum Width 40"**

**Maximum Length 96"**



Best recommended for cutting

### WIDTH UP TO 42" OR LENGTH UP TO 120"

Species	1-1/2" THICK	2" THICK	3 THICK
Maple (Uniblock)	\$79.60	\$92.30	\$141.86
Maple (Ecoblock) <small>Rustic Maple Only</small>	\$79.60	N/A	N/A
Maple (Gourmet)	\$84.82	\$98.60	\$152.24
Walnut (Uniblock)	\$157.82	\$186.18	\$296.74
Walnut (Ecoblock)	\$157.82	N/A	N/A
Walnut (Gourmet)	\$218.55	\$259.04	\$416.96
Red Oak (Uniblock)	\$71.75	\$82.90	\$126.32
Red Oak (Gourmet)	\$92.28	\$107.50	\$166.94
White Oak (Uniblock)	\$91.46	\$106.54	\$165.34
White Oak (Gourmet)	\$136.76	\$160.90	\$255.06
Cherry (Uniblock)	\$85.47	\$99.36	\$153.48
Cherry (Gourmet)	\$127.16	\$149.40	\$236.04
Hickory (Uniblock)	\$82.48	\$95.76	\$147.58
Hickory (Gourmet)	\$123.40	\$144.88	\$228.60
Knotty Alder (Uniblock)	\$63.72	\$73.22	\$110.40
Knotty Alder (Gourmet)	\$93.02	\$108.42	\$168.46
Yellow Birch (Uniblock)	\$69.09	\$79.70	\$121.04
Yellow Birch (Gourmet)	\$88.64	\$103.14	\$159.76

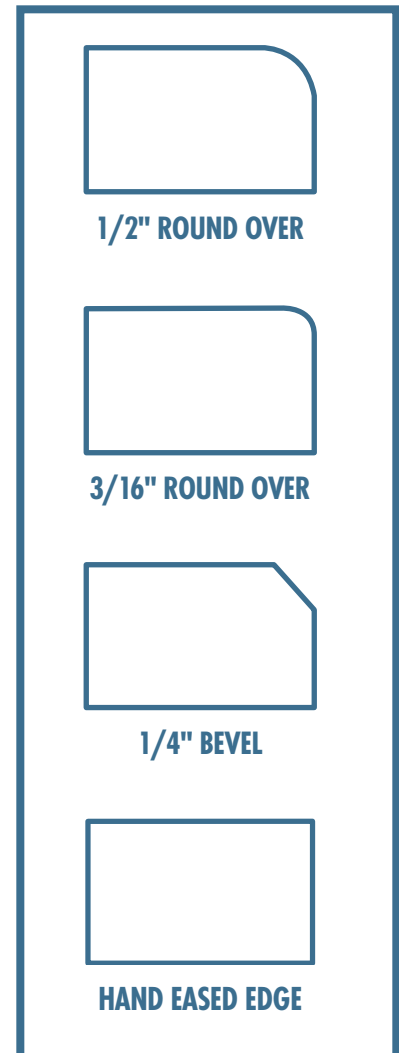
**Lead times could be extended, please allow at least 3-4 weeks for delivery.**

Please note: 22 Sq Ft or More  
Add \$200.00 Handling Charge Weight Related

## WIDTH OVER 42" OR LENGTH OVER 120"

Species		\$/sqft	\$/sqft	\$/sqft
		1-1/2" THICK	2" THICK	3 THICK
Maple (Uniblock)		\$93.50	\$109.00	\$169.44
Maple (Ecoblock)	Rustic Maple Only	\$93.50	N/A	N/A
Maple (Gourmet)		\$130.66	\$153.56	\$242.96
Walnut (Uniblock)		\$209.12	\$247.72	\$398.30
Walnut (Ecoblock)		\$209.12	N/A	N/A
Walnut (Gourmet)		\$242.18	\$287.40	\$463.78
Red Oak (Uniblock)		\$99.86	\$116.60	\$181.94
Red Oak (Gourmet)		\$114.56	\$134.24	\$211.06
White Oak (Uniblock)		\$130.72	\$153.64	\$243.08
White Oak (Gourmet)		\$150.84	\$177.80	\$282.94
Cherry (Uniblock)		\$122.71	\$144.04	\$227.24
Cherry (Gourmet)		\$138.27	\$162.70	\$258.02
Hickory (Uniblock)		\$118.74	\$139.24	\$219.40
Hickory (Gourmet)		\$134.12	\$157.72	\$249.82
Knotty Alder (Uniblock)		\$88.22	\$102.62	\$158.90
Knotty Alder (Gourmet)		\$100.30	\$117.16	\$182.88
Yellow Birch (Uniblock)		\$95.86	\$111.80	\$174.06
Yellow Birch (Gourmet)		\$109.86	\$128.62	\$201.78

## EDGE PROFILE OPTIONS





### ADDITIONAL BUTCHER BLOCK OPTIONS

BACKSPLASH (actual size 1"x4")..... (1 piece board, no glue joints) .....	\$2.00 per lin. inch
BUTCHER BLOCK OIL	
PINT-16oz.....	\$28.80
Oil Finish (Standard finish - No Charge) Maintenance Required	
PreFinish Clear (Allow Additional Lead Time) Maintenance Free - ADD \$40 per square foot to price	
No Finish (Voids Warranty)	

### FRONT EDGE PROFILES

**Per Lin. Inch (if island x2)**

Hand Eased Edge .....	Standard No Charge
3/16" Round Over	
Top Only.....	\$0.22
Top & Bottom.....	\$0.44
1/2" Round Over	
Top Only.....	\$0.38
Top & Bottom.....	\$0.76
1/4" Bevel	
Top Only.....	\$0.38
Top & Bottom.....	\$0.76

### FINISHED ENDS

Includes All profiles per end .....	\$37.00
Radius Corners or Clipped Corners (Example: 3" = 3"x3")	
1" - 4".....\$29.00	Over 4".....\$50.00
Round One End	
0" - 25" .....	\$106.00
26" - 42".....	\$178.00
Upcharge for Round Tables Tops	
0" - 25" .....	\$212.00
26" - 42".....	\$356.00
Cuts..... (per cut) .....	\$40.00
Miters..... (complete miter w/ bolts).....	\$288.00
Banjo Cuts..... (includes edge profile) .....	\$302.00
Drop in the Sink Cutout..... (cut per template) .....	\$198.00
Undermount/Apron Sink Cutout..... (cut per template and finished) .....	\$492.00