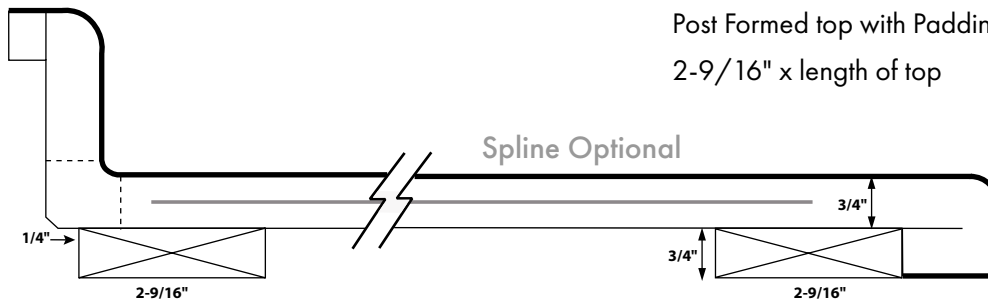


Spline insert

101

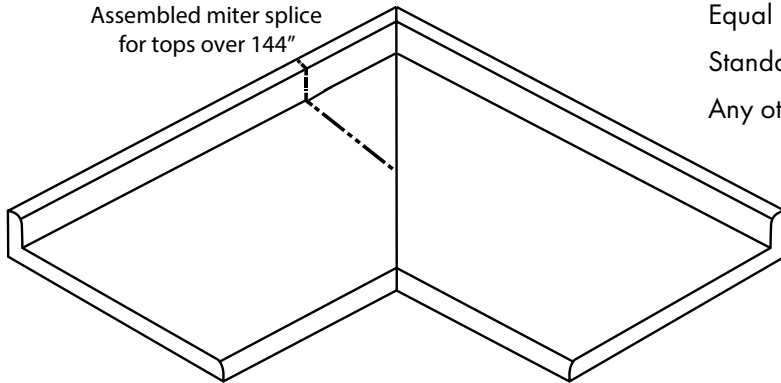
Post Formed Tri-Cove Top
Standard Kitchen 25-1/2" deep
Standard Vanity 22-1/2" deep
Special Depth 19" to 34"
Under 19" or over 34" deep requires screwed on backsplash



102

Post Formed top with Padding applied
2-9/16" x length of top

Assembled miter splice
for tops over 144"

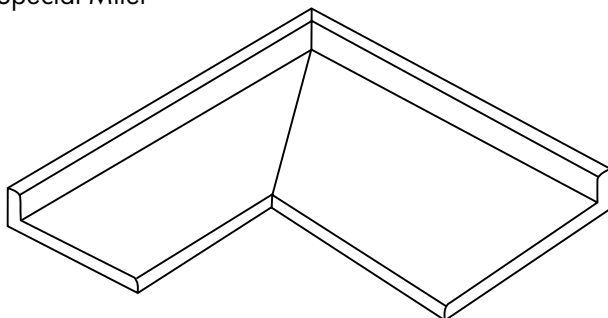


103

Equal Depth Tri-Cove Tops, mitered together
Standard Miter 90, 22-1/2 or 45 degrees
Any other degree is a special miter.

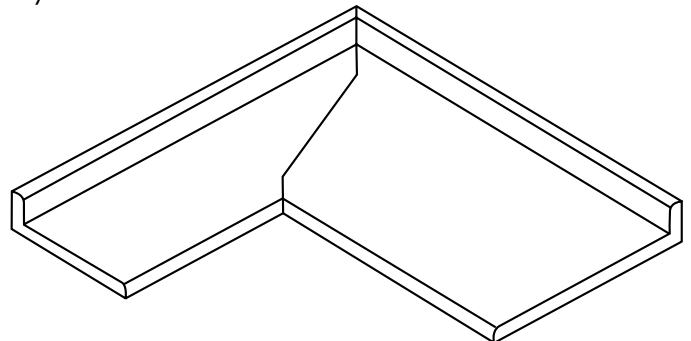
104

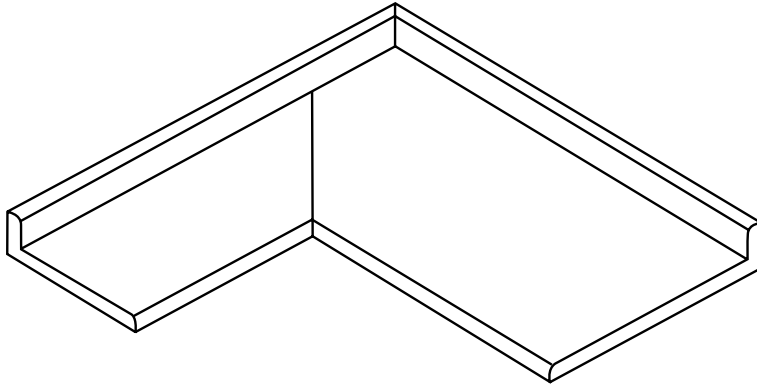
Different Depth, Tri-Cove Tops, mitered together
Special Miter



104Z

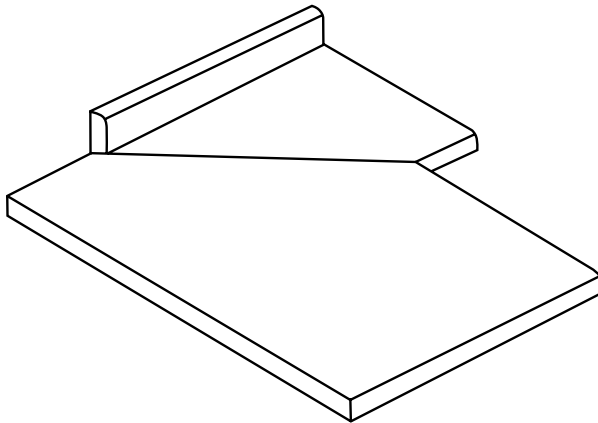
Depending on difference in depth,
may need Z-miter.



**105**

Different Depth Tri-Cove Tops, mitered together where one or both tops have a SCREWED-ON backsplash.

All are special miters.

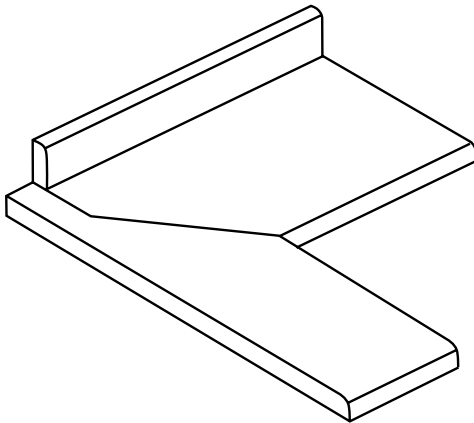
**106**

Tri-Cove Top, mitered to island top

Standard Miter 90, 22-1/2 or 45 degree

Any other degree is a special miter

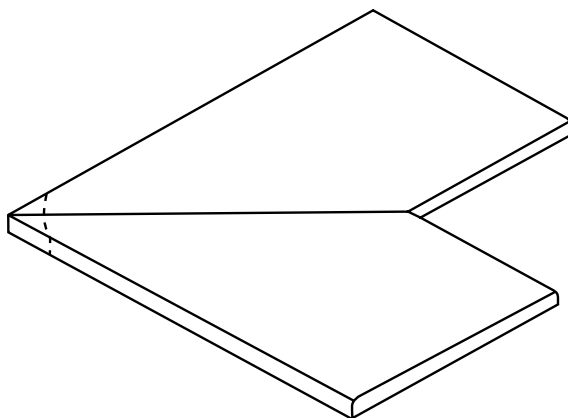
Nose Cap required on end of backsplash.

**107**

Dog Leg Miter

Tri-Cove Top, mitered to island top where island top is narrower than tri-cove top

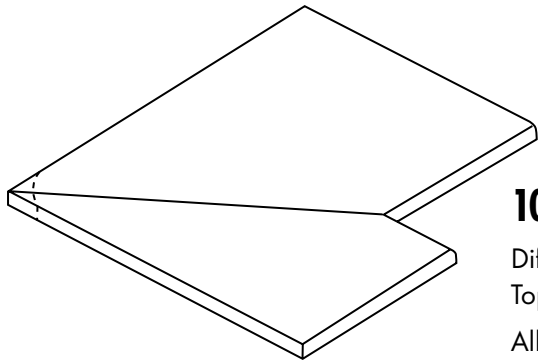
Nose Cap required on end of backsplash.

**108**

Equal Depth Island Tops, mitered together

Standard Miter 90, 22-1/2 or 45 degree

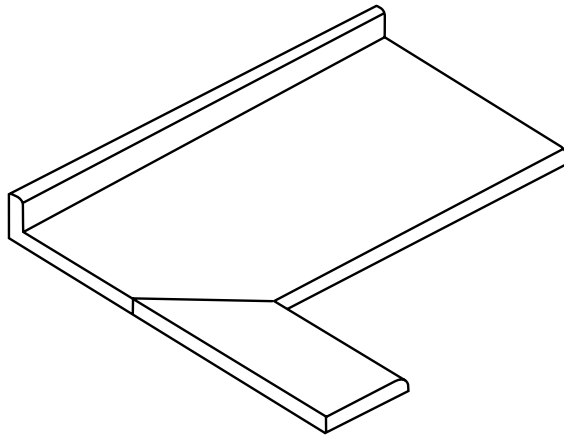
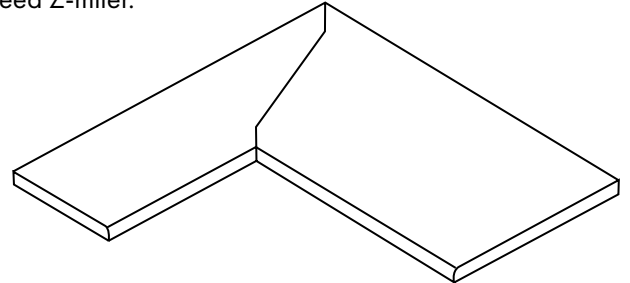
Any other degree is a special miter.



109
Different Depth Island
Top, Mitered Together
All are special miters.
Eased outside corner is
recommended.

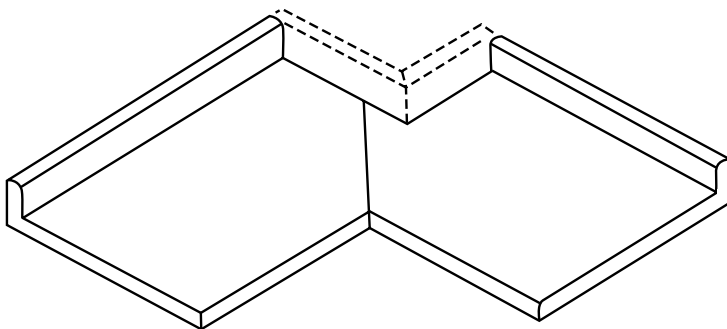
109Z

Depending on difference in depth, may
need Z-miter.



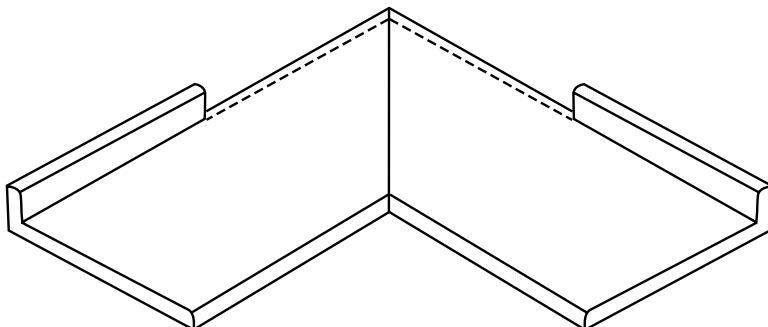
110

Tri-Cove Top, Mitered to Single Edge Top
Standard Miter 90, 22-1/2 or 45 Degrees
Any other degree is a special miter.



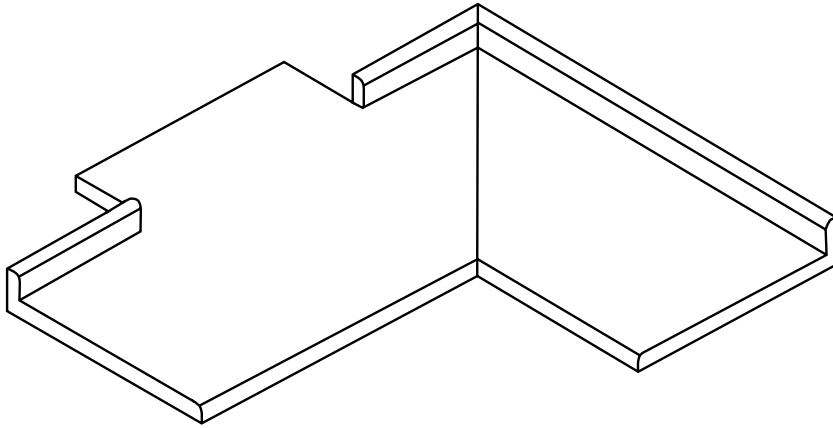
111

Chimney Notch
Available With or Without:
L-shaped Square Edge Splash or
L-shaped Rolled Splash (attached)



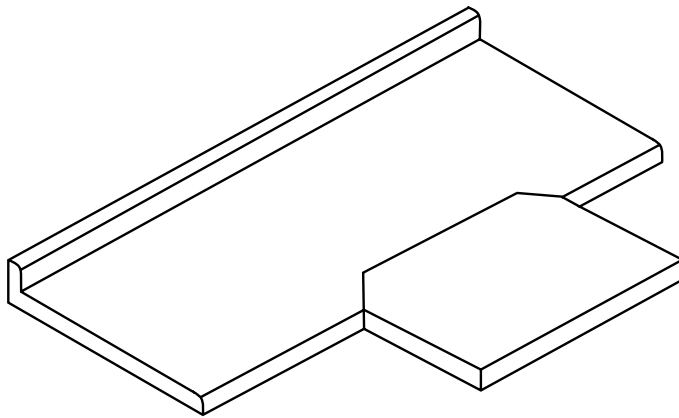
112

Notch and Fill-In
Backsplash is removed and top is filled in flat to wall.
Nose Cap required when end of backsplash is
exposed.



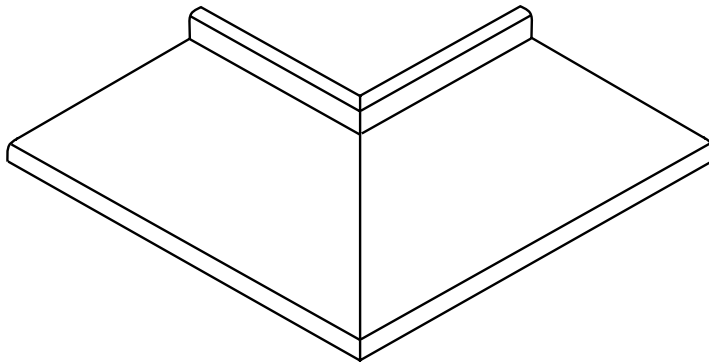
113

Notched and SCREWED ON Backsplash
Island Top is notched out and backsplash is screwed on.
Nose Cap required when end of backsplash is exposed.



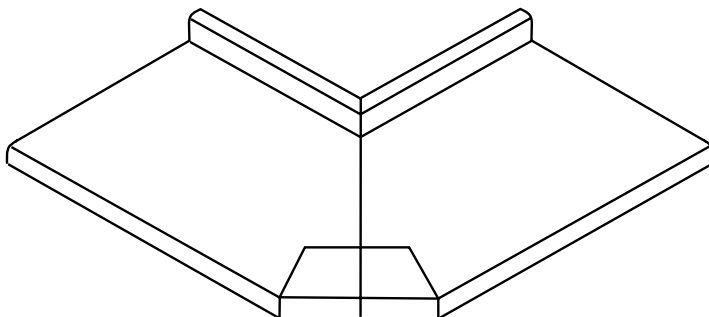
114

T-Splice
Island top miter to rolled edge of tri-cove top or another island top.



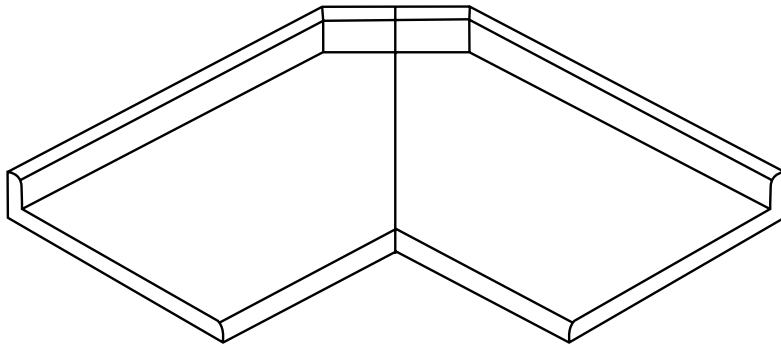
115

Reverse Miter
Equal Depth or Special Depth Tri-Cove Tops
Standard Miter 90, 22-1/2 or 45 Degree
Any other degree is a special miter



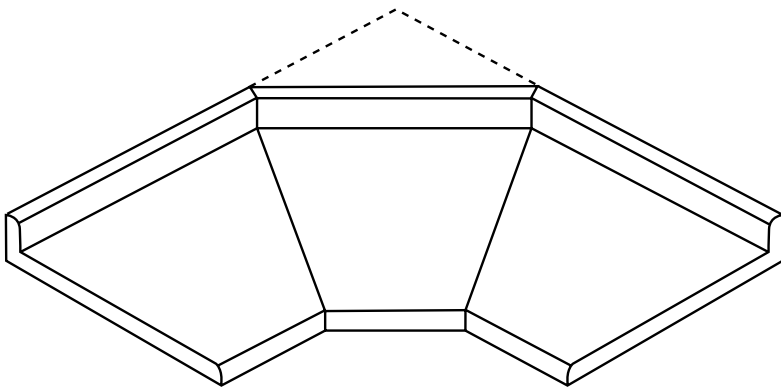
116

Diagonal Reverse Miter



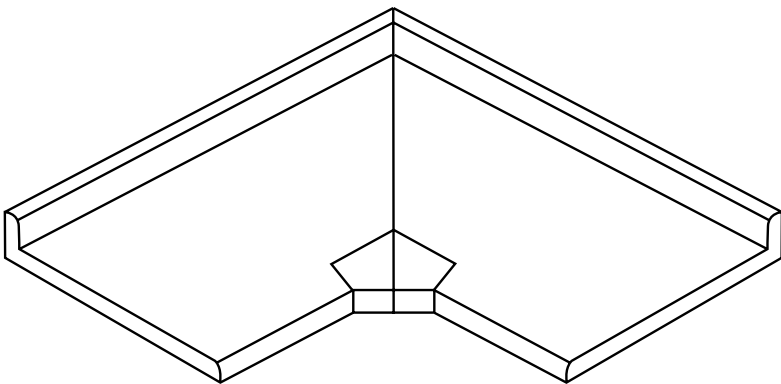
117

Diagonal Corner Wall
Diagonal splash is SCREWED ON.



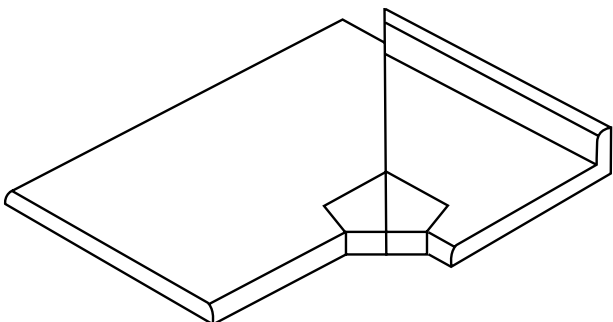
118

Standard Lazy Susan Corner
Standard Miter 22-1/2 Degree Cuts
Any other degree is a special miter.
If wall runs to corner, corner shelf is available.



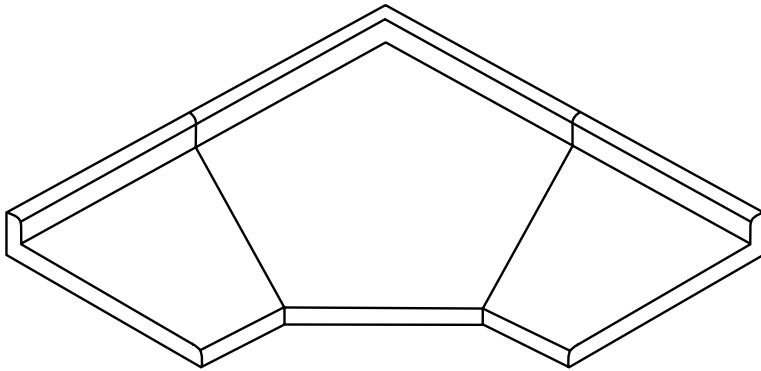
119

Notch and Fit Diagonal Front with no sink
Front edge come attached.



120

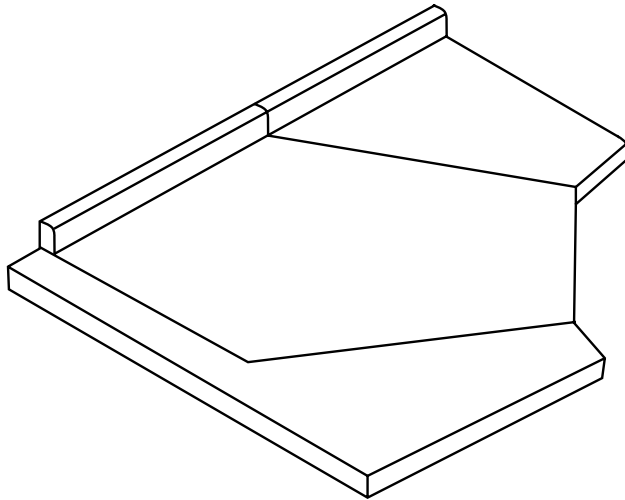
Notch and Fit Diagonal Front With Island Top and No Sink
Front edge come attached.
Nose cap is included.



121

C.F.C. Corner

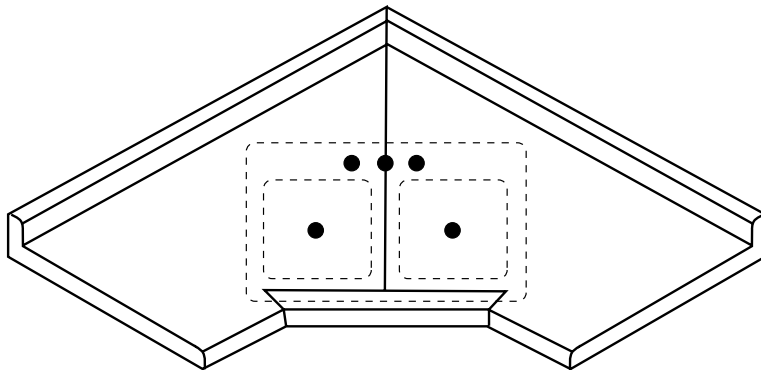
Center section comes SCREWED ON
backplash.



122

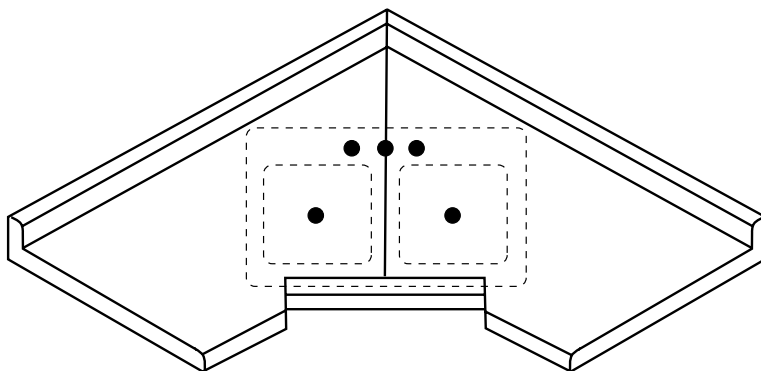
C.F.C. Corner With Island

Center section comes SCREWED ON
backplash.



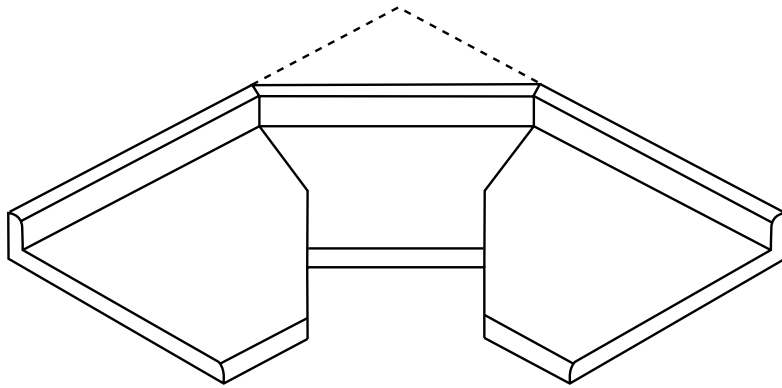
123

Notch and Fit Front Edge With Sink



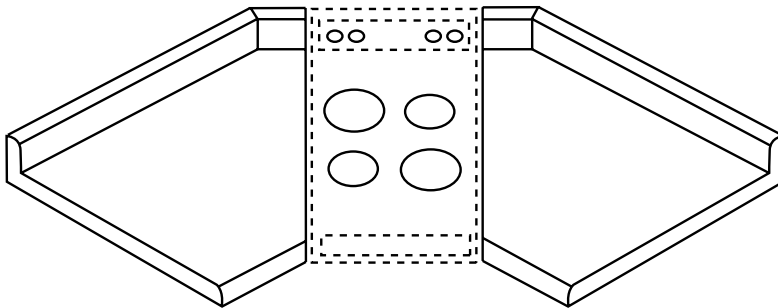
124

Notch and Fit Recessed Front Edge With Sink



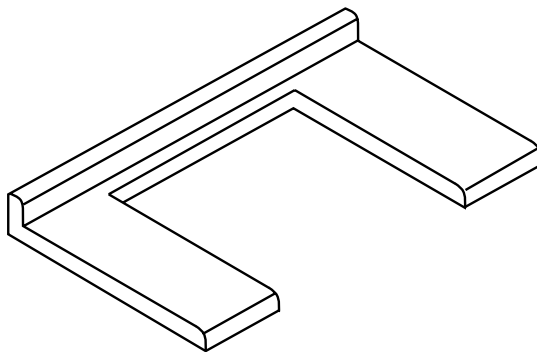
125

Lazy Susan With Recessed Front
If wall runs to corner, corner shelf is available.



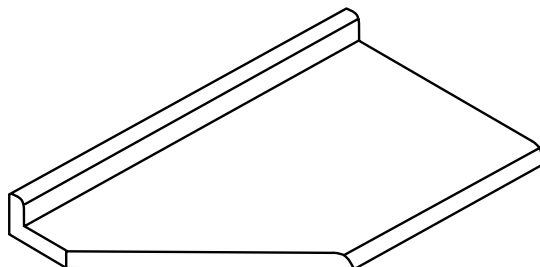
126

Diagonal Range
Diagonal splash is SCREWED ON.



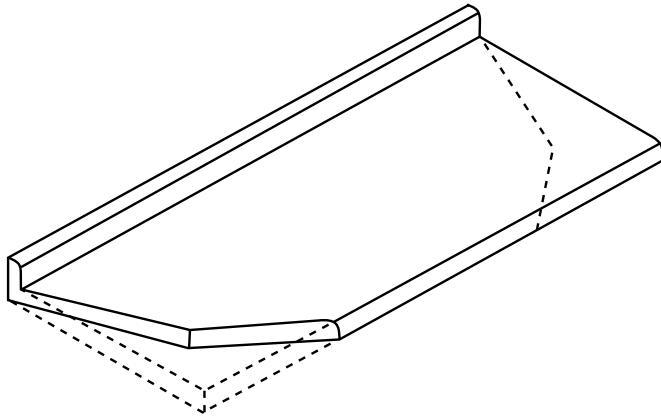
127

Stove Cut Out/3 Sided Cut Out
Cut out may have square or rounded corners.
Cut out may be capped or left raw.



128

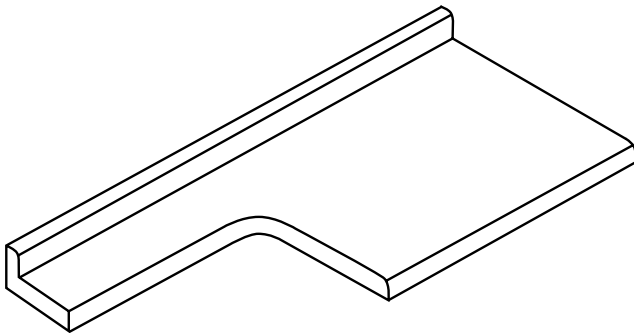
Angle Cut and Cap



129

Double Angle Cut and Cap

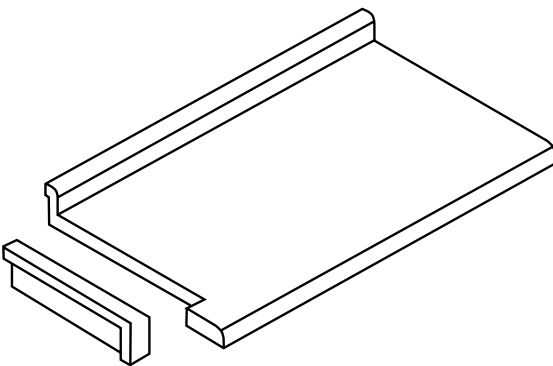
For use with angle corner base cabinet



130

Banjo Cut Out

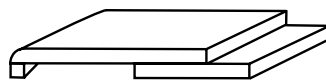
Cut out may have square or rounded corners.



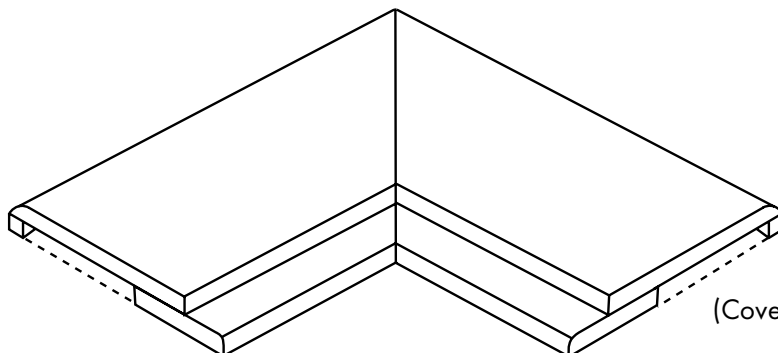
131

Notch for Square Edge End Splash

End splashes are not attached.



(Square Edge Glass Rail)



132

Bar Top with Screwed On Glass Rail

Available 3/4" With 1-1/2" Edge or 1-1/2" Solid

All with backer sheet applied.

(Coved Edge Glass Rail)

